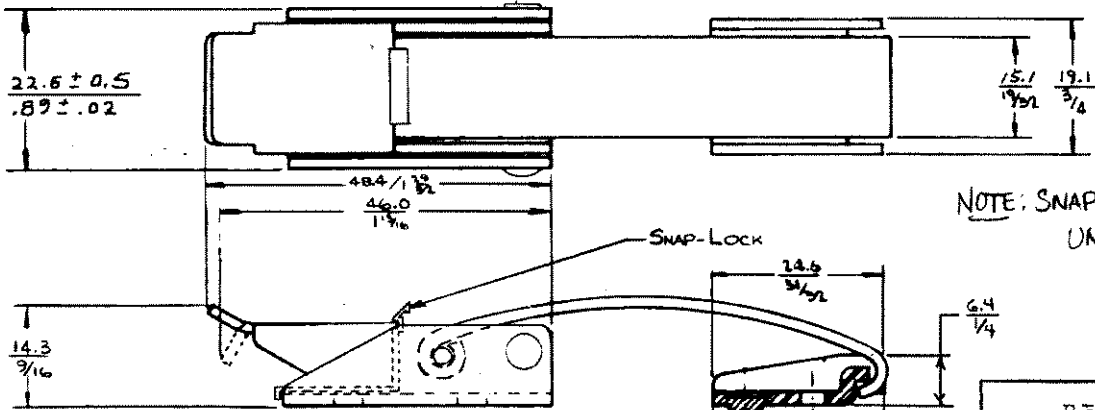
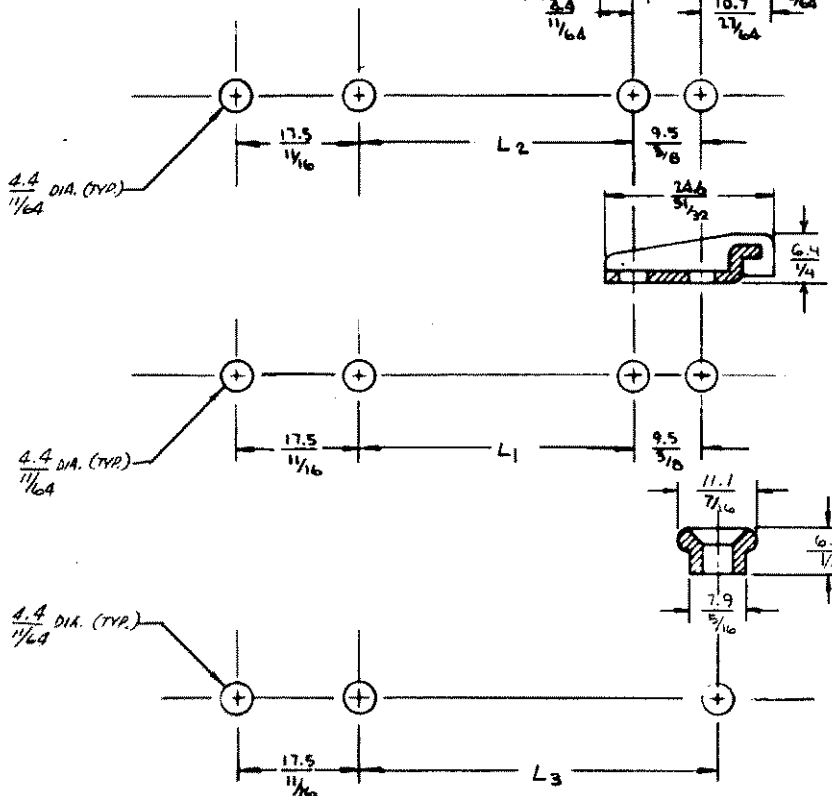


LEVER STYLE	SPRING RATING	SPRING LENGTH	KEEPER WITH TWO MOUNTING HOLES	L <sub>1</sub>	KEEPER WITH ONE LUG AND ONE HOLE	L <sub>2</sub>	BUTTON TYPE	L <sub>3</sub>
							KEEPER	
ACTUATING TAB UP	LIGHT DUTY	SHORT	97-50-111-2X	15.9 / 5/8	97-50-112-2X	15.9 / 5/8	97-50-113-2X	28.4 / 1 1/4
		MEDIUM	97-50-121-2X	28.5 / 7/8	97-50-122-2X	28.5 / 7/8	97-50-123-2X	42.1 / 1 3/4
		LONG	97-50-131-2X	41.3 / 1 1/2	97-50-132-2X	41.3 / 1 1/2	97-50-133-2X	54.8 / 2 1/8
	HEAVY DUTY	SHORT	97-50-151-21	15.9 / 5/8	97-50-152-21	15.9 / 5/8	97-50-153-21	28.4 / 1 1/4
		MEDIUM	97-50-161-21	28.5 / 7/8	97-50-162-21	28.5 / 7/8	97-50-163-21	42.1 / 1 3/4
		LONG	97-50-171-21	41.3 / 1 1/2	97-50-172-21	41.3 / 1 1/2	97-50-173-21	54.8 / 2 1/8
ACTUATING TAB DOWN	LIGHT DUTY	SHORT	97-50-211-2X	15.9 / 5/8	97-50-212-2X	15.9 / 5/8	97-50-213-2X	28.4 / 1 1/4
		MEDIUM	97-50-221-2X	28.5 / 7/8	97-50-222-2X	28.5 / 7/8	97-50-223-2X	42.1 / 1 3/4
		LONG	97-50-231-2X	41.3 / 1 1/2	97-50-232-2X	41.3 / 1 1/2	97-50-233-2X	54.8 / 2 1/8
	HEAVY DUTY	SHORT	97-50-251-21	15.9 / 5/8	97-50-252-21	15.9 / 5/8	97-50-253-21	28.4 / 1 1/4
		MEDIUM	97-50-261-21	28.5 / 7/8	97-50-262-21	28.5 / 7/8	97-50-263-21	42.1 / 1 3/4
		LONG	97-50-271-21	41.3 / 1 1/2	97-50-272-21	41.3 / 1 1/2	97-50-273-21	54.8 / 2 1/8

PART NUMBER SUFFIX- INDICATES MATERIAL & FINISH  
 21- LEVER, BASE, SPRING AND KEEPER- STEEL; ZINC PLATE, BRIGHT. PIN & RIVET- S/S; NATURAL  
 SNAP LOCK- STEEL, ZINC PLATE PLUS BLACK ORGANIC COATING.  
 22- LEVER, BASE AND SPRING- STAINLESS STEEL, PASSIVATE.  
 PIN AND RIVET- STAINLESS STEEL, NATURAL. SNAP LOCK- STAINLESS STEEL, BLACK ORGANIC COATING



NOTE: SNAP LOCK SHIPPED UNASSEMBLED.



**To Install**

While installing latch base, position turned down lip of snap-lock against rear edge of base to align mounting holes. Insert mounting screw or rivet through both parts.

snap-lock lip  
 snap-lock tab

To open, push snap-lock tab forward and lift latch lever.  
 To close, just push lever back down. snap-lock will spring to latched position.

mm  
INCH

PROPRIETARY ITEM- EXCEPT FOR USES EXPRESSLY GRANTED IN WRITING, INFORMATION DISCLOSED HEREON IS CONFIDENTIAL AND ALL RIGHTS, PATENT AND OTHERWISE, ARE RESERVED BY SOUTHCO, INC.

REV. A 4-20-84  
 REV. B 11-4-86  
 REV. C 1-22-90  
 REV. E 12-JAN-93

P.R.N. 97-24  
 P.R.N. 97-109  
 P.R.N. 97-150  
 P.R.N. S-1-0-3