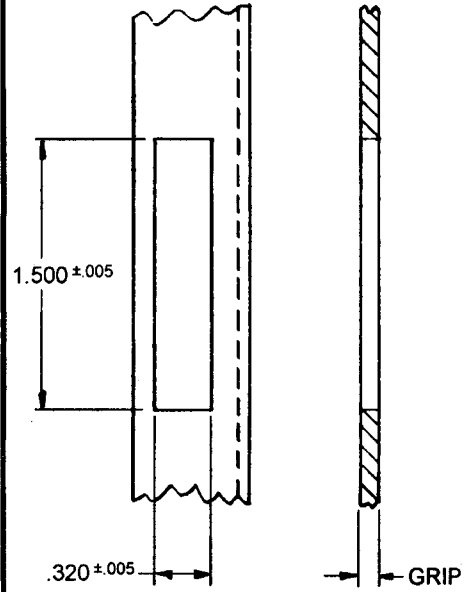


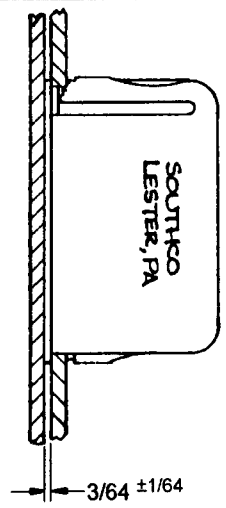
| REV. LET. | DATE | BY-CHKD | REVISIONS | LATCH PART NO. | GRIP | A | C |
|-----------|---------|---------|----------------|----------------|--------------|------|------|
| M | 13AUG96 | SWD | PRN: 02-96 | 02-10-101-20 | .020 TO .080 | .040 | 1.85 |
| N | 14JUL97 | SWD | PRN: 02-101 | 02-10-102-20 | .080 TO .140 | .100 | 1.82 |
| O | 29OCT97 | SWD | PRN: 02-101 A. | 02-10-103-20 | .140 TO .200 | .160 | 1.79 |
| | | | | | | | |
| | | | | | | | |

FRAME PREPARATION

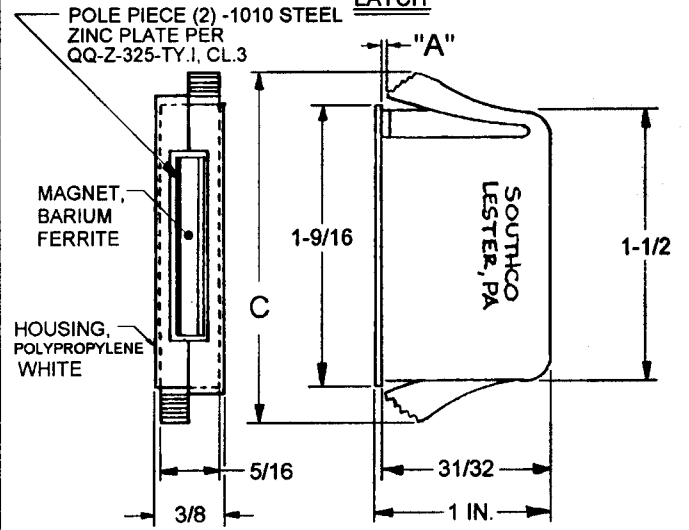


INSTALLATION - MAGNETIC DOORS

SNAP LATCH INTO HOLE IN FRAME & CLOSE DOOR

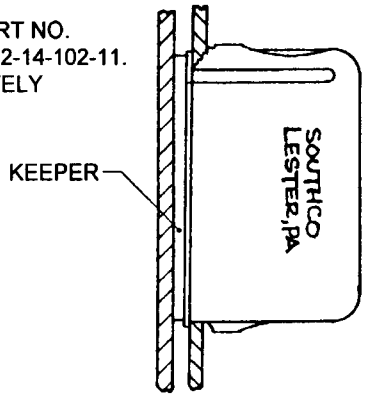


LATCH



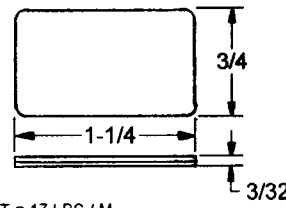
INSTALLATION - NON MAGNETIC DOORS

USE KEEPER, PART NO. 02-14-101-14 OR 02-14-102-11. ORDER SEPARATELY BY PART NO.



KEEPER - ADHESIVE BACKED

PART NO. 02-14-101-14
MATERIAL: 1010 STEEL
FINISH: ZINC PL. BRIGHT



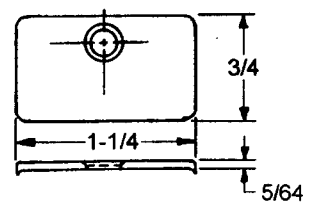
WEIGHT = 17 LBS / M.

REMOVE PROTECTIVE PAPER. POSITION KEEPER ON FACE OF INSTALLED LATCH AND CLOSE DOOR AGAINST ADHESIVE SURFACE OF KEEPER.

NOTE: MAKE SURE SURFACE OF DOOR IS CLEAN AND CAPABLE OF RETAINING A SATISFACTORY ADHESIVE BOND.

KEEPER - SCREW MOUNTED

PART NO. 02-14-102-11
MATERIAL: 1010 STEEL
FINISH: ZINC PL. PER QQ-Z-325-TY.1, CL.3



ATTACH WITH NO. 5 FLAT HEAD SCREW.