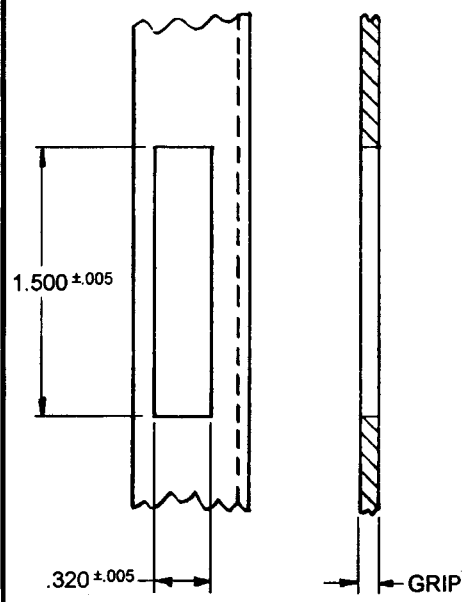


DATE	DRAWN	CHKD	SCALE	DRAWING NUMBER
9-27-67	WB	RHB	NTS	J-02-10-10-10

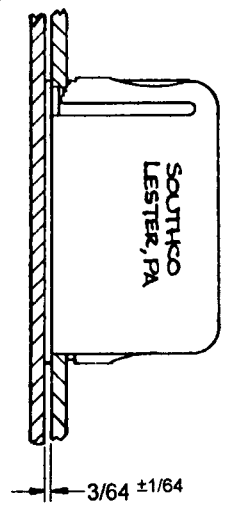
REV. LET.	DATE	BY-CHKD	REVISIONS	LATCH PART NO.	GRIP	A	C
K	9-9-88	XCB RJB	REDRAWN FOR CLARITY (SEE RECORD DWG)	02-10-101-10	.020 TO .080	.040	1.85
L	4-20-89	DWF XCB	ADDED 1/32 REF. AND 1 IN. REF.	02-10-102-10	.080 TO .140	.100	1.82
M	13AUG96	SWD	PRN: 02-96	02-10-103-10	.140 TO .200	.160	1.79
N	14JUL97	SWD	PRN: 02-101				
O	29OCT97	SWD	PRN: 02-101 A				

PANEL PREPARATION

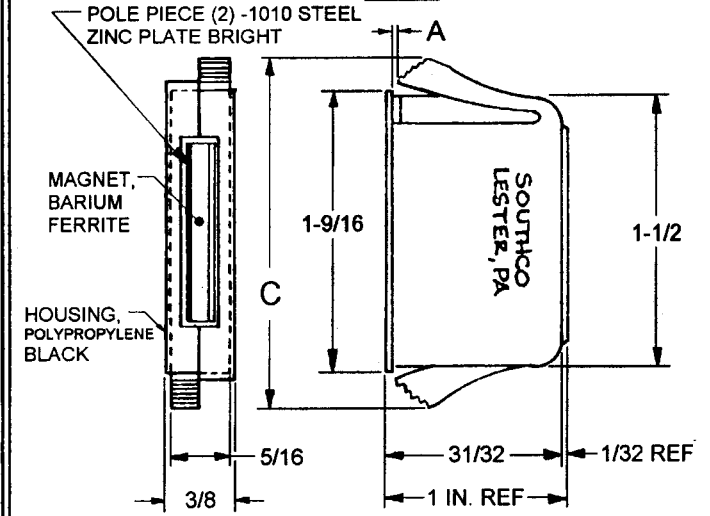


INSTALLATION - MAGNETIC DOORS

SNAP LATCH INTO HOLE IN FRAME & CLOSE DOOR

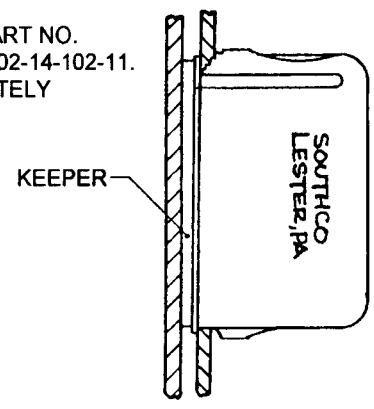


LATCH



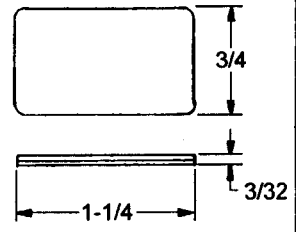
INSTALLATION - NON MAGNETIC DOORS

USE KEEPER, PART NO. 02-14-101-14 OR 02-14-102-11. ORDER SEPARATELY BY PART NO.



KEEPER - ADHESIVE BACKED

PART NO. 02-14-101-14
MATERIAL: 1010 STEEL
FINISH: ZINC PLATE - BRIGHT

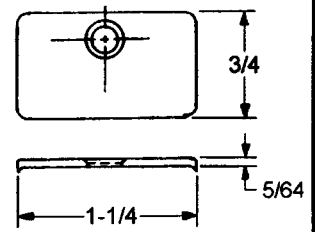


REMOVE PROTECTIVE PAPER. POSITION KEEPER ON FACE OF INSTALLED LATCH AND CLOSE DOOR AGAINST ADHESIVE SURFACE OF KEEPER.

NOTE: MAKE SURE SURFACE OF DOOR IS CLEAN AND CAPABLE OF RETAINING A SATISFACTORY ADHESIVE BOND.

KEEPER - SCREW BACKED

PART NO. 02-14-102-11
MATERIAL: 1010 STEEL
FINISH: ZINC PLATE - BRIGHT



ATTACH WITH NO. 5 FLAT HEAD SCREW.