



NO. 93 SLAM-ACTION PUSH-BUTTON LATCH
CORROSION-RESISTANT WITH IN LINE PULL TAB

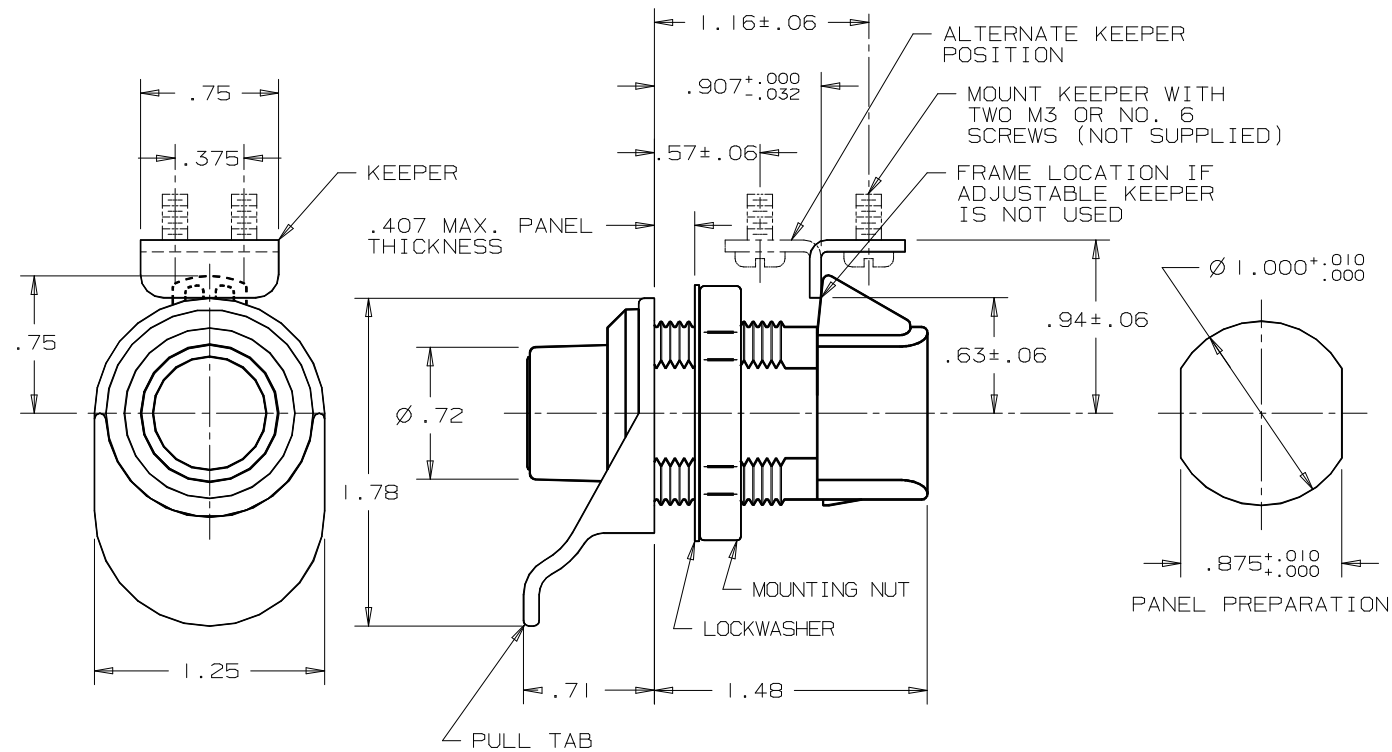
| DATE | DRAWN | CHKD | SCALE | DRAWING NUMBER |
|--------|-------|------|-------|----------------|
| 1/4/91 | JAD | | FULL | J-93-304 |

| REV. | DATE | BY-CHKD | REVISIONS |
|------|---------|---------|----------------------------------|
| A | 4-19-91 | ACZ | PRN-93-113 |
| B | 5-14-91 | CRW | ADDED TOLERANCE TO MOUNTING HOLE |
| C | 02JUN93 | JGK | M3 WAS 3.5mm & PRN:93-106-A |
| D | 15APR94 | RDG | PRN:93-144 |
| E | 21MAR95 | RDG | PRN:93-158 |
| F | 18APR95 | KGS | PRN:93-160 |

ASSEMBLY PART NUMBER 93-304
ASSEMBLY CONSISTS OF ONE LATCH SUB-ASSEMBLY,
ONE PULL TAB, AND HARDWARE, PACKAGED
ONE COMPLETE ASSEMBLY PER BAG.

MATERIAL AND FINISH
KEEPER, CAM SPRING & LOCKWASHER: STAINLESS STEEL, PASSIVATED
MOUNTING NUT & HOUSING: GLASS REINFORCED NYLON, BLACK
PAWL SPRING: STAINLESS STEEL, NATURAL
PULL TAB: NYLON, BLACK
INTERNAL CAM: GLASS REINFORCED NYLON/SILICONE, BLACK
KNOB & KNOB PLUG: THERMOPLASTIC POLYESTER, BLACK
PAWL: ACETAL, BLACK

ASSEMBLY PART NUMBER 93-304-B
SAME AS ABOVE ASS'Y EXCEPT LATCH SUB-ASS'Y,
PULL TAB, AND HARDWARE ARE SHIPPED SEPARATELY.



PULL TAB MAY BE INSTALLED
180° FROM POSITION SHOWN