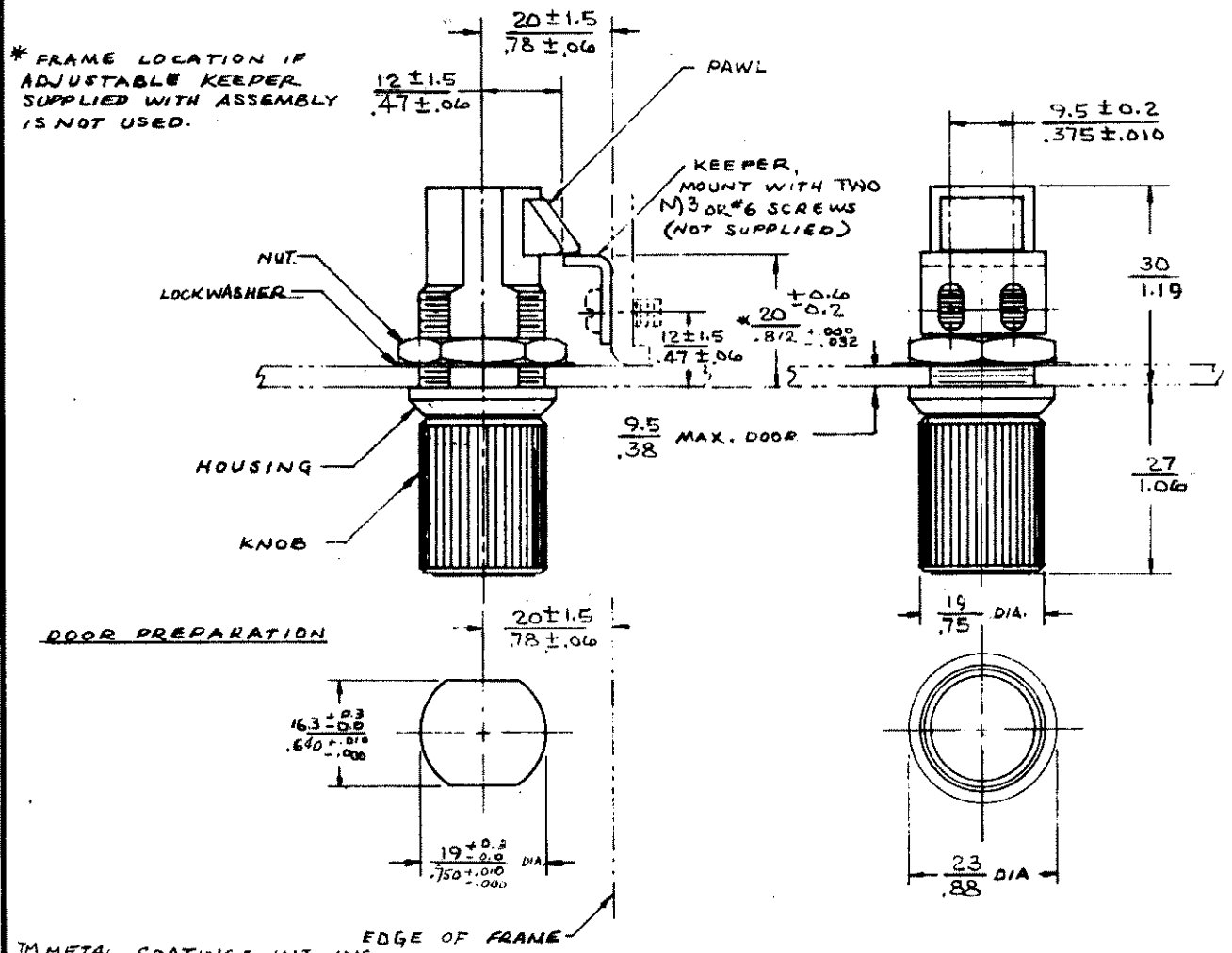


DATE	DRAWN	CHKD	SCALE	DRAWING NUMBER
11-23-82	ACZ		N.T.S.	J-93-10-203-10

REV. LET.	DATE	BY-CHKD	REVISIONS	ASS'Y PART NO
G	11-16-88	SML	DELETED PREVIOUS REVS. - SEE RECORD PRINT; REN: 93-81	93-10-203-10
H	6-10-93	JGK	REN: 93-137	



ASSEMBLY PART No. 93-10-203-10 CONSISTS OF 1 LATCH SUB-ASS'Y. 1 NUT, 1 LOCKWASHER & 1 KEEPER PACKED IN A PLASTIC BAG.

HOUSING- DIE CAST ZINC, BRIGHT CHROME PLATED.

KNOB & PAWL ARE BLACK THERMOPLASTIC

KEEPER & LOCKWASHER ARE STEEL DACROTIZED

PLUG IN KNOB IS ALUMINUM, NATURAL

NUT IS DIE CAST ZINC, CHEM. PROTECTIVE FILM

KNOB TURNS 1/4 TURN IN EITHER DIRECTION TO UNLATCH.

MAY BE SLAM CLOSED

MILLIMETER/INCH      MILLIMETER INCH