

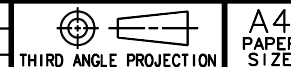
southco

PROPRIETARY ITEM - EXCEPT FOR USES EXPRESSLY GRANTED IN WRITING INFORMATION DISCLOSED HEREON IS CONFIDENTIAL AND ALL RIGHTS PATENT AND OTHERWISE ARE RESERVED BY SOUTHCO, INC.

MP COAT HOOK

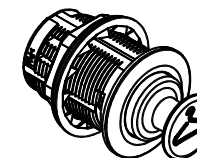
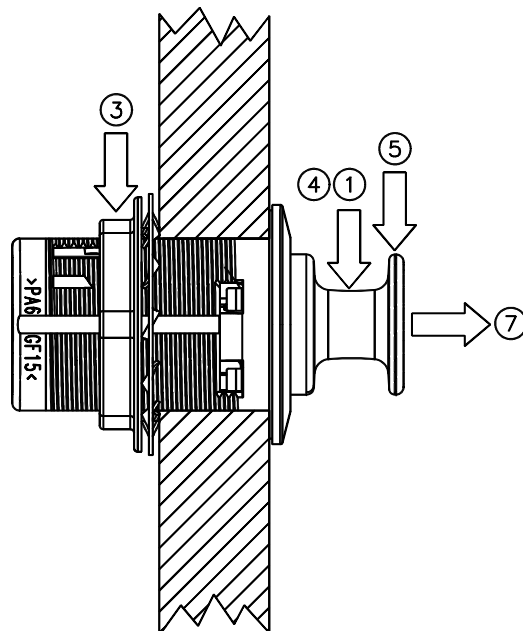
DATE	DRAWN	CHKD	SCALE	DRAWING NUMBER
19MAY2009	ACH	MJS	1:1	TD-MP-07

REV	DATE	DRAWN/CHKD	DESCRIPTION
A	20MAY2009	ACH/TL	PRN: P2009-0519
B	06DEC2010	AJT/SP	PRN: P2010-1367
C	27JUL2011	AJT	PRN: P2011-0835

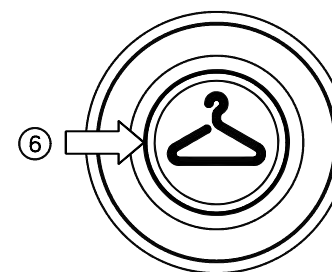


SOUTHCO PERFORMANCE GUIDELINES

THE PERFORMANCE GUIDELINES SHOWN ON THIS PAGE ARE SUPPLIED AS A GENERAL GUIDE ONLY, AS CONDITIONS VARY WITH EACH APPLICATION AND METHOD OF INSTALLATION. STRENGTH DATA GIVEN IS FOR FAILURE OF THE PRODUCT OR FOR SUFFICIENT DEFORMATION TO MAKE PRODUCT INOPERABLE. NO SAFETY FACTOR HAS BEEN APPLIED IT IS RECOMMENDED THAT THE USER REQUEST A PRODUCT SAMPLE FOR TESTING TO DETERMINE THE SUITABILITY OF THE PRODUCT FOR THE PURPOSE INTENDED AND USER'S PARTICULAR APPLICATION.



SCALE 1:2



SEE J-MP-07-1 FOR PART NUMBERS

MAXIMUM STATIC LOAD - Is the maximum recommended load after one time application and removal of which the product continues to function properly.

AVERAGE ULTIMATE LOAD - is the average load that causes failure or excessive deformation which renders the product inoperable.

CYCLE LIFE - samples performed flawlessly after 20,000 cycles and showed no noticeable signs of wear. Cycle testing was performed by first depressing hook to release from stowed position, a load of 60N was applied to the groove on the hook for 10 seconds. The load was then removed & the hooked was stowed, to complete 1 cycle.

Overloading the fastener beyond these conditions is not recommended.

- ① MAXIMUM STATIC LOAD ON HOOK: 60N
- ② CYCLE LIFE: 20,000 CYCLES
- ③ MAXIMUM RECOMMENDED TIGHTENING TORQUE FOR MOUNTING NUT: 2 Nm (18 IN-LBS)
- ④ AVERAGE ULTIMATE VERTICAL LOAD ON HOOK: 1200N
- ⑤ AVERAGE ULTIMATE VERTICAL LOAD ON HOOK FLANGE: 1000N
- ⑥ AVERAGE ULTIMATE SIDE LOAD ON HOOK FLANGE: 1200N
- ⑦ AVERAGE ULTIMATE TENSILE LOAD ON HOOK FLANGE: 1300N