

SOUTHCO PERFORMANCE GUIDELINES:
 THE PERFORMANCE GUIDELINES SHOWN ON THIS PAGE ARE SUPPLIED AS A GENERAL GUIDE ONLY, AS CONDITIONS VARY WITH EACH APPLICATION AND METHOD OF INSTALLATION. STRENGTH DATA GIVEN IS FOR FAILURE OF THE PRODUCT OR FOR SUFFICIENT DEFORMATION TO MAKE PRODUCT INOPERABLE. NO SAFETY FACTOR HAS BEEN APPLIED IT IS RECOMMENDED THAT THE USER REQUEST A PRODUCT SAMPLE FOR TESTING TO DETERMINE THE SUITABILITY OF THE PRODUCT FOR THE PURPOSE INTENDED AND USER'S PARTICULAR APPLICATION.*

southco

PROPRIETARY ITEM - EXCEPT FOR USES EXPRESSLY GRANTED IN WRITING INFORMATION DISCLOSED HEREON IS CONFIDENTIAL AND ALL RIGHTS PATENT AND OTHERWISE ARE RESERVED BY SOUTHCO, INC.

E6-60 HINGE

DATE	DRAWN	CHKD	SCALE
20OCT2008	D.ZHANG	F.VITRY	1:1

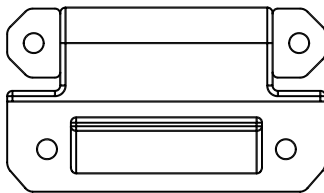
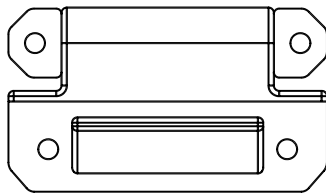
DRAWING NUMBER
TD-E6-60-J

REV	DATE	DRAWN/CHKD	DESCRIPTION
A	20FEB2009	DUO	PRN: P2009-0193
B	19MAR2009	DUO	PRN: P2009-0354

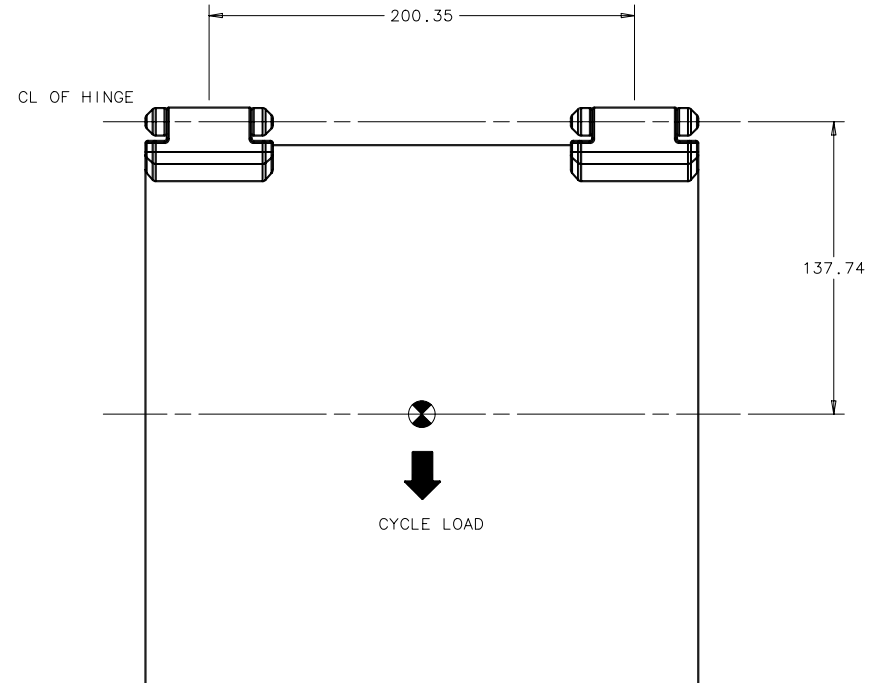
MILLIMETERS



↑
RADIAL
LOAD



←
AXIAL
LOAD



CYCLE TEST SET-UP
SCALE 0.4:1

PART NUMBERS	MAXIMUM STATIC RADIAL LOAD N/lb [Ⓐ]	MAXIMUM STATIC AXIAL LOAD N/lb [Ⓐ]	CYCLE LIFE AT RATED TORQUE ^{23N} (2.35 kg) (5.175 lbs) [Ⓑ]
E6-60-420S-YY	1000/225	1200/270	20,000
E6-60-428S-YY			
E6-60-436S-YY			
E6-60-420F-YY			
E6-60-428F-YY			
E6-60-436F-YY			
E6-60-444F-YY			
E6-60-420R-YY			
E6-60-428R-YY			
E6-60-436R-YY			
E6-60-444R-YY			

Ⓐ. AXIAL AND RADIAL LOADS APPLIED ONE TIME TO A SINGLE HINGE WITHOUT DEGRADATION OF PERFORMANCE.

Ⓑ. CLOSED POSITION TO OPEN POSITION AT 180° PLUS RETURN TO INITIAL CLOSED POSITION: AT AMBIENT TEMPERATURE.