

6

5

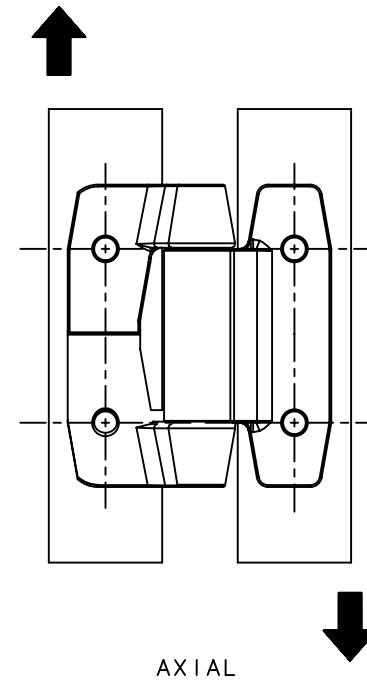
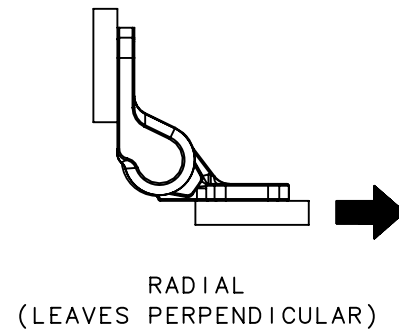
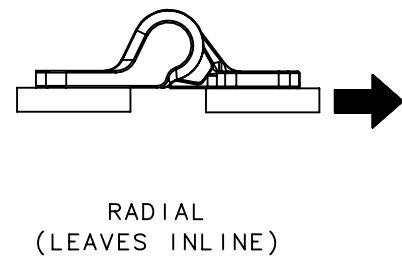
4

3

2

1

REVISION HISTORY			
REV	DATE	BY	DESCRIPTION
B	24JAN2022	CMS/CTG	PRN: P2022-0162



PART NUMBER	AVERAGE ULTIMATE RADIAL LOAD, N/lbf		AVERAGE ULTIMATE AXIAL LOAD, N/lbf	CYCLE LIFE	WORKING LOAD, N/lbf	
	INLINE	PERPENDICULAR			AXIAL	RADIAL, INLINE
E6-10-6XXXX-XX	10500 / 2360	3900 / 876	9000 / 2023	20,000	500 / 110	2000 / 450

REF.: TR E6-39854

SOUTHCO PERFORMANCE GUIDELINES:
 THE PERFORMANCE GUIDELINES SHOWN ON THIS PAGE ARE SUPPLIED AS A GENERAL GUIDELINE ONLY. AS CONDITIONS VARY WITH EACH APPLICATION AND METHOD OF INSTALLATION. STRENGTH DATA GIVEN IS FOR FAILURE OF THE PRODUCT OR FOR SUFFICIENT DEFORMATION TO MAKE THE PRODUCT INOPERABLE. NO SAFETY FACTOR HAS BEEN APPLIED IT IS RECOMMENDED THAT THE USER REQUEST A PRODUCT SAMPLE FOR TESTING TO DETERMINE THE SUITABILITY OF THE PRODUCT FOR THE PURPOSE INTENDED AND USER'S PARTICULAR APPLICATION.

THIRD ANGLE PROJECTION		southco [®] CONNECT • CREATE • INNOVATE	
MILLIMETERS [IN]			
TOLERANCES UNLESS OTHERWISE NOTED		DESCRIPTION HINGE AND CONTROLLED MOTION DEVICE	
ALL DIMENSIONS WITHOUT TOLERANCES ARE FOR REFERENCE ONLY.		SIZE B	SYSTEM NX
PER ASME Y14.5M-1994		DWG NO. TD-E6-10-680	SCALE 1:1
DRAWN BY JJT		DATE 21APR2012	SHEET 1 OF 1

PROPRIETARY ITEM
 EXCEPT FOR USES EXPRESSLY GRANTED IN WRITING, INFORMATION DISCLOSED HEREON IS CONFIDENTIAL AND ALL RIGHTS, PATENT AND OTHERWISE, ARE RESERVED BY SOUTHCO, INC.

6

5

4

3

2

1