

6

5

4

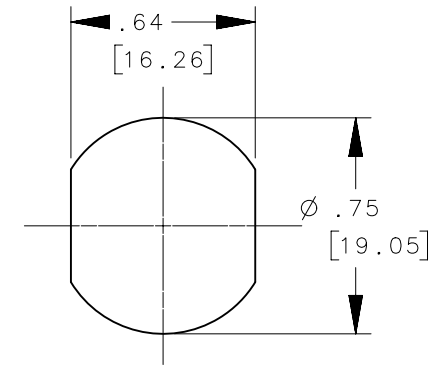
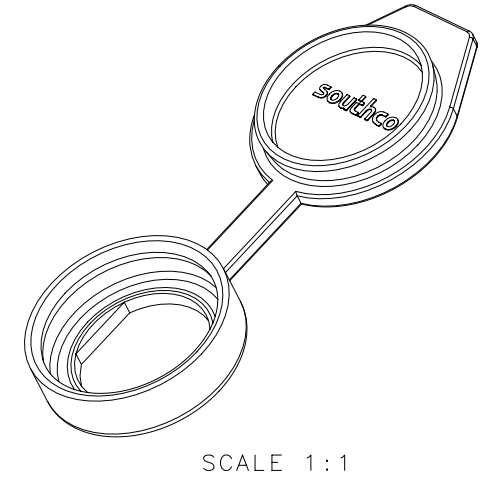
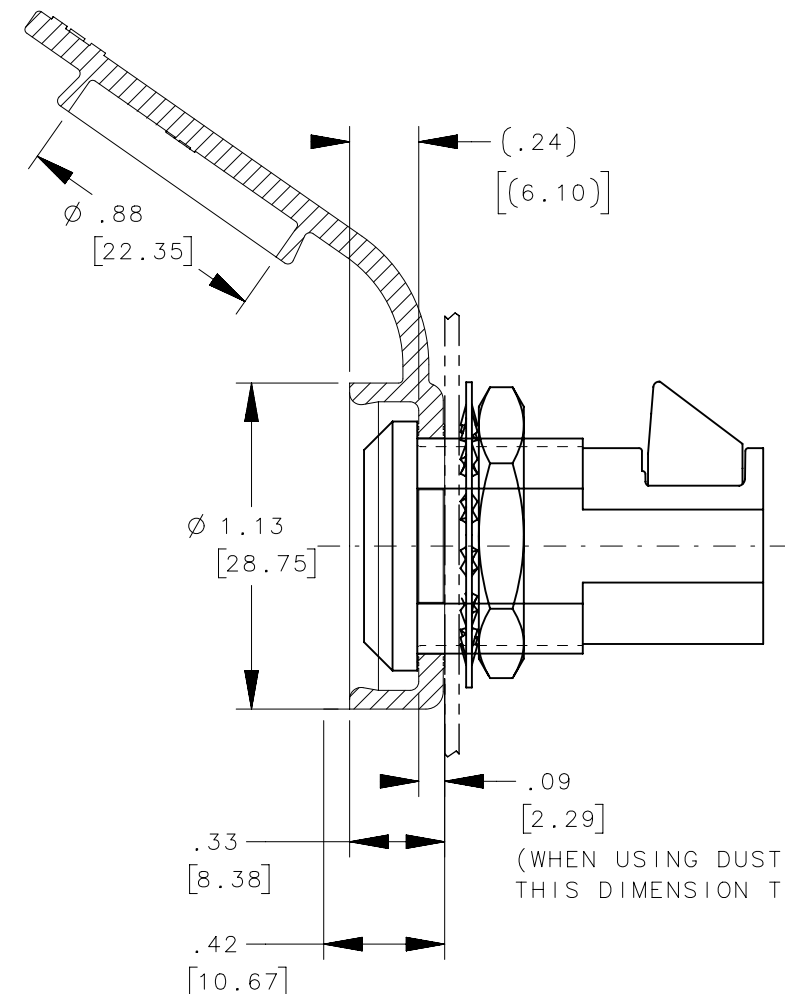
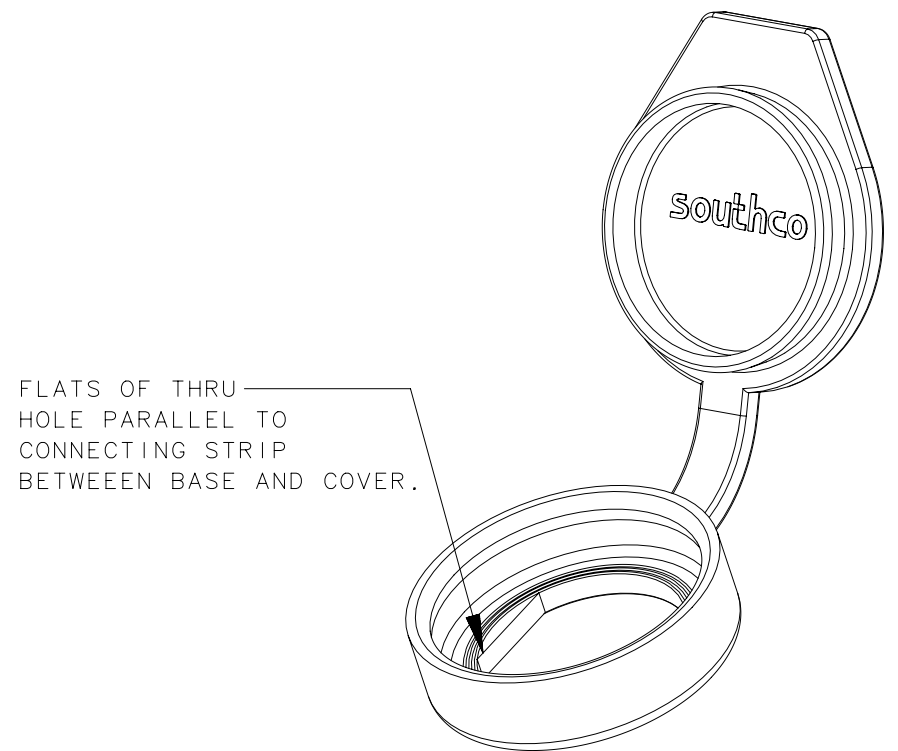
3

2

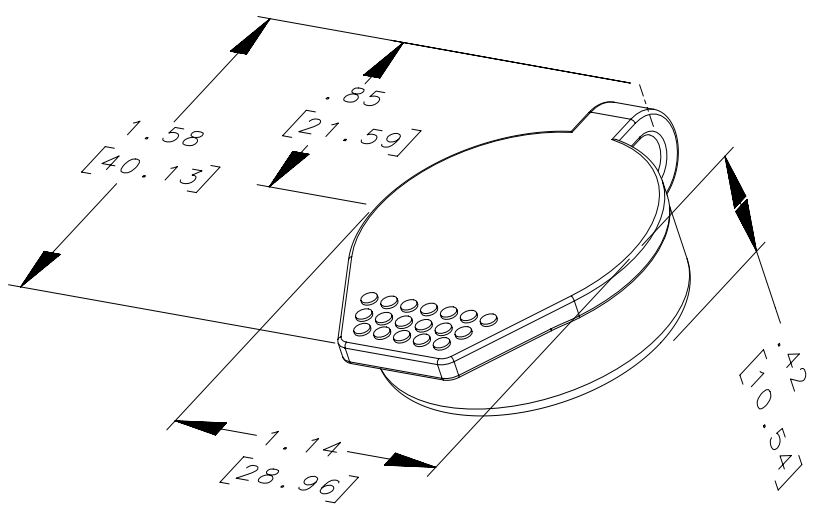
1

REVISION HISTORY			
REV	DATE	BY	DESCRIPTION
B	05JUN2020	MBT/DMS	PRN: P2020-1081

SEALING COVER MAY BE USED WITH 93-10-201-10



WHEN LID IS CLOSED



90-2-W	90-2-W	THERMOPLASTIC ELASTOMER	APPLIANCE WHITE
90-2	90-2	THERMOPLASTIC ELASTOMER	BLACK
PART NUMBER	TYPE OF COMPONENT	MATERIAL	FINISH

THIRD ANGLE PROJECTION				 CONNECT • CREATE • INNOVATE		
SURFACE AREA	TOLERANCES UNLESS OTHERWISE NOTED			DESCRIPTION <b>SEALING COVER FOR SLAM-ACTION KEYLATCH, 200 SERIES</b>		
VOLUME	ALL DIMENSIONS WITHOUT TOLERANCES ARE FOR REFERENCE ONLY.					
PROPRIETARY ITEM	PER ASME Y14.5M-1994	SIZE B	SYSTEM NX	DATE 24SEP1990	SCALE 1.5:1	SHEET 1 OF 1
<small>EXCEPT FOR USES EXPRESSLY GRANTED IN WRITING, INFORMATION DISCLOSED HEREON IS CONFIDENTIAL AND ALL RIGHTS, PATENT AND OTHERWISE, ARE RESERVED BY SOUTHCO, INC.</small>						

6

5

4

3

2

1