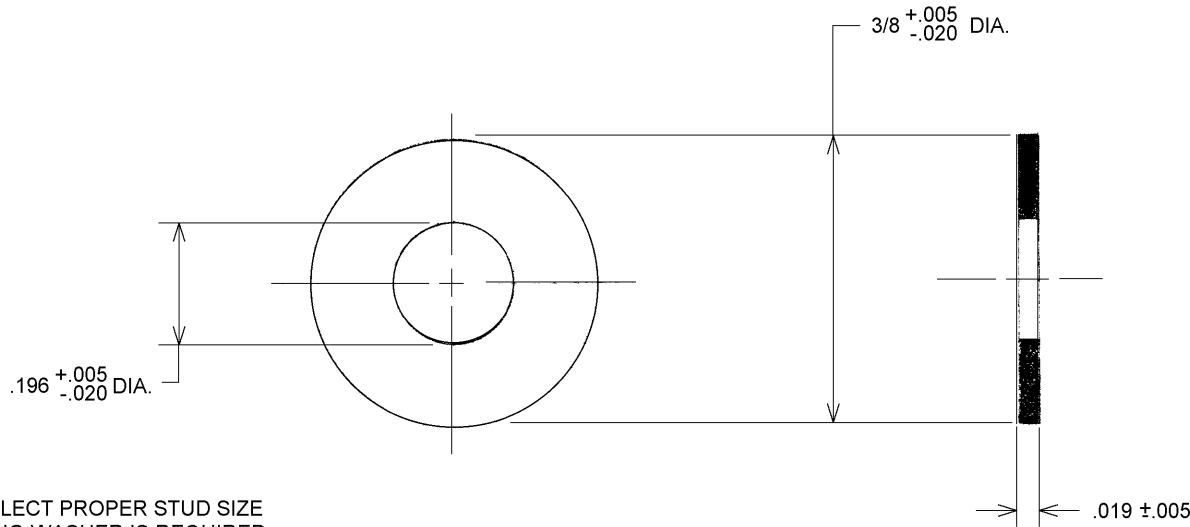




SOUTHCO No.82 FASTENER
STUD SEALING WASHER

DATE	DRAWN	CHKD	SCALE	DRAWING NUMBER
1-18-58	MRT		N.T.S.	J-82-14

REV. LET.	DATE	BY-CHKD	REVISIONS	PART No.	MATERIAL	FINISH		WT. IN LBS./M
A	3-6-67	MRT	ADDED WT./M	82-43-201-38	SYNTHETIC RUBBER	BLACK		0.078
B	12-18-69	MRT	ADDED TOLERANCES					
C	3-15-73	SJM	I.D. WAS 5/32					
D	6-14-77	PEK	PRN- 120-14					
E	3-1-82	AJF	PRN S-1-01					
F	10-27-86	GJC	UPDATED TOLERANCES; .019 WAS .020; 3/8 WAS 23/64					
G	12JAN93	JC	PRN: S-1-03					



NOTE : TO SELECT PROPER STUD SIZE
WHEN SEALING WASHER IS REQUIRED -
ADD THICKNESS OF WASHER (.019) TO
TOTAL THICKNESS OF MATERIAL TO
BE FASTENED.

