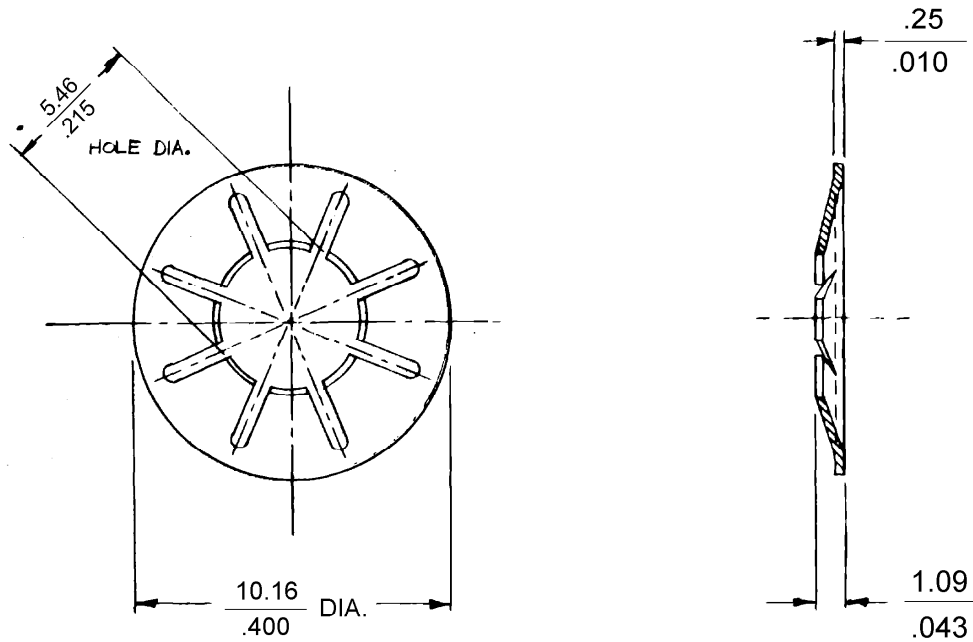




SOUTHCO N° 82 PUSH ON RETAINER

DATE	DRAWN	CHKD	SCALE	DRAWING NUMBER
11-17-72	ACL	HHG	N.T.S.	J-82-32-201-20

REV. LET.	DATE	BY-CHKD	REVISIONS	PART N°	MATERIAL	FINISH	R.S.	DATE	APP
A	6-30-76	LEK	PRN-82-36	82-32-201-20	STAINLESS STEEL	PASSIVATE	A	11-17-72	
B	6-14-77	REL	PRN-120-14				B		
C	3-1-82	ASF	PRN 5-1-01				C		
D	6-9-82	ASF	PRN 82-119				D		
E	6-28-83	RJB	PRN 82-137-A						
F	7-31-90	JAD	PRN 82-264						
G	10-12-90	AKM	PRN-82-269						
H	12 JAN 93	JC	PRN: S-1-03						
I	04 JAN 95	PKE	ADDED TOL. BLOCK						
J	09 APR 97	RJB	PRN:82-414						



PROPRIETARY ITEM - EXCEPT FOR USES EXPRESSLY GRANTED IN WRITING, INFORMATION DISCLOSED HEREON IS CONFIDENTIAL AND ALL RIGHTS, PATENT AND OTHERWISE, ARE RESERVED BY SOUTHCO, INC.

DIMENSIONS WITHOUT TOLERANCES ARE FOR REFERENCE ONLY

DRAWING NUMBER
J-82-32-201-20