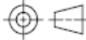
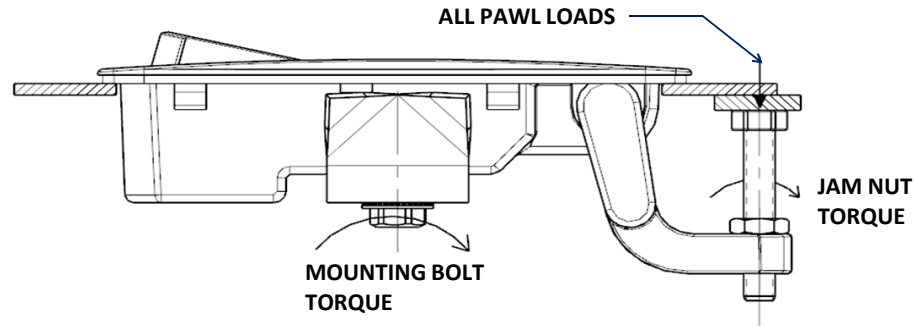
		PROPRIETARY ITEM - EXCEPT FOR USES EXPRESSLY GRANTED IN WRITING INFORMATION DISCLOSED HERON IS CONFIDENTIAL AND ALL RIGHTS PATENT AND OTHERWISE ARE RESERVED BY SOUTHCO, INC.			<b>C2 ADJUSTABLE LEVER LATCH</b>			DATE	DRAWN	CHKD	SCALE	DRAWING NUMBER
								04-May-15	JQ	LC	NTS	TD-C2-4-J
REV.	DATE	DRAWN	REVISION									
B	23-Oct-15	JQ/LC	PRN: P2015-2140									THIRD ANGLE PROJECTION 
C	23-Nov-18	DKM/DMS	PRN: P2018-2697									
D	08-Sep-21	CRM/MBT	PRN: P2021-1792									<b>A4 PAPER SIZE</b>

**SOUTHCO PERFORMANCE GUIDELINES**

THE PERFORMANCE GUIDELINES SHOWN ON THIS PAGE ARE SUPPLIED AS A GENERAL GUIDE ONLY, AS CONDITIONS VARY WITH EACH APPLICATION AND METHOD OF INSTALLATION. STRENGTH DATA GIVEN IS FOR FAILURE OF THE PRODUCT OR FOR SUFFICIENT DEFORMATION TO MAKE THE PRODUCT INOPERABLE. NO SAFETY FACTOR HAS BEEN APPLIED. IT IS RECOMMENDED THAT THE USER REQUEST A PRODUCT SAMPLE FOR TESTING TO DETERMINE THE SUITABILITY OF THE PRODUCT FOR THE PURPOSE INTENDED AND USER'S PARTICULAR APPLICATION.



PART NUMBER	RECOMMENDED PAWL LOAD (FOR ACTUATION) <sup>⑤</sup>	MAXIMUM RECOMMENDED PAWL LOAD (IN CLOSED POSITION) <sup>①</sup>	AVERAGE ULTIMATE PAWL LOAD <sup>②</sup>	MAXIMUM MOUNTING BOLT TORQUE <sup>③</sup>	MAXIMUM JAM NUT TORQUE <sup>④</sup>
C2-X42-XX	200 N (45 lbf)	450 N (101 lbf)	870 N (196 lbf)	4.5 N.m (40 lbf.in)	4 N.m (35 lbf.in)
C2-X43-XX					

1. MAXIMUM RECOMMENDED PAWL LOAD (IN CLOSED POSITION) IS THE MAXIMUM FORCE THAT THE PRODUCT WILL WITHSTAND WITHOUT AFFECTING THE OPERATION OR APPEARANCE OF THE PRODUCT. (REF trC2-19776 TEST 3)
2. AVERAGE ULTIMATE PAWL LOAD CAUSES FAILURE OF THE PRODUCT OR SUFFICIENT DEFORMATION TO MAKE THE PRODUCT INOPERATE.. (REF trC2-21635 TEST 1)
3. MAXIMUM MOUNTING BOLT TORQUE IS THE TORQUE THAT STRIPPED THE HEAD OF THE MOUNTING SCREW. (REF trC2-19776 TEST 4)
4. MAXIMUM JAM NUT TORQUE IS THE TORQUE FAILED THE INTERNAL THREADS IN THE PAWL. (REF trC2-22163 TEST 1 & trC2-22445 TEST 1)
5. RECOMMENDED PAWL LOAD (FOR ACTUATION) IS THE MAXIMUM FORCE APPLIED TO THE PAWL WHICH ALLOWS REASONABLE ACTUATION FORCES FOR THE USER. (REF trC2-22538 TEST 1)

REF: trC2-19776, trC2-21635, trC2-22163, trC2-22445, trC2-22538, trC2-34898, trC2-38914.