

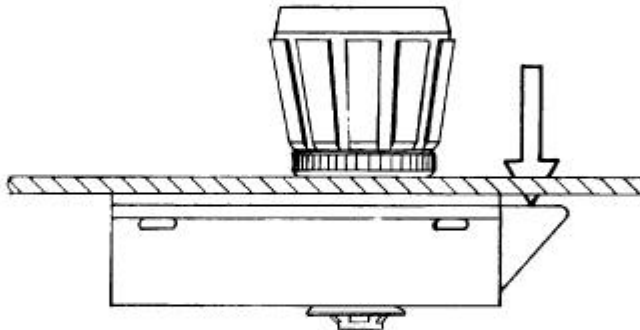
### General Performance Guidelines

The information shown on this page was determined under one set of test conditions and is supplied as a general guide only, as conditions vary with each application. Strength data given is for failure of the product or for sufficient deformation to make the product inoperable. No safety factor has been applied. It is recommended that the user test the product for his particular application.

DATE	4-11-78	DESIGN	T.M.	SCALE	DRAWING NUMBER
					TD-AG-2-3

R.S.	DATE	APP
A		
B		
C		
D		

Nº AG SLAM LATCH



FASTENER YIELDED WHEN A LOAD, AS INDICATED BELOW, WAS APPLIED IN DIRECTION OF ARROW.

ASSEMBLY Nº	LOAD
AG-60-X13-10	100 lbs.
AG-60-X16-10	250 lbs.

Nº AG SLAM LATCH

**southco®**

PROPRIETARY ITEM—EXCEPT FOR USES EXPRESSLY GRANTED IN WRITING, IN-  
 FULY DISCLOSED HEREON IS CONFIDENTIAL AND ALL RIGHTS, PATENT AND  
 TRADEMARK, ARE RESERVED BY SOUTHCO, INC.

DRAWING NUMBER TD-AG-2-3