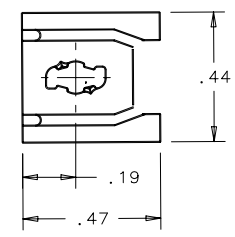
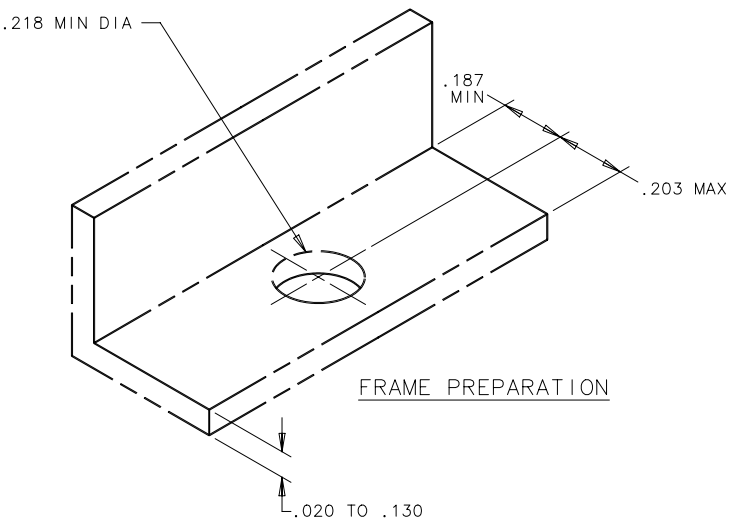
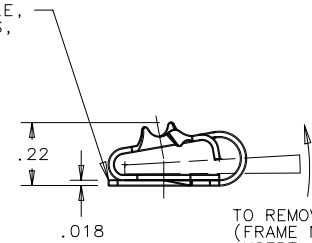


REV.	DATE	BY-CHKD	REVISIONS	PART NUMBER	MATERIAL	FINISH	UNIT WEIGHT		
F	29MAR2001	RJB/JGK	PRN: P2001-0035	81-47-101-15	STEEL	ZINC FLAKE COATING	.0019 LB		
G	12APR2005	BRP/RLR	PRN: P2005-0589	81-47-101-20	NON-AUSTENITIC STAINLESS STEEL	PASSIVATE	.0019 LB		
				81-47-101-58	NON-AUSTENITIC STAINLESS STEEL	BLACK ORGANIC COATING	.0019 LB		



TO INSTALL RECEPTACLE, HOLD IT BY ITS SIDES, CATCH THIS EDGE ON ONE SIDE OF FRAME, AND PULL RECEPTACLE OPEN TO SLIDE IT ON.



TO REMOVE RECEPTACLE (FRAME NOT SHOWN), INSERT SCREWDRIVER BLADE FULLY INTO RECEPTACLE, LIFT, AND SLIDE OFF.

TO SELECT PROPER STUD, SUBTRACT A CONSTANT OF .060 IN. FROM THE TOTAL OF OUTER PANEL THICKNESS, FRAME THICKNESS AND SPACE BETWEEN THE TWO. NOTE: THE SPACE BETWEEN THE OUTER PANEL AND FRAME WILL ALWAYS BE AT LEAST .018 IN. BECAUSE OF THE THICKNESS OF THE RECEPTACLE LEG, AND MUST ALWAYS BE INCLUDED IN THE TOTAL.

NOTE: DIFFERENT FROM OTHER SOUTHCO RECEPTACLES, THE STUD RETAINER WILL NOT CREATE ADDITIONAL SPACE BETWEEN THE OUTER PANEL AND FRAME, AS THERE IS A CLEARANCE HOLE FOR IT IN THE RECEPTACLE LEG.