

southco

PROPRIETARY ITEM - EXCEPT FOR USES EXPRESSLY GRANTED IN WRITING INFORMATION DISCLOSED HEREON IS CONFIDENTIAL AND ALL RIGHTS PATENT AND OTHERWISE ARE RESERVED BY SOUTHCO, INC.



CONCEALED PULL ASSEMBLY

DATE	DRAWN	CHKD	SCALE	DRAWING NUMBER
04AUG92	JAD		.5:1	J-67-45

REV.	DATE	DRAWN	REVISION	ITEM	PART NUMBER	MATERIAL	FINISH	REQUIRED
A	02FEB93	JSS	PRN: 67-25	ASSEMBLY	67-45	-	-	-
B	13MAY93	MPF	PRN: 67-25-A	HANDLE	-	ALUMINUM	BLACK POWDER COATED	1
C	11JAN94	JAD	PRN: 67-30	HOUSING	-	NYLON	BLACK	1
D	09OCT96	SWD	PRN: S-93-23	BUSHING	-	ACETAL	BLACK	2
E	25JAN2000	VNI	PRN: 67-45	SCREW	-	SEE NOTE B	PASSIVATED	2
F	21AUG2002	RLR/AJH	PRN:P2002-0591	PIN	-	ALUMINUM	BLACK ANODIZE	2
				SPRING	-	SEE NOTE B	PASSIVATED	1

MILLIMETERS

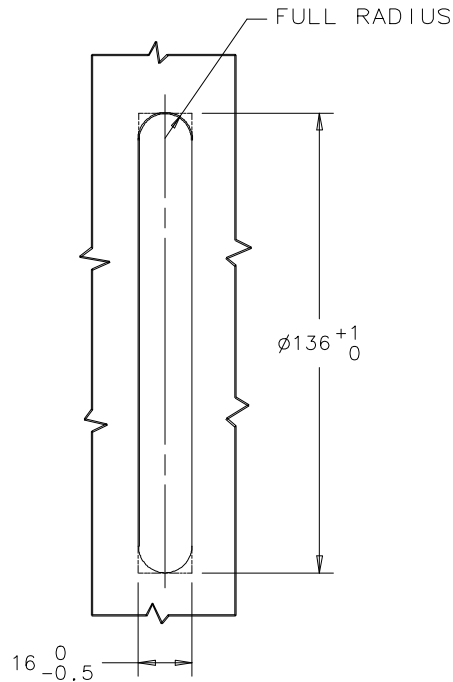
ALL DIMENSIONS WITHOUT TOLERANCES ARE FOR REFERENCE ONLY.

 THIRD ANGLE PROJECTION A4 PAPER SIZE

NOTES:

- A. PRODUCT SHIPPED ONE ASSEMBLY PER PACKAGE.
- B. MATERIAL: STAINLESS STEEL.



PANEL PREPARATION

