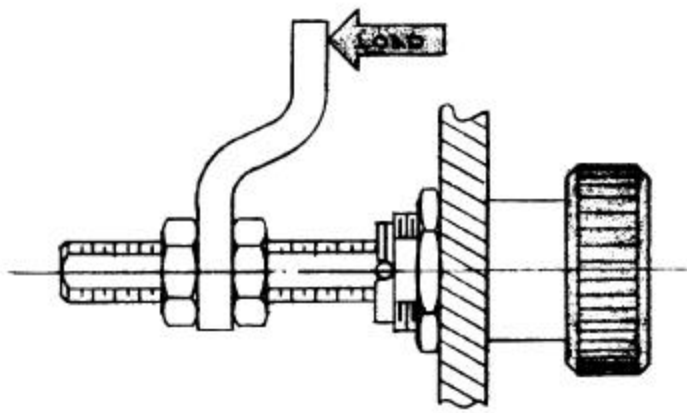


R.S.	DATE	A	
A		B	
B		C	
C		D	

General Performance Guidelines

The information shown on this page was determined under one set of test conditions and is supplied as a general guide only, as conditions vary with each application. Strength data given is for failure of the product or for sufficient deformation to make the product inoperable. No safety factor has been applied. It is recommended that the user test the product for his particular application.



№ 69-400 SERIES FASTENER

FASTENER YIELDED WHEN A LOAD OF 50 lbs.
WAS APPLIED IN DIRECTION OF ARROW