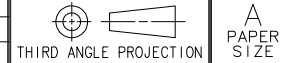
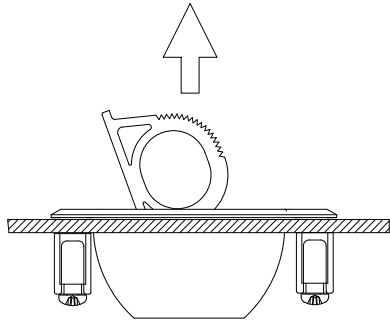


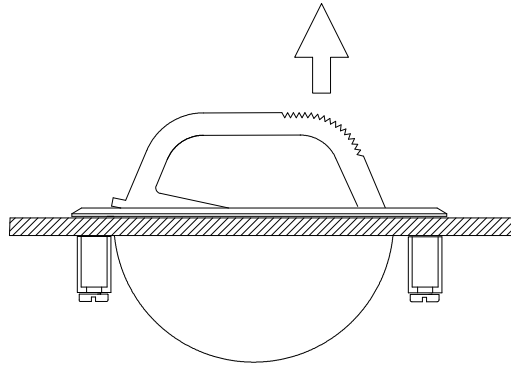
REV	DATE	DRAWN/CHKD	DESCRIPTION
F	30APR99	GDM	SEE RECORD PRINT
G	09APR2002	GDM	UPDATE FORMAT



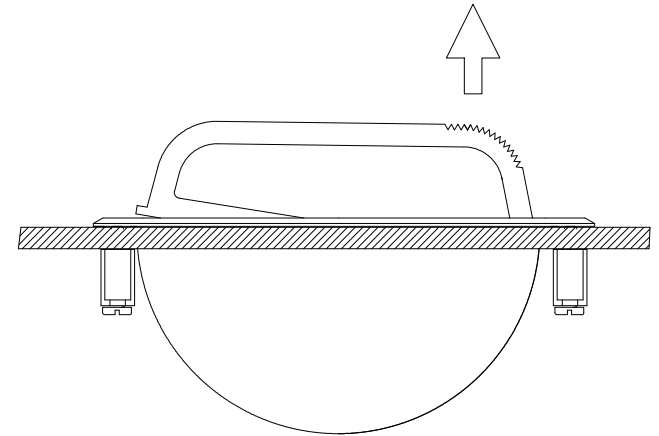
SOUTHCO PERFORMANCE GUIDELINES
 THE PERFORMANCE GUIDELINES SHOWN ON THIS PAGE ARE SUPPLIED AS A GENERAL GUIDE ONLY, AS CONDITIONS VARY WITH EACH APPLICATION AND METHOD OF INSTALLATION. STRENGTH DATA GIVEN IS FOR FAILURE OF THE PRODUCT OR FOR SUFFICIENT DEFORMATION TO MAKE PRODUCT INOPERABLE. NO SAFETY FACTOR HAS BEEN APPLIED IT IS RECOMMENDED THAT THE USER REQUEST A PRODUCT SAMPLE FOR TESTING TO DETERMINE THE SUITABILITY OF THE PRODUCT FOR THE PURPOSE INTENDED AND USER'S PARTICULAR APPLICATION.



SMALL



MEDIUM



LARGE

SIZE	PART NUMBER	MAXIMUM WORKING LOAD	ULTIMATE TENSILE LOAD	MAXIMUM RECOMMENDED MOUNTING SCREW TIGHTENING TORQUE
SMALL	67-10	620 N (140 lbf)	850 N (190 lbf)	80 N·cm (7 lbf·in)
MEDIUM	67-25, 67-27	440 N (100 lbf)	710 N (160 lbf)	55 N·cm (5 lbf·in)
LARGE	67-45, 67-47	580 N (130 lbf)	800 N (180 lbf)	55 N·cm (5 lbf·in)