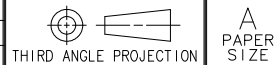
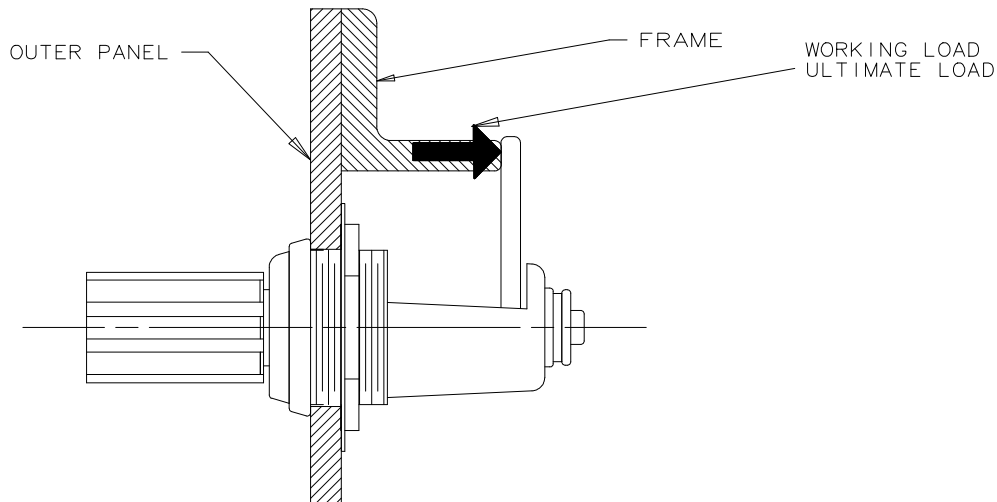


REV	DATE	DRAWN/CHKD	DESCRIPTION
A	09APR2002	GDM	UPDATE FORMAT



SOUTHCO PERFORMANCE GUIDELINES

THE PERFORMANCE GUIDELINES SHOWN ON THIS PAGE ARE SUPPLIED AS A GENERAL GUIDE ONLY, AS CONDITIONS VARY WITH EACH APPLICATION AND METHOD OF INSTALLATION. STRENGTH DATA GIVEN IS FOR FAILURE OF THE PRODUCT OR FOR SUFFICIENT DEFORMATION TO MAKE PRODUCT INOPERABLE. NO SAFETY FACTOR HAS BEEN APPLIED. IT IS RECOMMENDED THAT THE USER REQUEST A PRODUCT SAMPLE FOR TESTING TO DETERMINE THE SUITABILITY OF THE PRODUCT FOR THE PURPOSE INTENDED AND USER'S PARTICULAR APPLICATION.



PRODUCT CLASS-SERIES	MAXIMUM RECOMMENDED WORKING LOAD	AVERAGE ULTIMATE LOAD	MAXIMUM RECOMMENDED OPERATING TORQUE	MAXIMUM RECOMMENDED TORQUE ON MOUNTING NUT
48-10	220 N (50 LBS)	450 N (100 LBS)	57 Ncm (5 IN-LBS)	3.4 Nm (30 IN-LBS)
48-80				
48-90				
48-400				

Ⓐ WORKING LOAD is the maximum recommended load at which the product continues to function properly.

Ⓑ ULTIMATE LOAD is the load that causes excessive pawl deformation, which renders the product inoperable.