

NOTES.

- A CUP: 304 STAINLESS STEEL, BRUSHED, PASSIVATED  
GUIDE: 304 STAINLESS STEEL, PASSIVATED  
THREADSTUD: 302 STAINLESS STEEL, NATURAL
- B LOCK: DIE CAST ZINC, CHROME PLATED  
LOCK ARM AND RETAINING SCREW: STAINLESS STEEL, PASSIVATED  
MOUNTING NUT: DIE CAST ZINC WITH CHEMICAL PROTECTIVE FILM  
KEYS (2): BRASS, NICKEL PLATED
- C INSTALLATION INSTRUCTIONS:  
1. PREPARE A RECTANGULAR HOLE (55.5 X 71.5)  
2. ADJUST FIRST JAM NUT AS SHOWN FOR THICKNESS OF OUTER PANEL.  
3. PLACE LATCH IN HOLE, THEN PLACE BRACKET OVER THE STUD AS SHOWN AND FASTEN WITH LOCKWASHER AND JAM NUT.

**southco**

PROPRIETARY ITEM - EXCEPT FOR USES EXPRESSLY GRANTED IN WRITING, INFORMATION IS SOLELY FOR YOUR INTERNAL USE AND ALL RIGHTS, INCLUDING PATENT AND OTHER, ARE RESERVED BY SOUTHCO, INC.

NO. 64 FLUSH PADDLE LATCH,  
LOCKABLE, STAINLESS STEEL

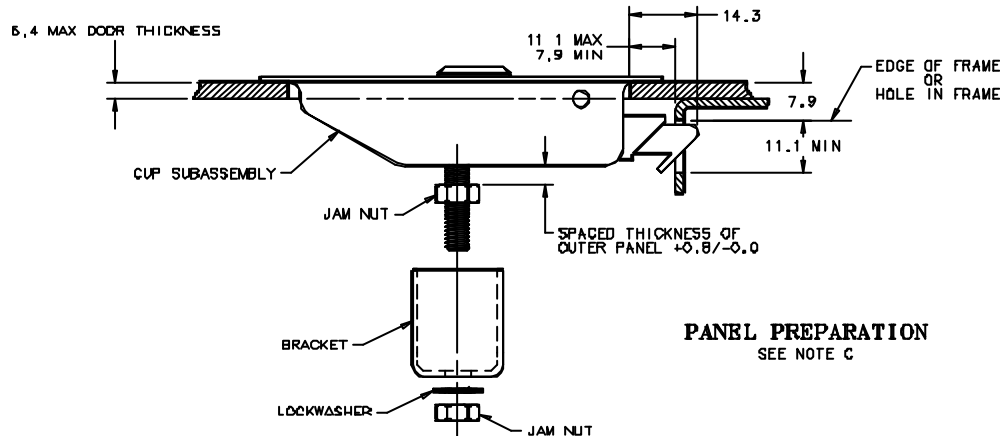
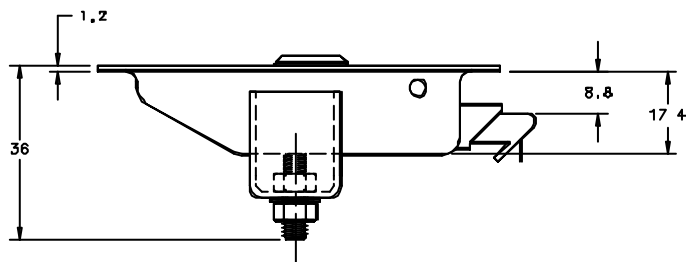
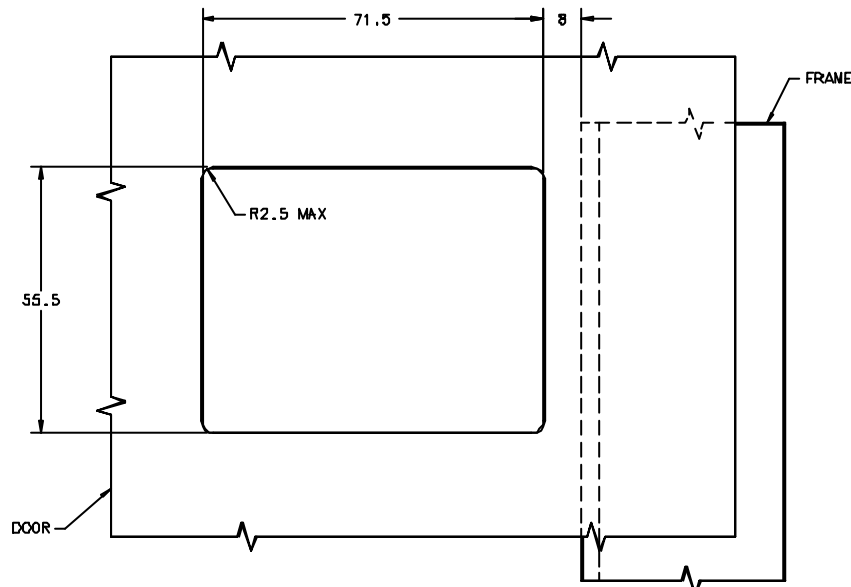
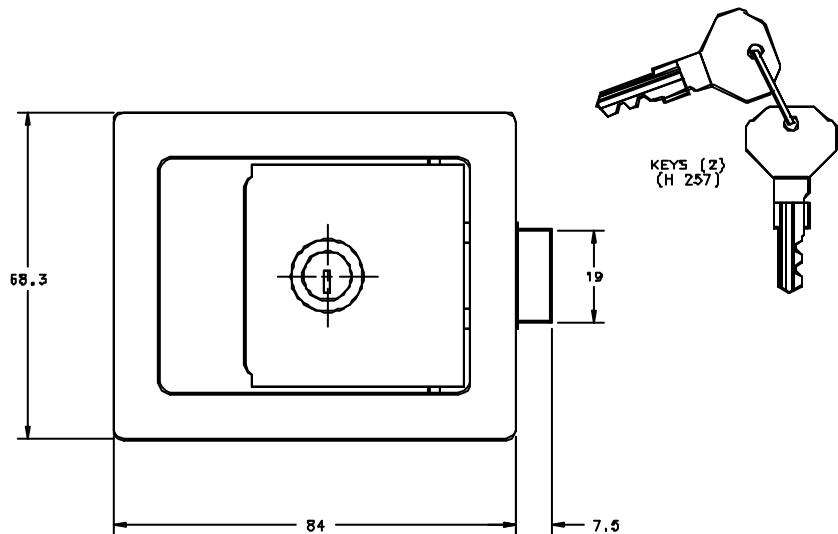
DATE: 01 NOV 2003  
DRAWN: RLR  
CHKD: CHW  
SCALE: 1:1

DRAWING NUMBER: J-64-22-10

REV	DATE	DRAWN/CHKD	DESCRIPTION	ITEM	PART NUMBER	MATERIAL	FINISH	REMARKS
				ASSEMBLY	64-22-10	-	-	
				CUP SUBASSEMBLY	-	SEE NOTE A	PASSIVATED	SEE NOTE A
				LOCK PLUG	-	SEE NOTE B	PASSIVATED	SEE NOTE B
				PADDLE	-	304 STAINLESS STEEL, BRUSHED	PASSIVATED	KEY CODE: H 257
				PIN	-	302 STAINLESS STEEL	PASSIVATED	
				SLIDE	-	304 STAINLESS STEEL	PASSIVATED	
				SPRING	-	302 STAINLESS STEEL	PASSIVATED	
				BRACKET	-	304 STAINLESS STEEL	PASSIVATED	
				NUTS (2)	-	304 STAINLESS STEEL	PASSIVATED	
				LOCKWASHER	-	304 STAINLESS STEEL	PASSIVATED	

ALL DIMENSIONS WITHOUT TOLERANCES ARE FOR REFERENCE ONLY.

THIRD ANGLE PROJECTION  
PAPER SIZE



PANEL PREPARATION  
SEE NOTE C