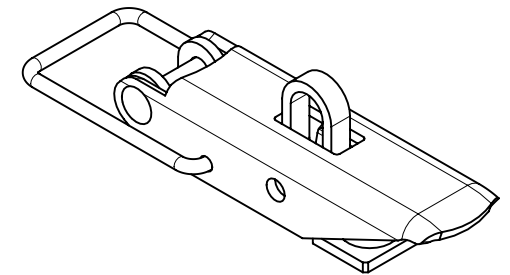
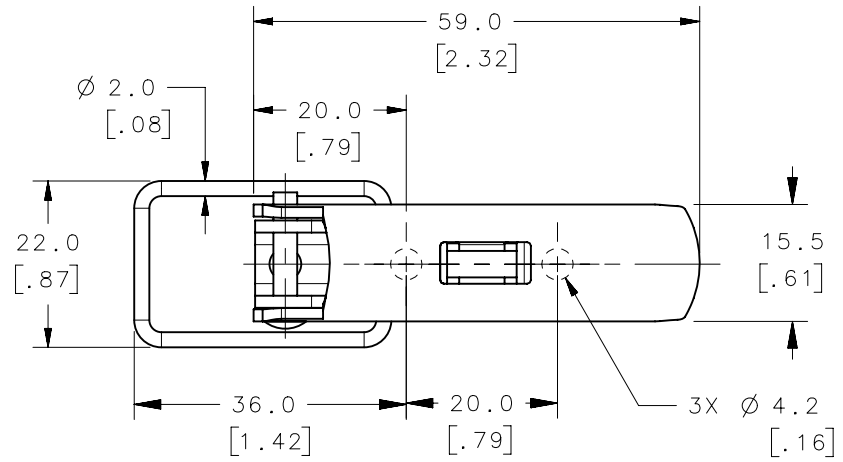
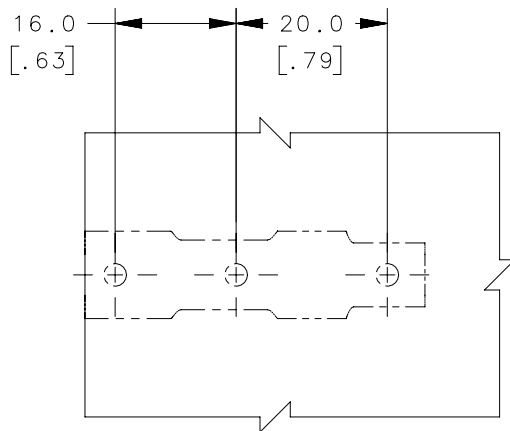
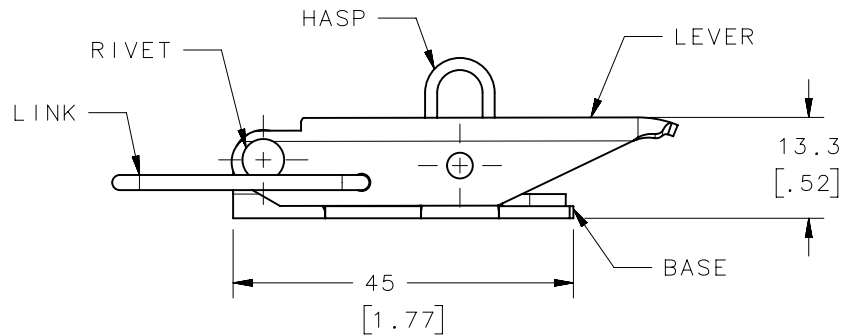


REVISION HISTORY			
REV	DATE	BY	DESCRIPTION
B	09NOV2012	MWC/YGC	PRN: P2012-1560

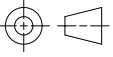



SCALE 1:1



PANEL PREPRATION

TL-40-221-52	STAINLESS STEEL	PASSIVATED
TL-40-221-07	STEEL	ZINC PLATE & TRIVALENT PASSIVATE
PART NUMBER	MATERIAL	FINISH

THIRD ANGLE PROJECTION 		 CONNECT • CREATE • INNOVATE	
MILLIMETERS [IN]			
TOLERANCES UNLESS OTHERWISE NOTED		DESCRIPTION TOGGLE LATCH ASSEMBLY	
ALL DIMENSIONS WITHOUT TOLERANCES ARE FOR REFERENCE ONLY.		SIZE A4	SYSTEM NX
PROPRIETARY ITEM <small>EXCEPT FOR USES EXPRESSLY GRANTED IN WRITING, INFORMATION DISCLOSED HEREON IS CONFIDENTIAL AND ALL RIGHTS, PATENT AND OTHERWISE, ARE RESERVED BY SOUTHCO, INC.</small>		DWG NO. J-TL-40-221-XX	
PER ASME Y14.5M-1994		DRAWN BY DMS/YGC	DATE 24MAR2012
		SCALE 1:1	SHEET 1 OF 1