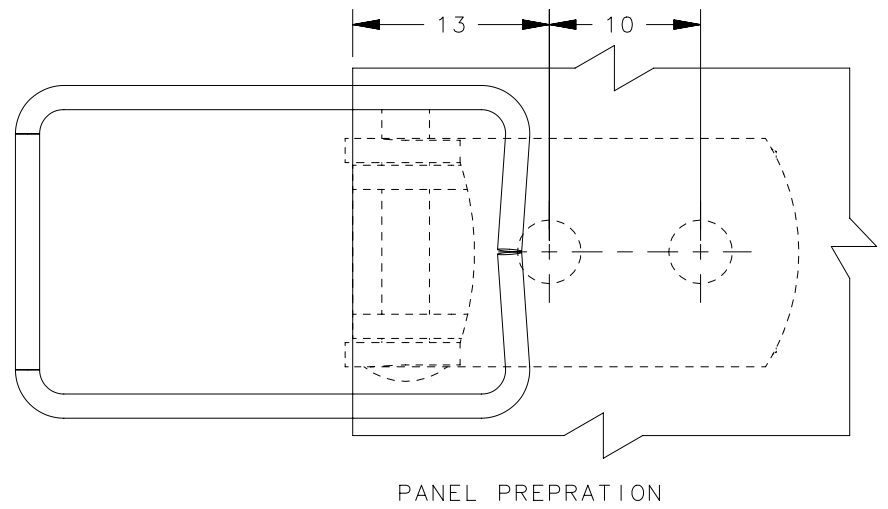
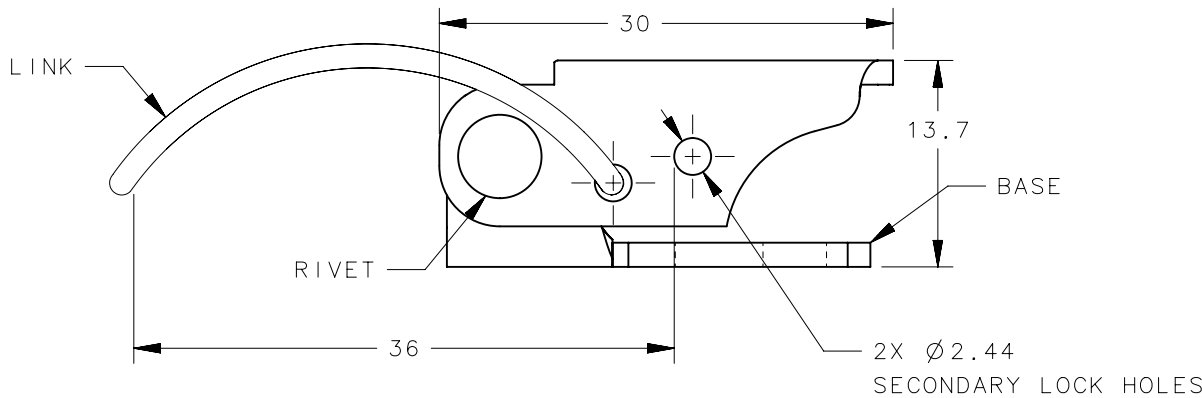
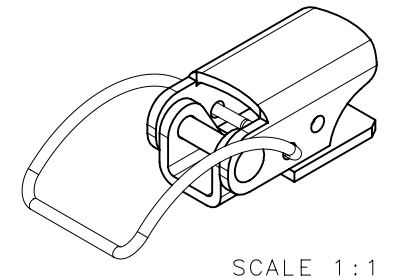


REVISION HISTORY			
REV	DATE	BY	DESCRIPTION
B	12DEC2014	DMS/YGC	PRN: P2014-2526



TL-20-203-07	-	-	-	-	CARBON STEEL/ZINC PLATE BRIGHT CHROMATE
TL-20-203-13	-	-	-	-	STEEL/ZINC PLATE BLACK CHROMATE
TL-20-203-52	-	-	-	-	STAINLESS STEEL/CLEAN
TL-20-203-24	-	-	-	-	STAINLESS STEEL/ELECTROPOLISH METALIC BRIGHT
PART NUMBER	LEVER NO.	BASE NO.	LINK NO.	RIVET NO.	MATERIAL/FINISH NO.

THIRD ANGLE PROJECTION		 CONNECT • CREATE • INNOVATE	
MILLIMETERS [IN]			
TOLERANCES UNLESS OTHERWISE NOTED		DESCRIPTION TOGGLE LATCH ASSEMBLY	
ALL DIMENSIONS WITHOUT TOLERANCES ARE FOR REFERENCE ONLY.		SIZE A4	SYSTEM NX
PROPRIETARY ITEM <small>EXCEPT FOR USES EXPRESSLY GRANTED IN WRITING, INFORMATION DISCLOSED HEREON IS CONFIDENTIAL AND ALL RIGHTS, PATENT AND OTHERWISE, ARE RESERVED BY SOUTHCO, INC.</small>		DWG NO. J-TL-20-203	
PER ASME Y14.5M-1994		DRAWN BY MWC	DATE 08SEP2012
		SCALE 2:1	SHEET 1 OF 1