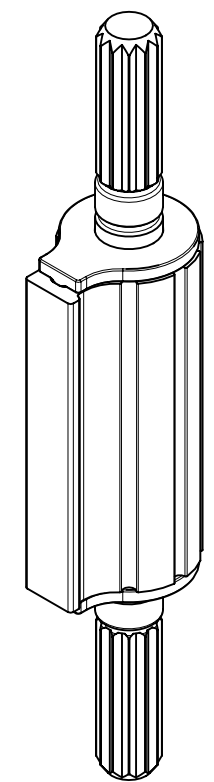
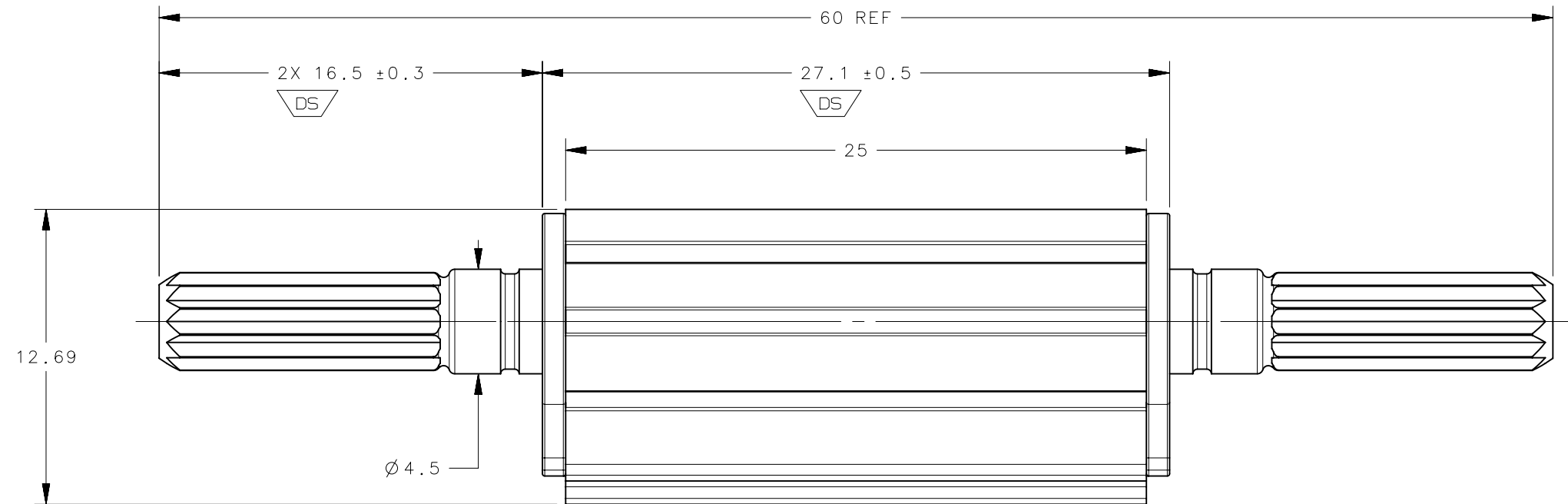
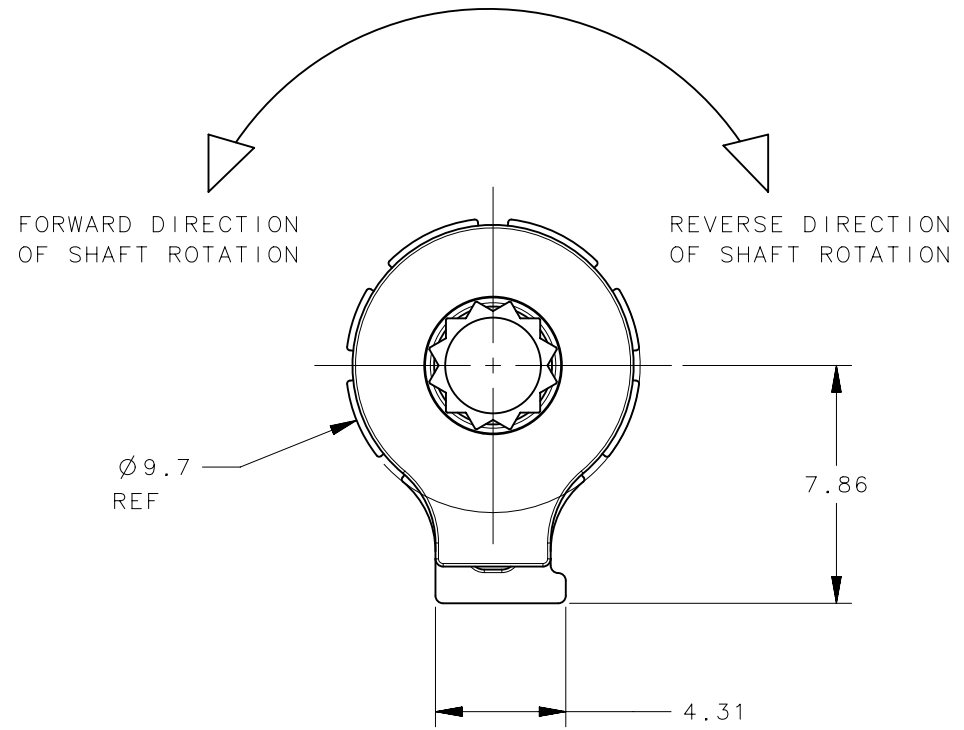


REVISION HISTORY			
REV	DATE	BY	DESCRIPTION
J	18APR2016	RMO/MJS	PRN: P2016-0851



SCALE 2:1

- NOTES:
- PERFORMANCE TORQUE TOLERANCE $\pm 20\%$
 - MATERIAL:
 - HOUSING: ALUMINUM
 - ENDCAPS - NYLON
 - INTERNAL COMPONENTS: HARDENED STEEL
 - CYCLE LIFE TO BE 20,000 CYCLES WITH LESS THAN 20% TORQUE CHANGE FROM MANUFACTURED VALUE.

PART NUMBER	STATIC TORQUE $\pm 20\%$	
	FORWARD TORQUE N-m (in-lbf)	REVERSE TORQUE N-m (in-lbf)
ST-11P-140SA-50	1.58 (14)	1.58 (14)
ST-11P-200SA-50	2.26 (20)	2.26 (20)
ST-11P-260SA-50	2.94 (26)	2.94 (26)
ST-11P-140FA-50	1.58 (14)	0.95 (8.4)
ST-11P-200FA-50	2.26 (20)	1.36 (12)
ST-11P-260FA-50	2.94 (26)	1.76 (15.6)
ST-11P-320FA-50	3.62 (32)	2.17 (19.2)
ST-11P-140RA-50	0.95 (8.4)	1.58 (14)
ST-11P-200RA-50	1.36 (12)	2.26 (20)
ST-11P-260RA-50	1.76 (15.6)	2.94 (26)
ST-11P-320RA-50	2.17 (19.2)	3.62 (32)

THIRD ANGLE PROJECTION	
MILLIMETERS [IN]	
TOLERANCES UNLESS OTHERWISE NOTED	
ALL DIMENSIONS WITHOUT TOLERANCES ARE FOR REFERENCE ONLY.	
PER ASME Y14.5M-1994	

southco[®]
CONNECT • CREATE • INNOVATE

DESCRIPTION: HINGE ASSEMBLY

SIZE: B	SYSTEM: NX	DWG NO.: J-ST-11P
DRAWN BY: JJT	DATE: 17NOV08	SCALE: 4:1 SHEET: 1 OF 1