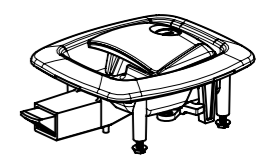
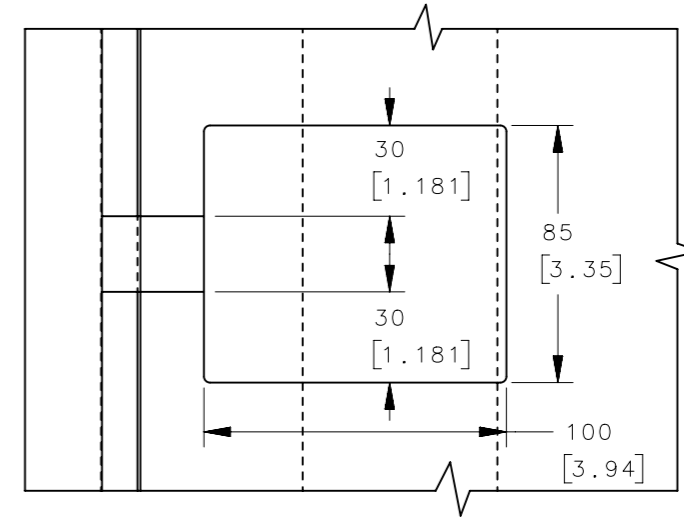
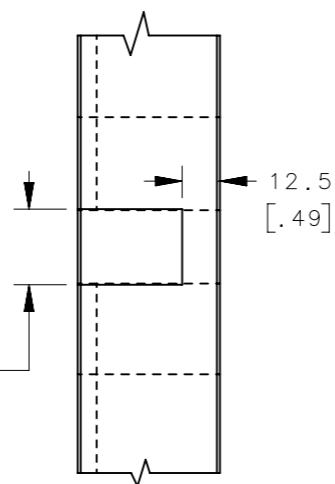
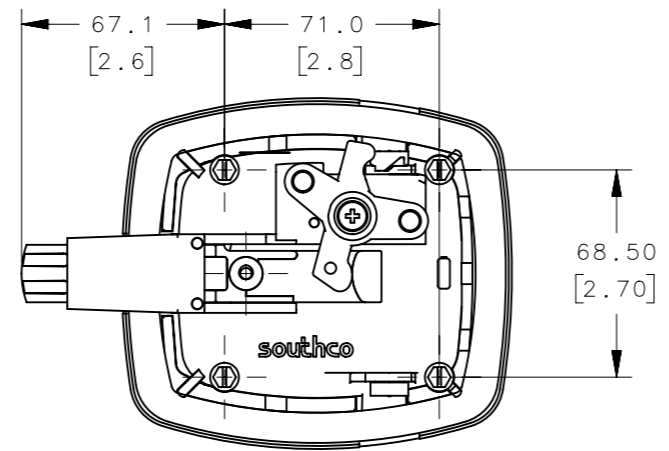
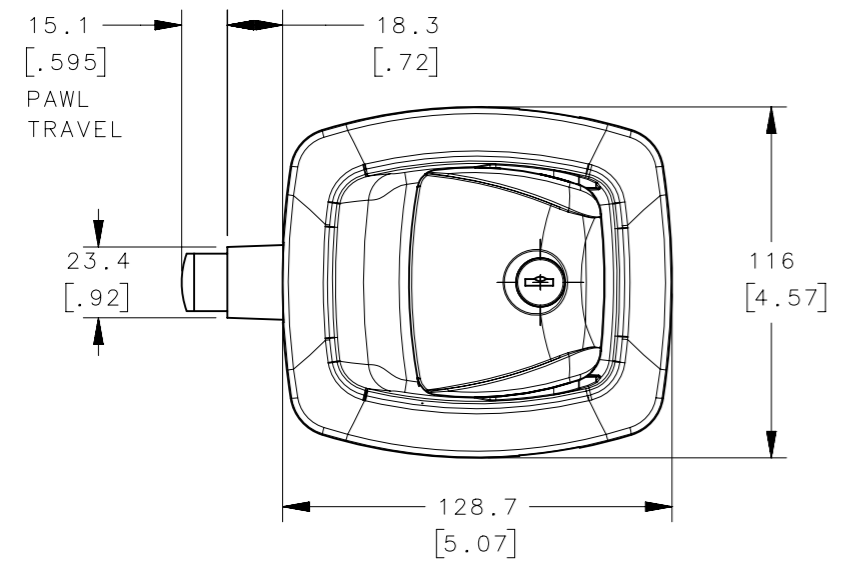


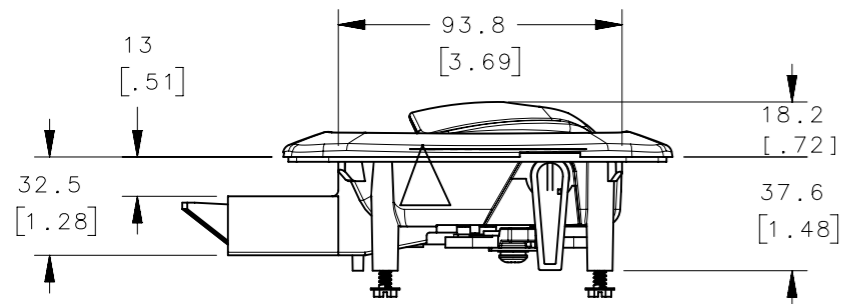
REVISION HISTORY			
REV	DATE	BY	DESCRIPTION
1	30MAY2022	CRM/DMS	PRN: P2022-1028

### PANEL PREPARATION

( PANEL PREPARATION SHOWN FOR MOUNTING BRACKET PART NO. R3-23-160-11)



SCALE 1:5



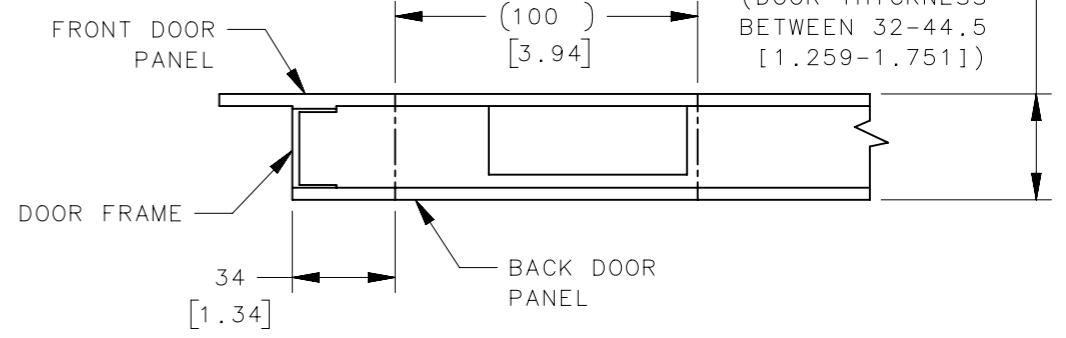
25.0 U SLIDING  
[.98]  
PAWL CHANNEL  
IN THE DOOR



R3-20-3X0-Z0 SHOWN

STANDARD (NON-REVERSIBLE) KEY  
SET PART NO. PK-10-01 (KEY  
CODE CH751 SINGLE ENTRY)  
SEE NOTES FOR DETAILS

REVERSIBLE STAMPED KEY  
SET PART NO. PK-10-01-KR001  
SEE NOTES FOR DETAILS



(DOOR THICKNESS  
BETWEEN 32-44.5  
[1.259-1.751])

# R3 - 20 - 3X0 - Z0

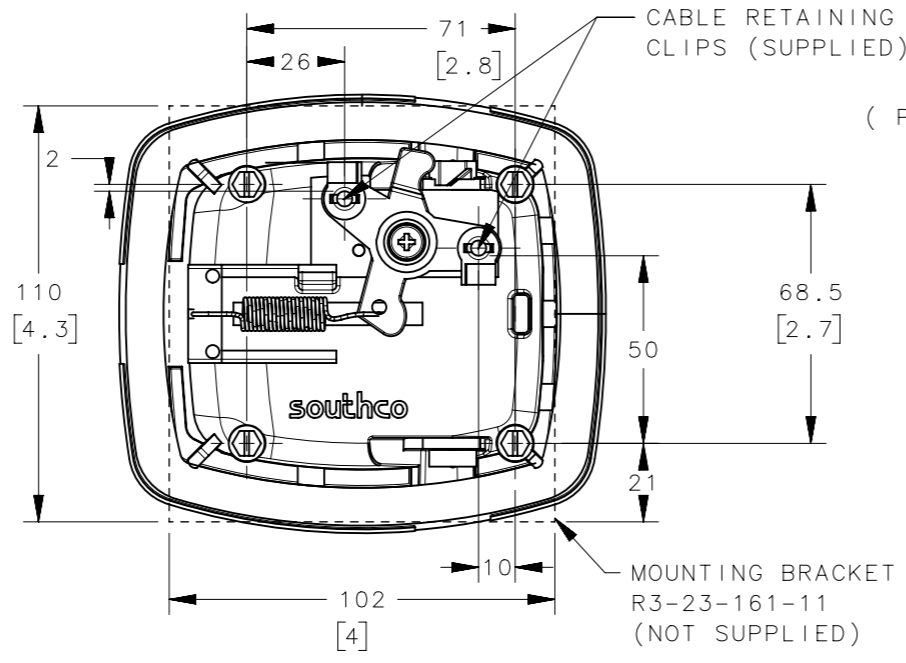
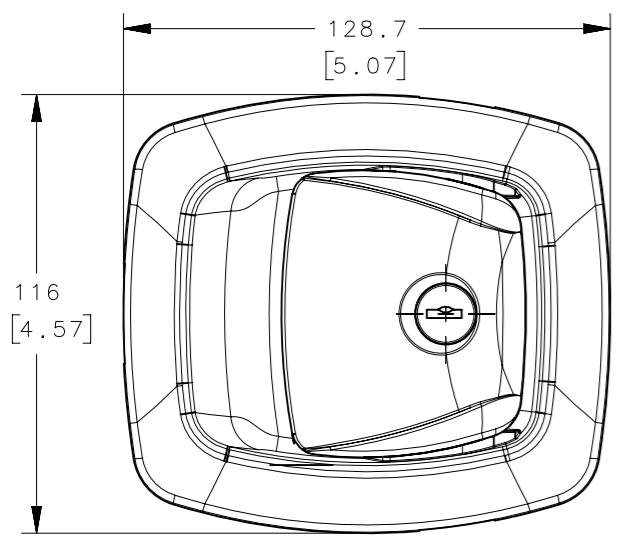
LATCH STYLE		FINISH	
0 = NON LOCKING	1 = POLISHED CHROME	5 = BLACK POWDER COATED	7 = WHITE POWDER COATED
1 = REVERSIBLE KEY NO KEYS-R001	2 = REVERSIBLE KEY 2 KEYS INCLUDED R001		
2 = REVERSIBLE KEY 2 KEYS INCLUDED CH751	4 = STANDARD KEY NO KEYS CH751		
3 = STANDARD KEY 2 KEYS INCLUDED CH751	9 = KEY LOCKING WITH NO LOCKPLUG		

NOTES:

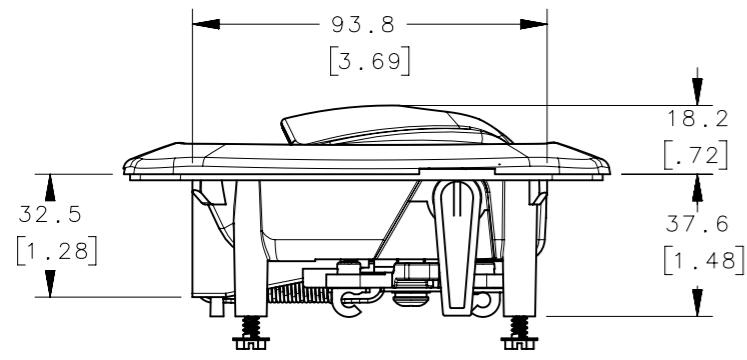
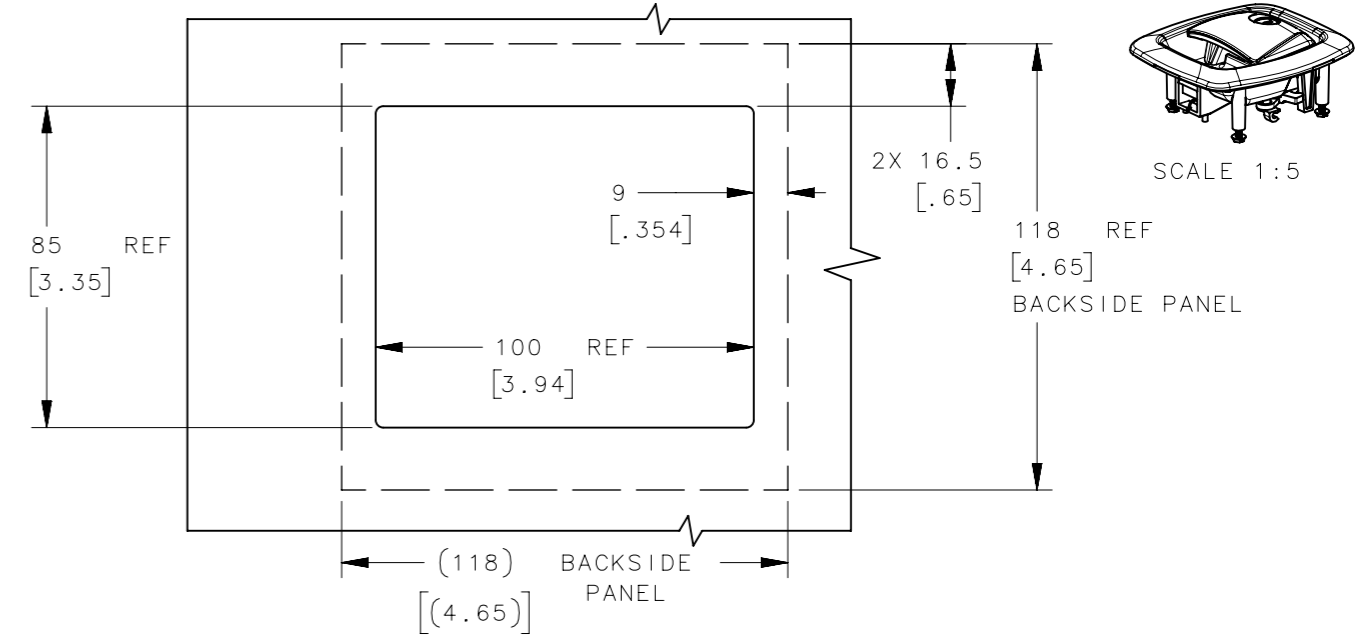
- MATERIAL: FRONT HOUSING AND PADDLE ARE ZINC DIE-CAST, POWDER COATED OR CHROME PLATED. SLIDING PAWL IS ZINC DIE-CAST OR PLASTIC; LINKAGE, HINGE PIN AND HINGE CAM ARE ZINC DIE-CAST DULL FINISH; PAWL LOADING SPRING IS 304 STAINLESS STEEL PASSIVATED.
- FINISH : BLACK OR WHITE UV STABILIZED POWDER COATING OR POLISH CHROME.
- MOUNTING BRACKETS AND HARDWARE ARE ORDERED SEPARATELY, SEE TRADE DRAWINGS PART No. J-R3-20-3-2 USING STANDARD BRACKET, J-R3-20-3-3 USING U-SHAPED BRACKET AND J-R3-20-3-4 USING EXTENDED MOUNTING BRACKET, FOR PANEL PREPARATION DETAILS AND HARDWARE.
- EMERGENCY DOOR RELEASE, EGRESS HANDLE IS AVAILABLE AS A CUSTOMER OPTION AND IS SOLD SEPARATELY KIT PART NO.R3-21-110 (INCLUDING HARDWARE), SEE TRADE DRAWING PART NO. J-R3-20-3-6.
- STRIKER AND MULTIPLE ACTIVATING RODS ARE NOT SUPPLIED. SEE ROD DIMENSIONS AND DETAILS ON TRADE DRAWING PART NO.J-R3-20-3-5.
- INSTALLATION INSTRUCTIONS: PREPARE THE RECTANGULAR HOLE IN THE DOOR PANEL AS DESCRIBED IN THE TRADE DRAWINGS MENTIONED ABOVE, FUNCTION OF MOUNTING BRACKET USED, INSERT THE BAGGAGE DOOR LATCH (BDL) HOUSING ASSEMBLY THROUGH THE FRONT PANEL OPENING, PLACE THE MOUNTING BRACKET ON THE BACK DOOR PANEL AND SECURE BOTH PARTS ON THE DOOR PANEL USING FOUR(4) #8 SELF-TAPPING SCREWS. MAKE SURE THE PAWL HOUSING IS SEATED IN THE U SHAPED CHANNEL. ADJUST THE FRONT PAWL HOUSING EDGE OF THE HOUSING AT THE SAME LEVEL/HEIGHT AS THE DOOR FRAME OPENING SURFACE AND TIGHTEN THE SCREW. MAKE SURE THE BDL IS VERTICAL OR HORIZONTAL ALIGNED. MAXIMUM RECOMMENDED TIGHTENING TORQUE ON MOUNTING SCREWS IS 2.8 Nm (25 IN LBS)
- TWO (2) KEYS PER RING SET ARE ORDERED SEPARATELY AND THEY CAN BE PACKED WITH THE LATCH OR IN BULK. THE KEY CODE IS PRINTED ON THE KEY AND ON A LABEL ON THE BACK OF THE BDL HOUSING ASSEMBLY. KEYS ARE AVAILABLE REVERSIBLE OR NON-REVERSIBLE KEYS SETS, AS REGULAR STAMPED KEYS OR WITH OVERMOLDED PLASTIC. SEE KEY SETS FOR DETAILS ON THIS DRAWING.
- PLUG REMOVAL KEYS PART NO. PK-11-03 FOR NON REVERSIBLE AND PK-11-16 FOR REVERSIBLE, ARE ORDERED SEPARATELY.

R3-2W-3XY-Z0	BAGGAGE DOOR LATCH ASSLY	SEE NOTE 1	SEE NOTE 2
PART NUMBER	TYPE OF COMPONENT	MATERIAL	FINISH
THIRD ANGLE PROJECTION			
MILLIMETERS [IN]			
TOLERANCES UNLESS OTHERWISE NOTED		DESCRIPTION	
ALL DIMENSIONS WITHOUT TOLERANCES ARE FOR REFERENCE ONLY.		BAGGAGE DOOR LATCH WITH SLIDE BOLT	
PROPRIETARY ITEM		SIZE	SYSTEM
EXCEPT FOR USES EXPRESSLY GRANTED IN WRITING, INFORMATION DISCLOSED HEREON IS CONFIDENTIAL AND ALL RIGHTS, PATENT AND OTHERWISE, ARE RESERVED BY SOUTHCO, INC.		A3	NX
PER ASME Y14.5M-1994		DWG NO.	J-R3-20-3-1
DRAWN BY		DATE	SCALE
EV		05AUG2006	1:2.5
		SHEET	1 OF 2

REVISION HISTORY			
REV	DATE	BY	DESCRIPTION
1	30MAY2022	CRM/DMS	PRN: P2022-1028

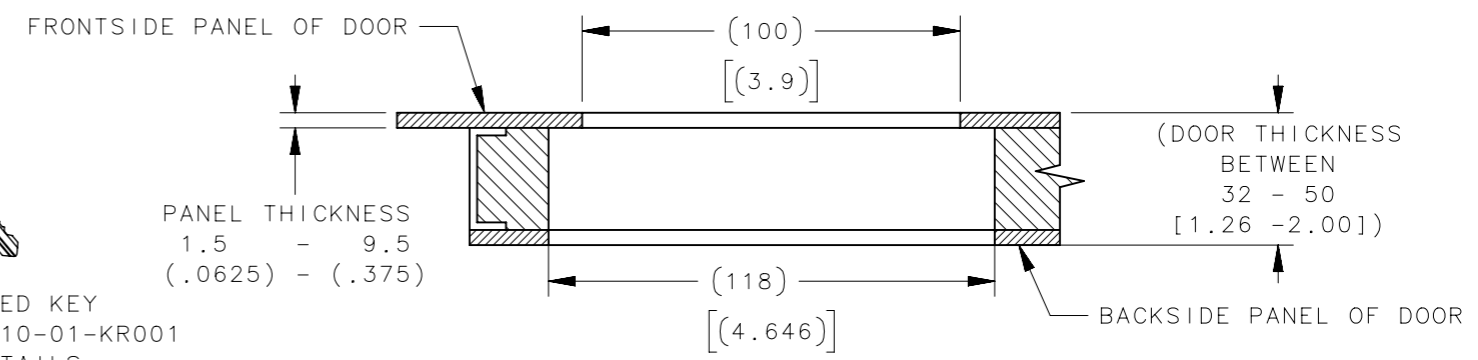


**PANEL PREPARATION**  
(PANEL PREPARATION SHOWN FOR MOUNTING BRACKET PART NO. R3-23-161-11)



STANDARD (NON-REVERSIBLE) KEY SET PART NO. PK-10-01 (KEY CODE CH751 SINGLE ENTRY) SEE NOTES FOR DETAILS

REVERSIBLE STAMPED KEY SET PART NO. PK-10-01-KR001 SEE NOTES FOR DETAILS



**R3 - 22 - 3X0 - Z0**

<b>LATCH STYLE</b>		<b>FINISH</b>	
0 = NON LOCKING	1 = REVERSIBLE KEY NO KEYS-R001	1 = POLISHED CHROME	5 = BLACK POWDER COATED
2 = REVERSIBLE KEY 2 KEYS INCLUDED R001	4 = STANDARD KEY NO KEYS CH751	7 = WHITE POWDER COATED	
5 = STANDARD KEY 2 KEYS INCLUDED CH751	9 = KEY LOCKING WITH NO LOCKPLUG		

**NOTES:**

- MATERIAL: FRONT HOUSING AND PADDLE ARE ZINC DIE-CAST, POWDER COATED OR CHROME PLATED. HINGE PIN AND HINGE CAM ARE ZINC DIE-CAST DULL FINISH; SPRING IS 304 STAINLESS STEEL PASSIVATED.
- FINISH: BLACK OR WHITE UV STABILIZED POWDER COATING OR POLISH CHROME.
- MOUNTING BRACKETS AND HARDWARE ARE ORDERED SEPARATELY, SEE TRADE DRAWING PART J-R3-20-3-3 USING U-SHAPED BRACKET FOR PANEL PREPARATION DETAILS AND HARDWARE.
- STRIKER AND MULTIPLE ACTIVATING RODS ARE NOT SUPPLIED. SEE ROD DIMENSIONS AND DETAILS ON TRADE DRAWING PART NO. J-R3-20-3-5.
- INSTALLATION INSTRUCTIONS: PREPARE THE RECTANGULAR HOLE IN THE DOOR PANEL AS DESCRIBED IN THE TRADE DRAWING MENTIONED ABOVE, FUNCTION OF MOUNTING BRACKET USED, INSERT THE BAGGAGE DOOR LATCH (BDL) HOUSING ASSEMBLY THROUGH THE FRONT PANEL OPENING, PLACE THE MOUNTING BRACKET ON THE BACK DOOR PANEL AND SECURE BOTH PARTS ON THE DOOR PANEL USING FOUR(4) #8 SELF-TAPPING SCREWS. MAXIMUM RECOMMENDED TIGHTENING TORQUE ON MOUNTING SCREWS IS 2.8 Nm (25 IN LBS)
- TWO (2) KEYS PER RING SET ARE ORDERED SEPARATELY AND THEY CAN BE PACKED WITH THE LATCH OR IN BULK. THE KEY CODE IS PRINTED ON THE KEY AND ON A LABEL ON THE BACK OF THE BDL HOUSING ASSEMBLY. KEYS ARE AVAILABLE REVERSIBLE OR NON-REVERSIBLE KEYS SETS, AS REGULAR STAMPED KEYS OR WITH OVERMOLDED PLASTIC. SEE KEY SETS FOR DETAILS ON THIS DRAWING.
- PLUG REMOVAL KEYS PART NO. PK-11-03 FOR NON REVERSIBLE AND PK-11-16 FOR REVERSIBLE, ARE ORDERED SEPARATELY.
- CAN BE CONFIGURED WITH ONE OR TWO CABLES. CABLE TYPE 7 RECOMMENDED. CABLE MOUNTING BRACKETS SOLD SEPARATELY.

R3-2W-3XY-Z0	BAGGAGE DOOR LATCH ASSLY	SEE NOTE 1	SEE NOTE 2
PART NUMBER	TYPE OF COMPONENT	MATERIAL	FINISH
THIRD ANGLE PROJECTION		 CONNECT · CREATE · INNOVATE	
MILLIMETERS [IN]			
TOLERANCES UNLESS OTHERWISE NOTED		DESCRIPTION	
ALL DIMENSIONS WITHOUT TOLERANCES ARE FOR REFERENCE ONLY.		BAGGAGE DOOR LATCH NO PAWL	
PROPRIETARY ITEM EXCEPT FOR USES EXPRESSLY GRANTED IN WRITING, INFORMATION DISCLOSED HEREON IS CONFIDENTIAL AND ALL RIGHTS, PATENT AND OTHERWISE, ARE RESERVED BY SOUTHCO, INC.		SIZE A3	SYSTEM NX
PER ASME Y14.5M-1994		DWG NO. J-R3-20-3-1	
		DRAWN BY EV	DATE 05AUG2006
		SCALE 1:2	SHEET 2 OF 2