

southco®

PROPRIETARY ITEM - EXCEPT FOR USES EXPRESSLY GRANTED IN WRITING INFORMATION DISCLOSED. HEREON IS CONFIDENTIAL AND ALL RIGHTS PATENT AND OTHERWISE ARE RESERVED BY SOUTHCO, INC.

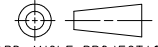
SOUTHCO R2 ROTO LOCK

DATE	DRAWN	CHKD	SCALE	DRAWING NUMBER
09NOV93	KWC		.5:1	J-R2-0259

REV	DATE	DRAWN/CHKD	DESCRIPTION	PART NUMBER	MATERIAL	FINISH
A	27JUL2000	JGK	PRN: R2-34	R2-0259-02	SEE NOTE A	SEE NOTE A
B	09MAY2003	AJH/MJS	PRN: P2003-0347			
C	05APR2011	ACH	PRN: P2010-1371			

INCHES

ALL DIMENSIONS WITHOUT TOLERANCES ARE FOR REFERENCE ONLY.

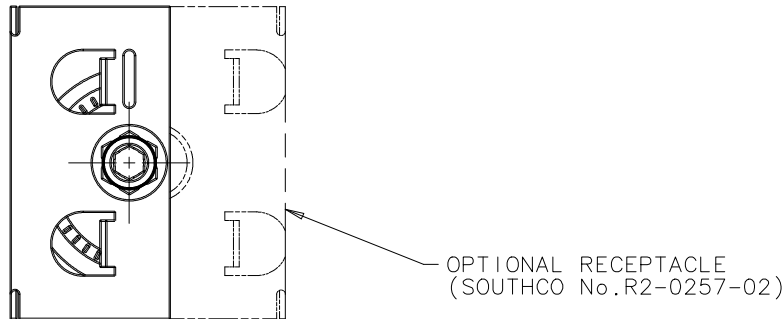
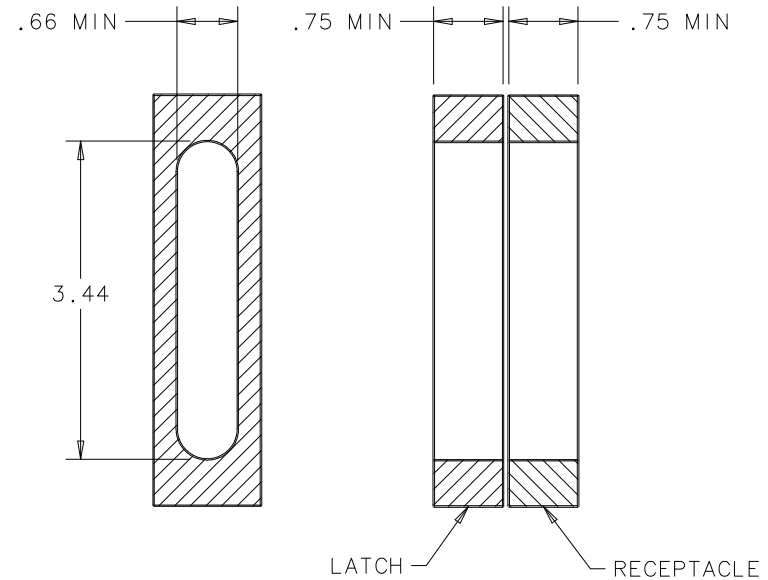
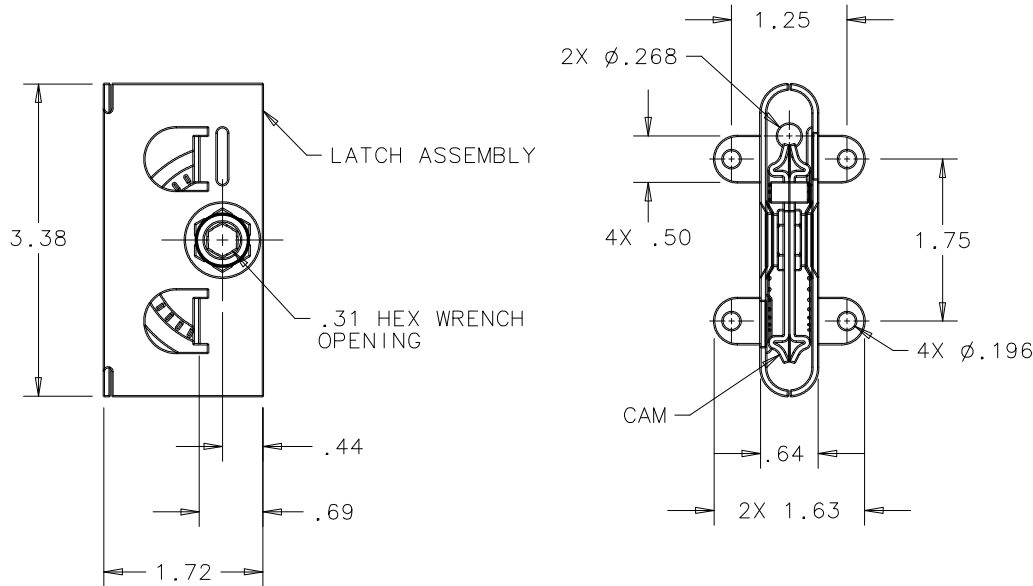


THIRD ANGLE PROJECTION

A
PAPER
SIZE

NOTES:

A. CAM, LATCH ASSEMBLY AND RECEPTACLE MATERIAL AND FINISH: CARBON STEEL, ZINC PLATED PLUS BRIGHT CHROMATE FINISH.



PANEL PREPARATION