

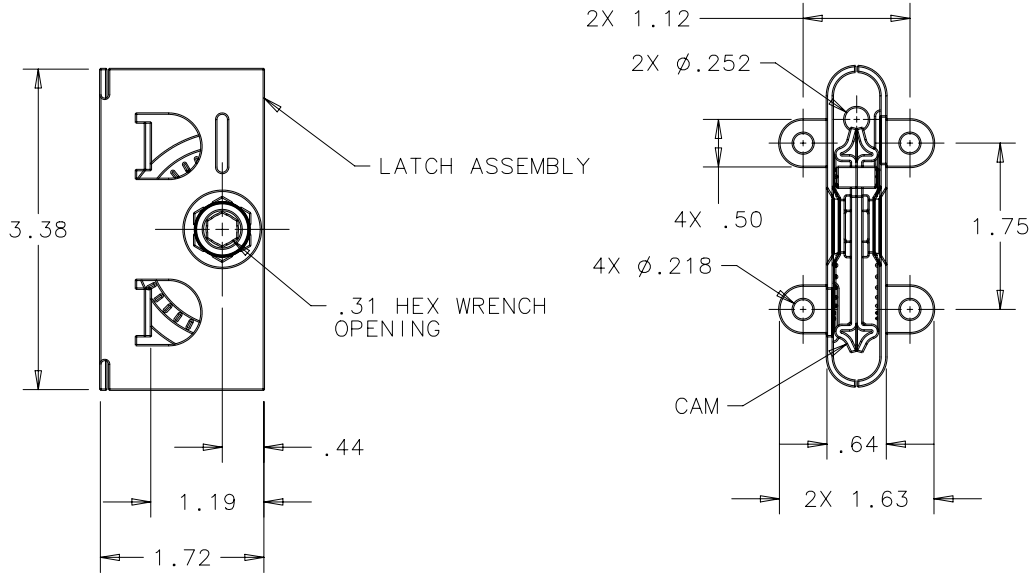
REV	DATE	DRAWN/CHKD	DESCRIPTION	PART NUMBER	MATERIAL	FINISH
A	07JUN96	MSB	PRN: R2-12	R2-0169-02	SEE NOTE A	SEE NOTE A
B	09MAY2003	AJH/MJS	PRN: P2003-0347			
C	12JUN2006	RLR/MJS	PRN: P2006-0808			

INCHES

ALL DIMENSIONS WITHOUT TOLERANCES ARE FOR REFERENCE ONLY.

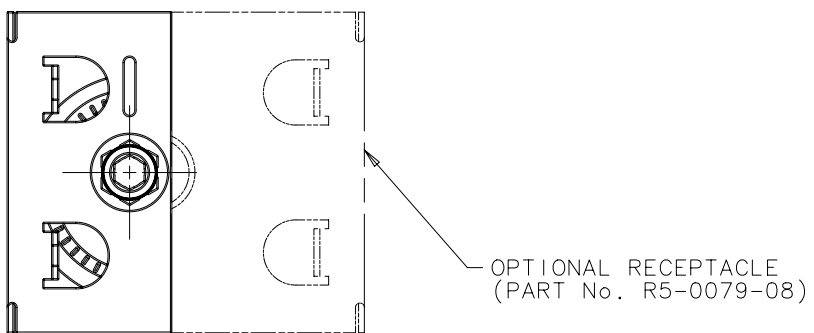
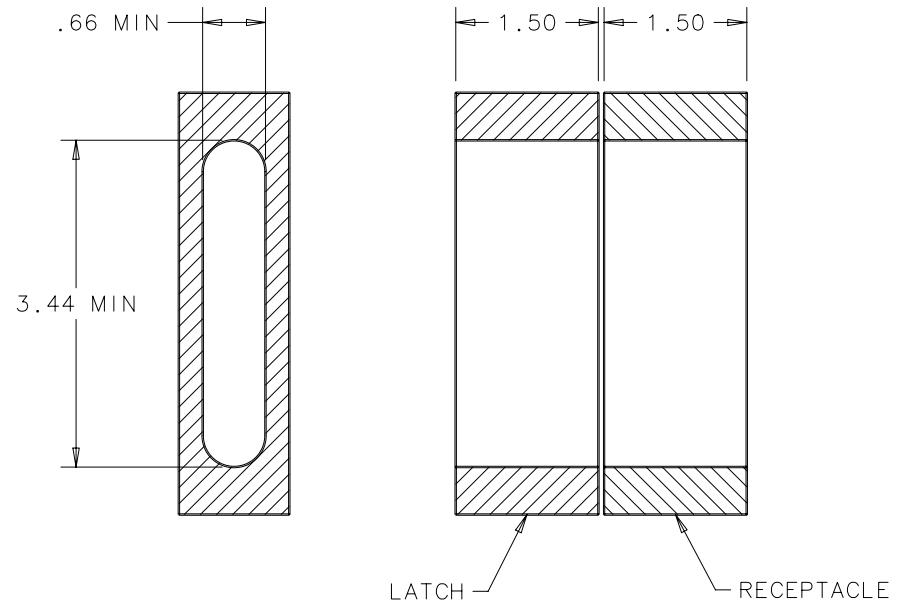
THIRD ANGLE PROJECTION

A PAPER SIZE



NOTES:

A. CAM, LATCH ASSEMBLY, AND RECEPTACLE MATERIAL AND FINISH: CARBON STEEL, ZINC PLATED PLUS BRIGHT CHROMATE FINISH.



PANEL PREPARATION