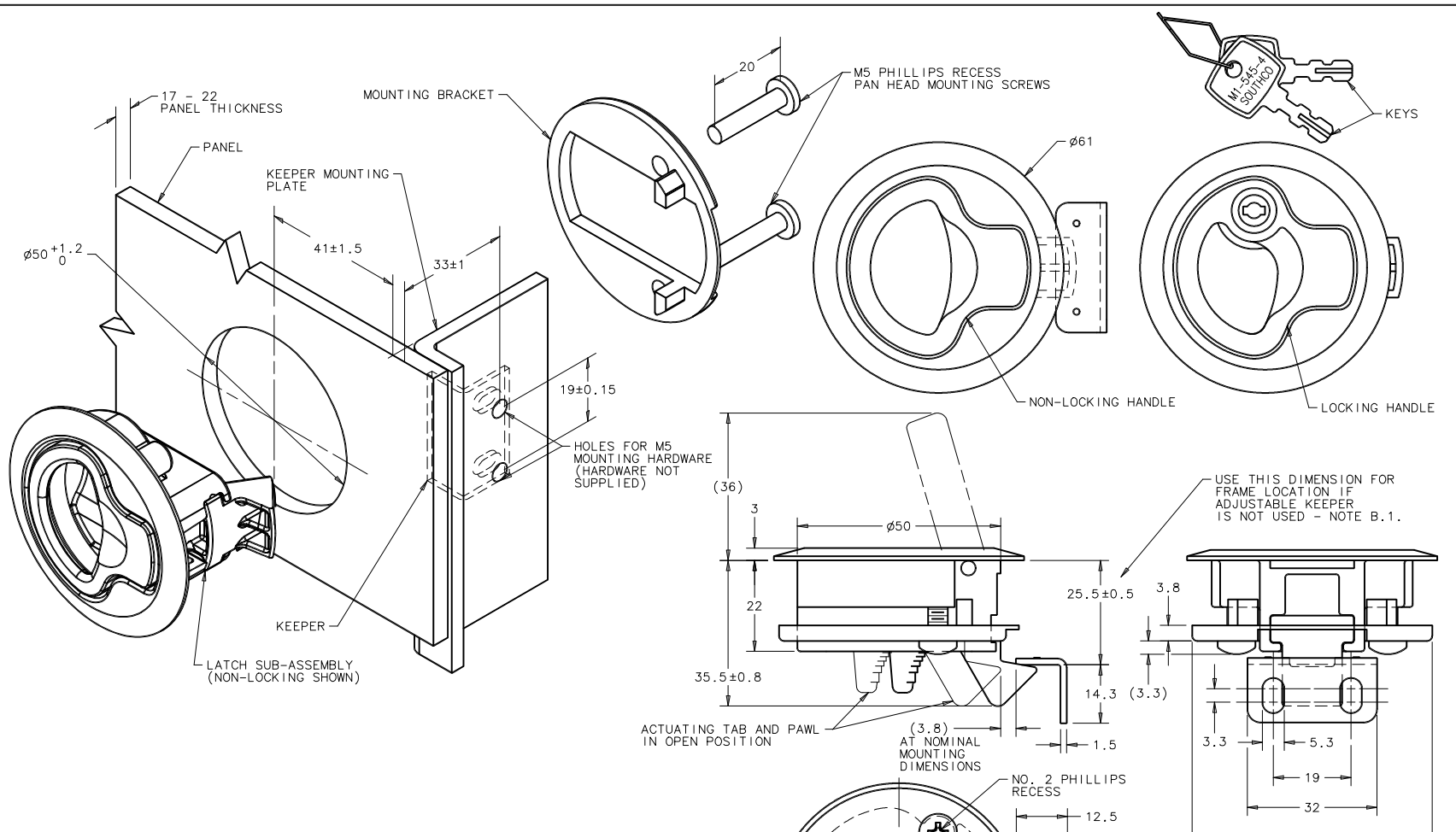
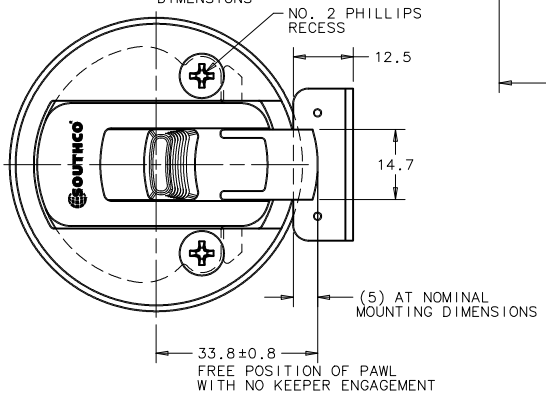


Proprietary Item - Expert for uses expressly granted in writing information disclosed herein is confidential and all rights patent and otherwise are reserved by Southco, Inc.	SOUTHCO FLUSH-PULL™ LATCH METRIC ASSEMBLY			DATE: 31/01/09 JOK: 1:1 SCALE: 1:1 DRAWING NUMBER: J-M1-64
	REVISION G 12/02/002/R/LR/DLH H 19/02/004/MDY/AJH	PART NUMBER M1-44 M1-64	MATERIAL SEE NOTE A PC/PBT BLEND BLACK 304 STAINLESS STEEL PASSIVATED 300 SERIES STAINLESS STEEL PASSIVATED	REMARKS LOCKABLE NON-LOCKING DIMENSIONS ON TOLERANCE, UNLESS OTHERWISE NOTED -0.25 A3 PAPER SIZE THIRD ANGLE PROJECTION
	ITEM ASSEMBLY M1-44 LATCH SUB-ASSEMBLY MOUNTING BRACKET KEPPER MOUNTING SCREWS (2)	FINISH SEE NOTE A BLACK PASSIVATED	SEE NOTE A PC/PBT BLEND BLACK PASSIVATED	



NOTES:

- A. MATERIAL AND FINISH:**
- LATCH SUB-ASSEMBLY CONSISTS OF HOUSING AND HANDLE
 - PC/PBT BLEND, BLACK
 - PAWL: ACETAL, BLACK
 - SPRING: 302 STAINLESS STEEL, PASSIVATED
 - PIN: 302 STAINLESS STEEL, PASSIVATED PLUS BLACK OXIDE
 - LOCK: MINERAL FILLED NYLON, BLACK
 - KEYS: 301 STAINLESS STEEL, PASSIVATED
- B. APPLICATION:**
1. IF ADJUSTABLE KEEPER IS NOT USED, EDGE OF KEEPER SURFACE WHICH PAWL SLIDES AGAINST MUST HAVE 0.5 RADIUS MIN.
 2. MAX. TIGHTENING TORQUE ON MOUNTING SCREWS IS 1.7 Nm.
 3. MAXIMUM RECOMMENDED WORKING LOAD EXERTED BY KEEPER ON PAWL IS 285 N. AVERAGE ULTIMATE LOAD IS 530 N.



USE THIS DIMENSION FOR FRAME LOCATION IF ADJUSTABLE KEEPER IS NOT USED - NOTE B.1.