

REV	DATE	DRWN/CHKD	DESCRIPTION
D	03NOV2004	JWJ/AJH	PRN: P2004-1277
E	21MAR2005	JWJ/VNI	PRN: P2005-0365
F	08DEC2005	JAAB/MDY	PRN: P2005-1759

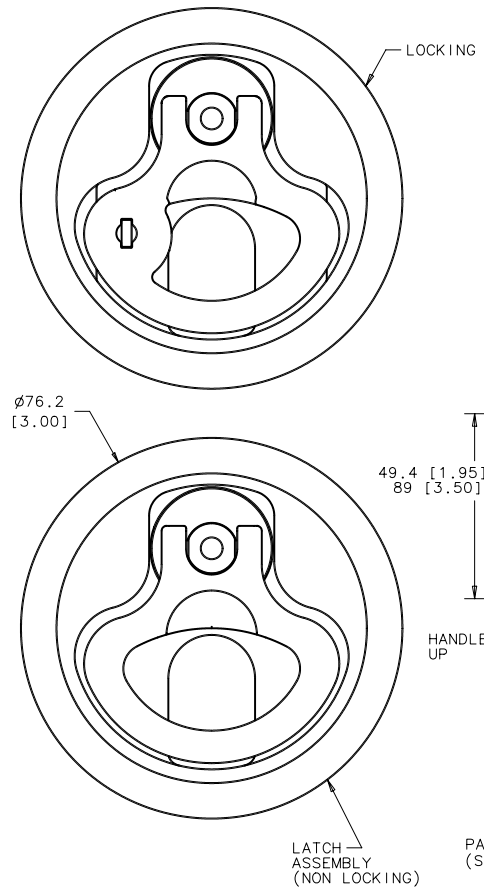
ALL DIMENSIONS ARE IN MILLIMETERS [INCHES]. ALL DIMENSIONS WITHOUT TOLERANCES ARE FOR REFERENCE ONLY.



PANEL THICKNESS	GRIP		SHORT REACH PART NUMBER	LONG REACH PART NUMBER
	MIN	MAX		
2 TO 12 [.075 TO .475]	23.5 [.93]*	35 [1.38]	M1-25-X1-58	M1-25-X1-88
	34 [1.34]	48 [1.89]	M1-25-X1-48	M1-25-X1-78
	47 [1.85]	61 [2.40]	M1-25-X1-38	M1-25-X1-68
	60 [2.36]	75 [2.95]	M1-25-X1-48	M1-25-X1-78
	74 [2.91]	88 [3.47]	M1-25-X1-58	M1-25-X1-88
12 TO 22.5 [.475 TO .885]	23.5 [.93]*	35 [1.38]	M1-25-X2-58	M1-25-X2-88
	34 [1.34]	48 [1.89]	M1-25-X2-48	M1-25-X2-78
	47 [1.85]	61 [2.40]	M1-25-X2-38	M1-25-X2-68
	60 [2.36]	75 [2.95]	M1-25-X2-48	M1-25-X2-78
	74 [2.91]	88 [3.47]	M1-25-X2-58	M1-25-X2-88
18.5 TO 29 [.75 TO 1.14]	22.5 [.89]*	35 [1.38]	M1-25-X3-58	M1-25-X3-88
	34 [1.34]	48 [1.89]	M1-25-X3-48	M1-25-X3-78
	47 [1.85]	61 [2.40]	M1-25-X3-38	M1-25-X3-68
	60 [2.36]	75 [2.95]	M1-25-X3-48	M1-25-X3-78
	74 [2.91]	88 [3.47]	M1-25-X3-58	M1-25-X3-88

* SEE NOTE 1

FRONT VIEWS
SCALE 1:1



- NOTES:
- GRIPS UNDER 33.5 [1.32] (30 [1.18] FOR LONG PAWL) ARE AFFECTED BY PANEL THICKNESS. USE THE FOLLOWING CHART TO DETERMINE YOUR MINIMUM GRIP BY ADDING THE OFFSET VALUE TO YOUR PANEL THICKNESS.
- | PART NUMBER | OFFSET VALUE |
|-------------|--------------|
| M1-25-X1-58 | 21.5 [.85] |
| M1-25-X2-58 | 11.5 [.45] |
| M1-25-X3-58 | 4 [.12] |
| M1-25-X1-88 | 18 [.71] |
| M1-25-X2-88 | 8 [.32] |
| M1-25-X3-88 | 0.5 [.02] |
- FOR LONG PAWL ASSEMBLIES WHERE ONLY A 90° TURN IS DESIRED, A MINIMUM GRIP OF 22 CAN BE OBTAINED FOR ALL PANEL THICKNESSES.
 - X = 3 - NON LOCKING
= 8 - LOCKING

- MATERIAL AND FINISH:
- ALL VERSIONS:
- HOUSING, HANDLE, AND MOUNTING BRACKETS: CF-8M STAINLESS STEEL (NOMINAL CAST EQUIVALENT OF 316 STAINLESS STEEL), ELECTROPOLISHED
 - STUD AND JAM NUTS: 316 STAINLESS STEEL, PASSIVATED
 - WEAR WASHER: NYLON, GRAY
 - O-RINGS: BUNA-N, NATURAL
 - PINS, PAWLS, SPRING AND SCREWS: 300 SERIES STAINLESS STEEL, PASSIVATED
 - SLEEVE: ACETAL, BLACK
 - GASKET: NEOPRENE, BLACK
- LOCKING ONLY:
- LOCKPLUG: CF-8M STAINLESS STEEL
 - RETAINER: 301 STAINLESS STEEL, PASSIVATED
 - LOCKPLUG O-RING: BUNA-N, NATURAL
 - KEYS: 300 SERIES STAINLESS STEEL

