

REV	DATE	DRWN/CHKD	DESCRIPTION
A	03NOV2004	JWJ/AJH	PRN: P2004-1280
B	21MAR2005	JWJ/VNI	PRN: P2005-0366
C	24JUN2005	DJK/RLR	PRN: P2005-0858
D	08DEC2005	AAB/MDY	PRN: P2005-1759
E	19OCT2012	CMS/MP	PRN: P2012-1410

MILLIMETERS [INCHES]
MILLIMETERS [INCHES]

ALL DIMENSIONS WITHOUT TOLERANCES ARE FOR REFERENCE ONLY.



PANEL THICKNESS	GRIP		SHORT REACH PART NUMBER	LONG REACH PART NUMBER
	MIN	MAX		
2 TO 12 [.075 TO .475]	21 [1.83] *	28 [1.10] *	M1-20-X1-58	M1-20-X1-88
	27 [1.06] *	40 [1.57]	M1-20-X1-48	M1-20-X1-78
	39 [1.53]	52 [2.04]	M1-20-X1-38	M1-20-X1-68
	51 [2.01]	64 [2.52]	M1-20-X1-48	M1-20-X1-78
	63 [2.48]	76 [3.00]	M1-20-X1-58	M1-20-X1-88
12 TO 22.5 [.475 TO .885]	21 [1.83] *	28 [1.10] *	M1-20-X2-58	M1-20-X2-88
	27 [1.06] *	40 [1.57]	M1-20-X2-48	M1-20-X2-78
	39 [1.53]	52 [2.04]	M1-20-X2-38	M1-20-X2-68
	51 [2.01]	64 [2.52]	M1-20-X2-48	M1-20-X2-78
	63 [2.48]	76 [3.00]	M1-20-X2-58	M1-20-X2-88
18.5 TO 29 [.73 TO 1.14]	21 [1.83] *	28 [1.10] *	M1-20-X3-58	M1-20-X3-88
	27 [1.06] *	40 [1.57]	M1-20-X3-48	M1-20-X3-78
	39 [1.53]	52 [2.04]	M1-20-X3-38	M1-20-X3-68
	51 [2.01]	64 [2.52]	M1-20-X3-48	M1-20-X3-78
	63 [2.48]	76 [3.00]	M1-20-X3-58	M1-20-X3-88

* SEE NOTE A

NOTES:

A. GRIPS UNDER 35 [1.38] ARE AFFECTED BY PANEL THICKNESS. USE THE FOLLOWING CHART TO DETERMINE YOUR MINIMUM GRIP BY ADDING THE OFFSET VALUE TO YOUR PANEL THICKNESS:

PART NUMBER	OFFSET VALUE
M1-20-X1-48	19 [.75]
M1-20-X1-58	
M1-20-X1-78	
M1-20-X1-88	9 [.35]
M1-20-X2-48	
M1-20-X2-58	
M1-20-X2-78	
M1-20-X2-88	2.5 [.10]
M1-20-X3-48	
M1-20-X3-58	
M1-20-X3-88	

MATERIAL AND FINISH

- ALL VERSIONS:
- HANDLE: CF-8M STAINLESS STEEL (NOMINAL CAST EQUIVALENT OF 316 STAINLESS STEEL), ELECTROPOLISHED
 - PINS AND PAWLS: 302 STAINLESS STEEL, PASSIVATED
 - STUD AND JAM NUTS: 316 STAINLESS STEEL, PASSIVATED
 - WEAR WASHER: NYLON, GRAY
 - O-RINGS: BUNA-N, NATURAL
 - SPRING AND SCREWS: 300 SERIES STAINLESS STEEL, PASSIVATED
 - SLEEVE: ACETAL, BLACK
 - GASKET: NEOPRENE, BLACK

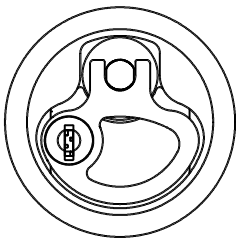
LOCKING ONLY:

- LOCKPLUG: CF-8M STAINLESS STEEL
- RETAINER: 301 STAINLESS STEEL, PASSIVATED
- LOCKPLUG O-RING: BUNA-N, NATURAL
- KEYS: 300 SERIES STAINLESS STEEL

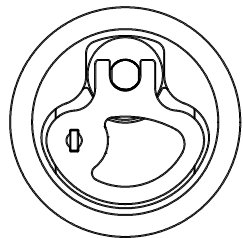
KEY LOCKING ONLY:

- LOCKPLUG BODY: 316 STAINLESS STEEL
- RETAINER: 301 STAINLESS STEEL
- WAFERS: BRASS
- SPRINGS: 300 SERIES STAINLESS STEEL
- KEYS: BRASS, NICKEL PLATED; OVERMOLD: ABS PLASTIC

- B. X = 3 - NON LOCKING (ROUND HOUSING ONLY)
 = 8 - LOCKING (ROUND HOUSING ONLY)
 = 9 - KEY LOCKING (ROUND HOUSING ONLY)

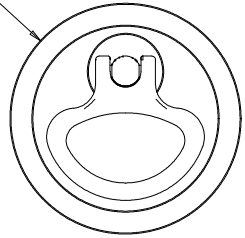


LATCH ASSEMBLY (KEY LOCKING)

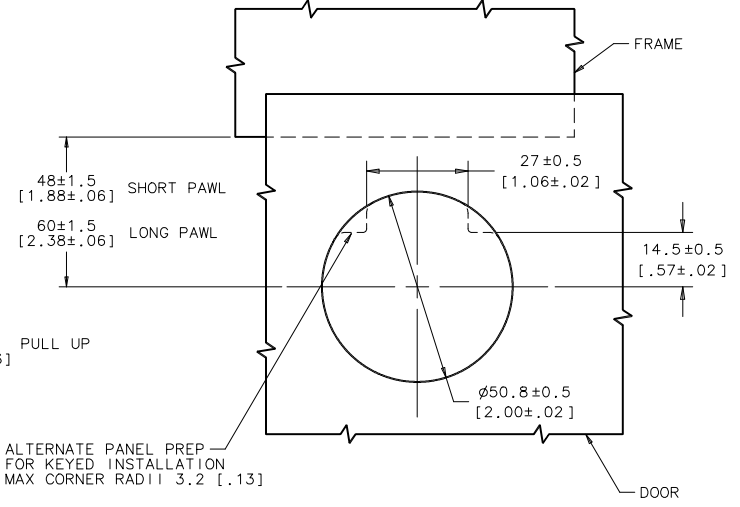
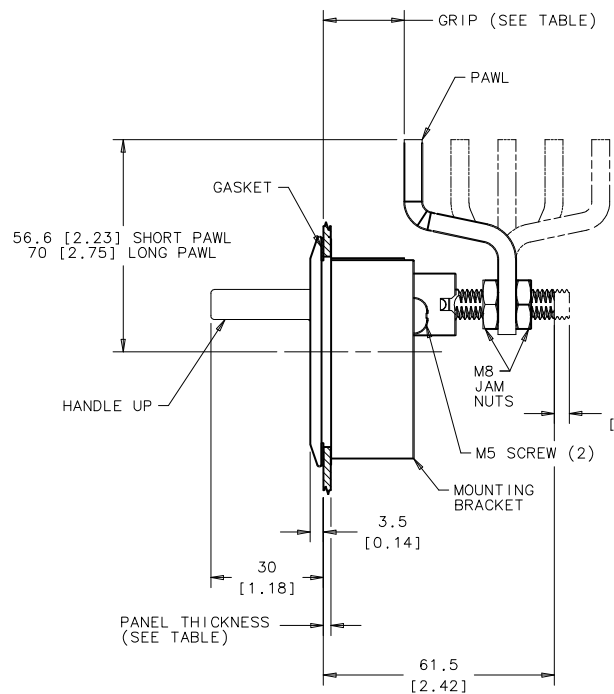


LATCH ASSEMBLY (LOCKING)

ø61.3 [2.41]



LATCH ASSEMBLY (NON-LOCKING)



PANEL PREPARATION