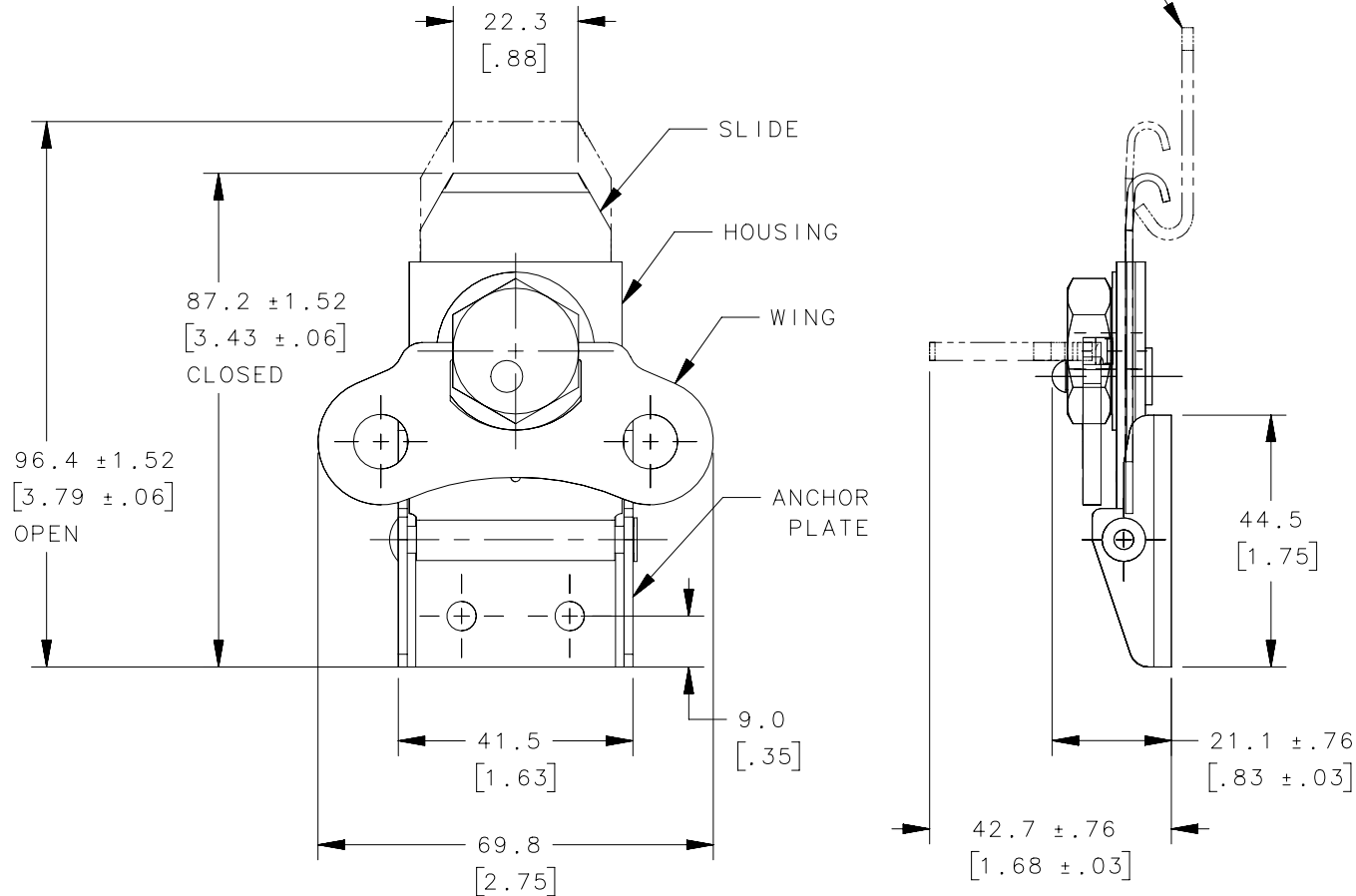
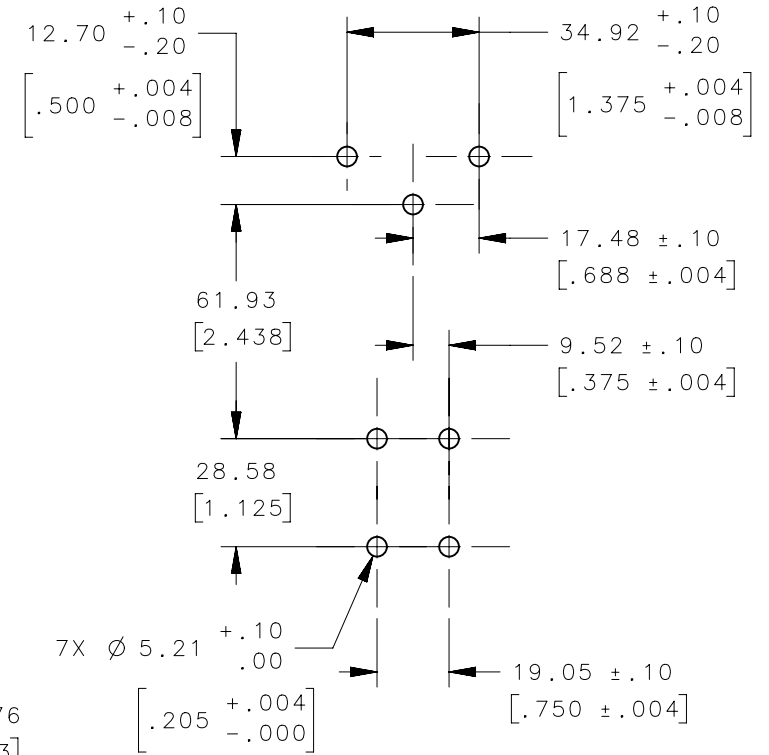


REVISION HISTORY			
REV	DATE	BY	DESCRIPTION
A	11 JAN 2012	DMS/YGC	PRN: P2012-0019

OPTIONAL KEEPER PLATE
PART NUMBER K5-2811-07



SUGGESTED PANEL PREPARATION



SCALE 0.5:1

K5-2812-07	SEE NOTE A	SEE NOTE B
PART NUMBER	MATERIAL	FINISH

NOTES:

A. MATERIAL :-

ANCHOR PLATE, WING, ANCHOR PLATE RIVET AND LOWER CAM: CARBON STEEL
HOUSING AND SLIDE: HARDENED ALLOY STEEL.
UPPER CAM: POWDER METAL
CAM RIVET AND CAM SPRING: STAINLESS STEEL

B. FINISH :-

ANCHOR PLATE, WING, ANCHOR PLATE RIVET, LOWER CAM, HOUSING, SLIDE AND UPPER CAM: ZINC PLATE, BRIGHT CHROMATE DIP.

	THIRD ANGLE PROJECTION			
	MILLIMETERS [IN]			
	TOLERANCES UNLESS OTHERWISE NOTED	DESCRIPTION		
	ALL DIMENSIONS WITHOUT TOLERANCES ARE FOR REFERENCE ONLY.	K5 LINK LOCK RIVET ANCHOR PLATE		
PROPRIETARY ITEM EXCEPT FOR USES EXPRESSLY GRANTED IN WRITING, INFORMATION DISCLOSED HEREON IS CONFIDENTIAL AND ALL RIGHTS, PATENT AND OTHERWISE, ARE RESERVED BY SOUTHCO, INC.	PER ASME Y14.5M-1994	SIZE A4	SYSTEM NX	DWG NO. J-K5-2812
		DRAWN BY JPA/DLH	DATE 10 APR 2002	SCALE 0.75:1
				SHEET 1 OF 1