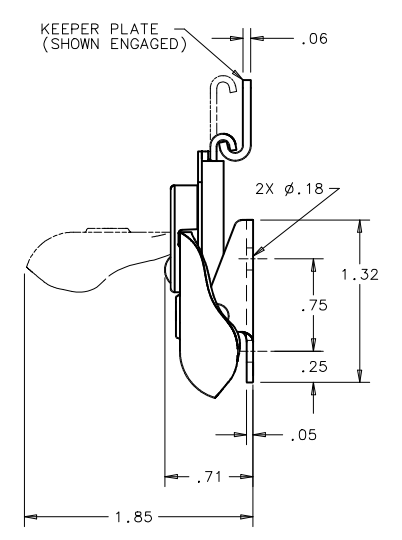
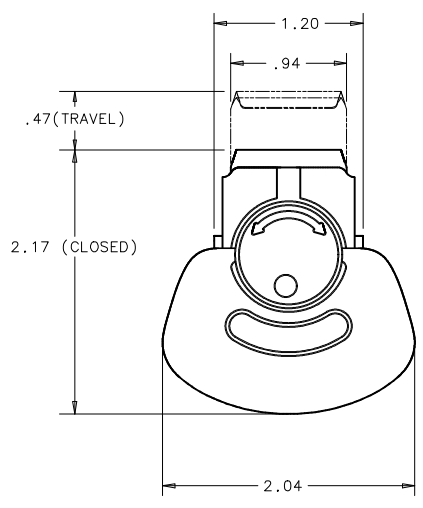
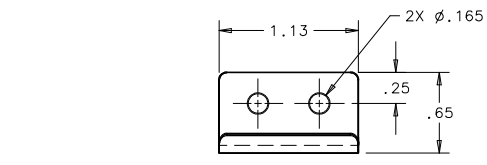
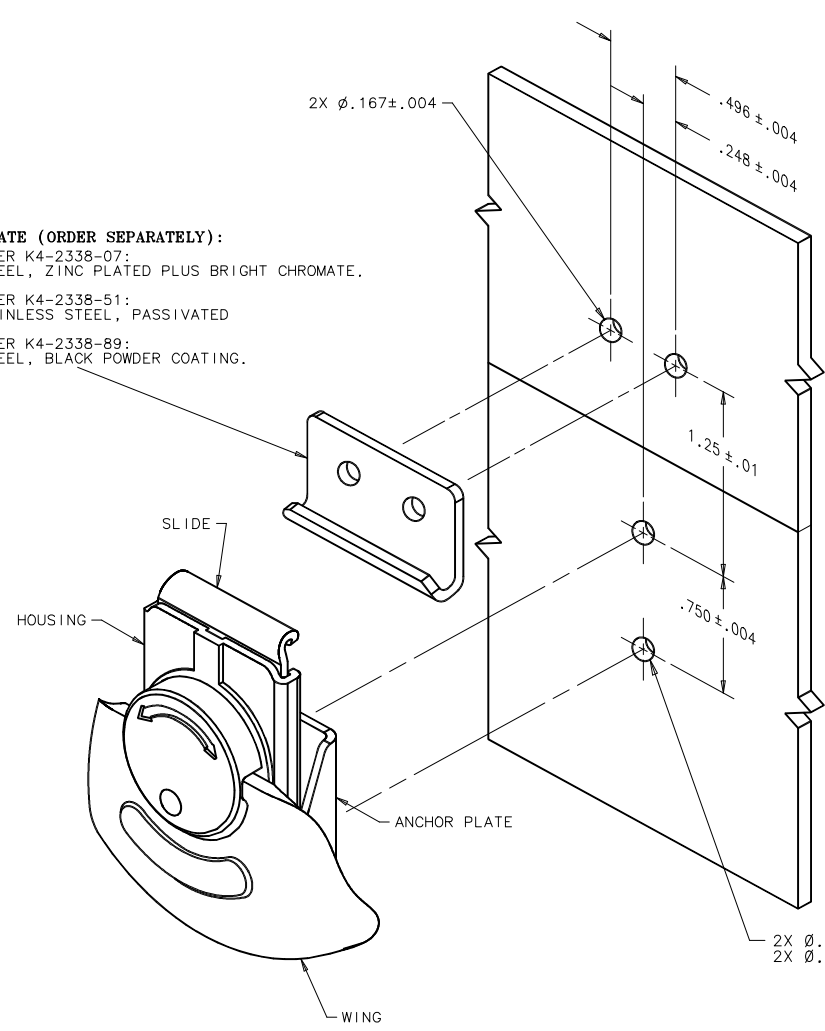
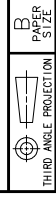


southco	PROPRIETARY ITEM. EXCEPT FOR USES EXPRESSLY INDICATED HEREON, THIS DRAWING IS CONFIDENTIAL AND ALL RIGHTS PATENT AND OTHERWISE ARE RESERVED BY SOUTHCOD, INC.	No. K2 ROTARY ACTION DRAW LATCH, FIXED VERSION		DATE	DRAWN	CHKD	SCALE	DRAWING NUMBER
	REV	DATE	DRAWN/CHKD	DESCRIPTION	08APR96	CEA	JSS 1:1	J-K2-3001-E
F	25APR2003	SCR/AJH	PRN: P2003-0157					INCHES
G	02JUN2022	GMS/DMS	PRN: P2022-1022					
								ALL DIMENSIONS WITHOUT TOLERANCES ARE FOR REFERENCE ONLY.



KEEPER PLATE (ORDER SEPARATELY):
 PART NUMBER K4-2338-07:
 1020 STEEL, ZINC PLATED PLUS BRIGHT CHROMATE.
 PART NUMBER K4-2338-51:
 304 STAINLESS STEEL, PASSIVATED
 PART NUMBER K4-2338-89:
 1020 STEEL, BLACK POWDER COATING.

MATERIAL AND FINISH:

ASSEMBLY PART NUMBER K2-3001-07:
 ANCHOR PLATE, WING, HOUSING, LOWER CAM:
 1020 STEEL, ZINC PLATED PLUS BRIGHT CHROMATE.
 UPPER CAM:
 1008 STEEL, ZINC-PLATED PLUS BRIGHT CHROMATE.
 SLIDE:
 1055 HARDENED STEEL, ZINC PLATED PLUS BRIGHT CHROMATE.
 CAM RIVET AND SPRING:
 302 STAINLESS STEEL, PASSIVATED
 ANCHOR PLATE RIVET:
 300 SERIES STAINLESS STEEL, PASSIVATED

ASSEMBLY PART NUMBER K2-3001-89:
 ANCHOR PLATE, WING, HOUSING, LOWER CAM:
 1020 STEEL, BLACK POWDER COATING.
 UPPER CAM:
 1008 STEEL, BLACK POWDER COATING.
 SLIDE:
 1055 HARDENED STEEL, BLACK POWDER COATING.
 CAM RIVET AND SPRING:
 302 STAINLESS STEEL, BLACK POWDER COATING.
 ANCHOR PLATE RIVET:
 300 SERIES STAINLESS STEEL, PASSIVATED

ASSEMBLY PART NUMBER K2-3001-51:
 ANCHOR PLATE, WING, HOUSING, LOWER CAM, SLIDE:
 304 STAINLESS STEEL, PASSIVATED.
 UPPER CAM:
 316 STAINLESS STEEL, PASSIVATED.
 ANCHOR PLATE RIVET:
 300 SERIES STAINLESS STEEL, PASSIVATED.
 CAM RIVET AND SPRING:
 302 STAINLESS STEEL, PASSIVATED.