

southco
 PROPRIETARY ITEM - EXCEPT FOR USE EXPRESSLY GRANTED IN WRITING INFORMATION IS UNCLASSIFIED HEREON IS CONFIDENTIAL AND ALL RIGHTS ARE RESERVED BY SOUTHCO, INC.

REV	DATE	DRAWN/CHKD	DESCRIPTION	DESCRIPTION	MATERIAL	FINISH/COLOR	DESCRIPTION	MATERIAL	FINISH/COLOR
A	03NOV2008	IR/DLH	RELEASED FOR PRODUCTION	HANDLE	ZAMAC 3	BLACK POWDERCOAT	DISC SPRING	STEEL	Z ING PLATE
B	09 DEC 08	IR/ACH	IR/ACH PRN: P2008-1345	HOUSING CUP			DUMMY CAM		
C	04 FEB 09	IR/ACH	IR/ACH PRN: P2009-0162	TOOL ACTUATOR SHAFT			CAM SCREW		
D	22AUG2011	MS/MSR	MS/MSR PRN: P2011-1073	ROTATION LIMITER		NATURAL	WAVE WASHER		
E	22SEP2014	CMS/BGL	CMS/BGL PRN: P2014-1872	LOCKING PAWL		CHROME PLATE	PADLOCK HASP		
F	08OCT2018	CMS/CDW	CMS/CDW PRN: P2018-2534	DIN LOCK ASSY		NATURAL/BLACK	RETAINER		
G	15JUL2021	CMS/DMS	CMS/DMS PRN: P2021-1399	DIN DUST COVER	SANTOPRENE		SCREW O-RINGS		

SWINGHANDLE LATCH, ACTUATOR, OUTDOOR, 25x150 SIZE

DRAWING NUMBER	DRAWN/CHKD	SCALE	DATE	MATERIAL	FINISH/COLOR
J-H3-60-301-1	IR/ACH	DMS	26 JUN 08	STEEL	

DRAWING NUMBER: J-H3-60-301-1
 MILLIMETERS
 ALL DIMENSIONS WITHOUT TOLERANCES ARE FOR REFERENCE ONLY.
 A3 PAPER SIZE
 THIRD ANGLE PROJECTION
 SHEET 1 OF 2

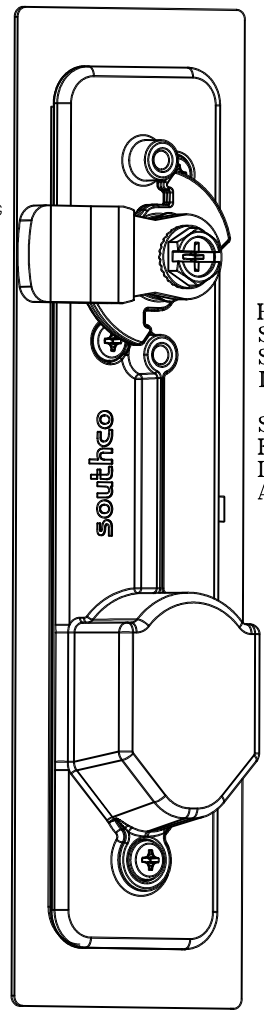
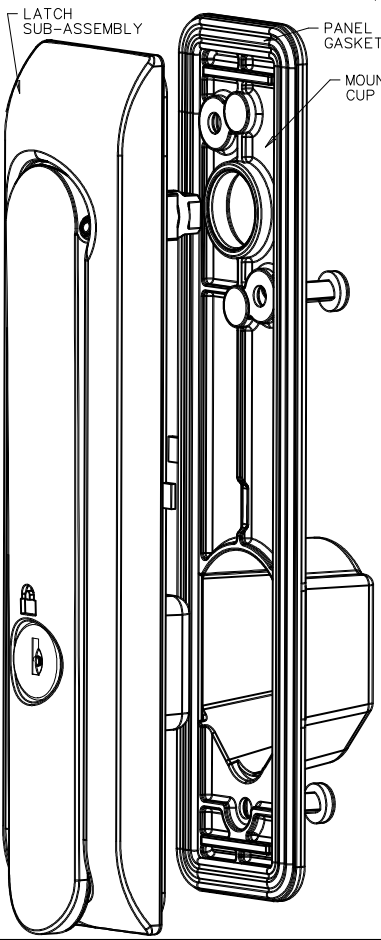
PART NUMBER: H3-60-A LL -1 FF

- PADLOCK/SERIES: 1, 2 = COVERED IN J-H3-60-101-0 OR J-H3-60-101-1
 3 = NO PADLOCK, ACTUATOR
 4 = PADLOCK, ACTUATOR
- LOCKING OPTION: 00 = NO LOCK PROVIDED (DIN ONLY)
 01 = CH751
 02 = 300
 03 = 333
 04 = NON LOCKING
 05 = HL450
 20 = NON LOCKING DIN WITH DETENT
 21 = DIN CH751
 22 = DIN 300
 23 = DIN 333
 24 = DIN W/O LOCK PLUG
 40 = TOOL, 3mm DOUBLE BIT
 41 = TOOL, 5mm DOUBLE BIT
 42 = TOOL, TELCORDIA 216 (BELL CORE)
 43 = TOOL, ELECTRONICS KEY
 47 = TOOL, 8mm TRIANGLE
 70 = DIN TOOL, 3mm DOUBLE BIT
 71 = DIN TOOL, 5mm DOUBLE BIT
 72 = DIN TOOL, TELCORDIA 216
 73 = DIN TOOL, ELECTRONICS KEY
 77 = DIN TOOL, 8mm TRIANGLE
- ASSEMBLY FINISH: 44 - SATIN CHROME
 50 - BLACK POWDER COAT
 OTHERS AVAILABLE UPON REQUEST

GRIP TABLE CAM
 PART No. E5-61YY-77

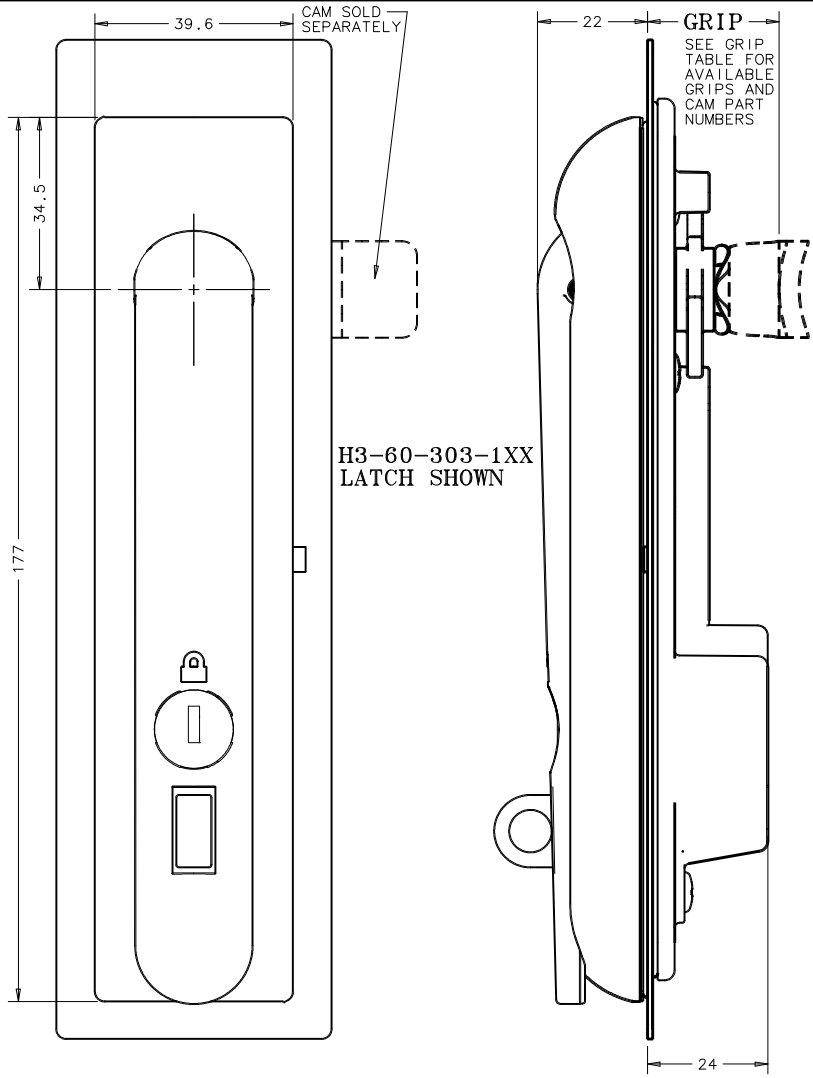
YY	GRIP	YY	GRIP
09	14.3	16	28.3
10	16.3	17	30.3
11	18.3	18	32.3
12	20.3	19	34.3
13	22.3	20	36.3
14	24.3	21	38.3
15	26.3	22	40.3

YY=07-10, SEE J-E5-61-B (FLAT CAM)
 YY=11-22, SEE J-E5-61-A (FLAT CAM)
 YY=09-22, SEE J-E5-71 (ROLLER CAM)



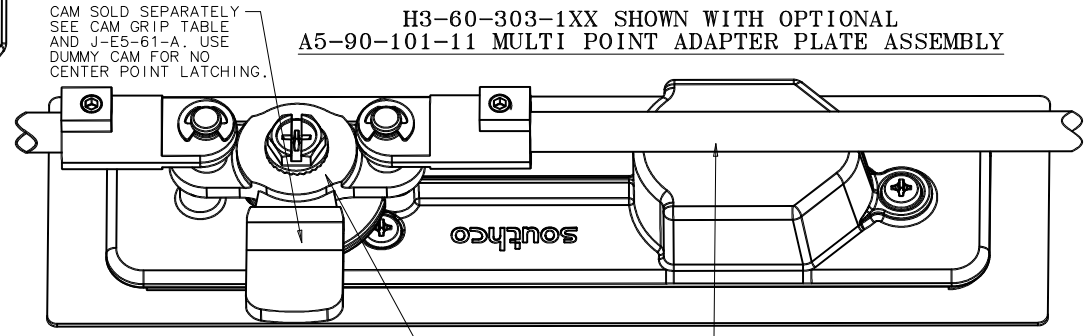
H3-60-303-1XX SHOWN AS A SINGLE POINT LATCH

SEE SHEET 2 FOR VIEWS OF DIN AND TOOL ACCESS VERSIONS



H3-60-303-1XX LATCH SHOWN

H3-60-303-1XX SHOWN WITH OPTIONAL A5-90-101-11 MULTI POINT ADAPTER PLATE ASSEMBLY



SEE J-A5-90-101-11

SEE J-A5-90 FOR ROD SYSTEM

southco

PROPRIETARY ITEM - EXCEPT FOR USES EXPRESSLY GRANTED IN WRITING INFORMATION DISCLOSED HEREON IS CONFIDENTIAL AND ALL RIGHTS RESERVED BY SOUTHCO, INC.

REV	DATE	DESCRIPTION
A	03NOV2008	IR/7DLH RELEASED FOR PRODUCTION
B	09 DEC 08	IR/ACH PRN: P2008-1345
C	04 FEB 09	IR/ACH PRN: P2009-0162
D	22AUG2011	MJS/MSR PRN: P2011-1073
E	22SEP2014	CMS/BGL PRN: P2014-1872
F	08OCT2018	CMS/CDW PRN: P2018-2534
G	15JUL2021	CMS/DMS PRN: P2021-1399

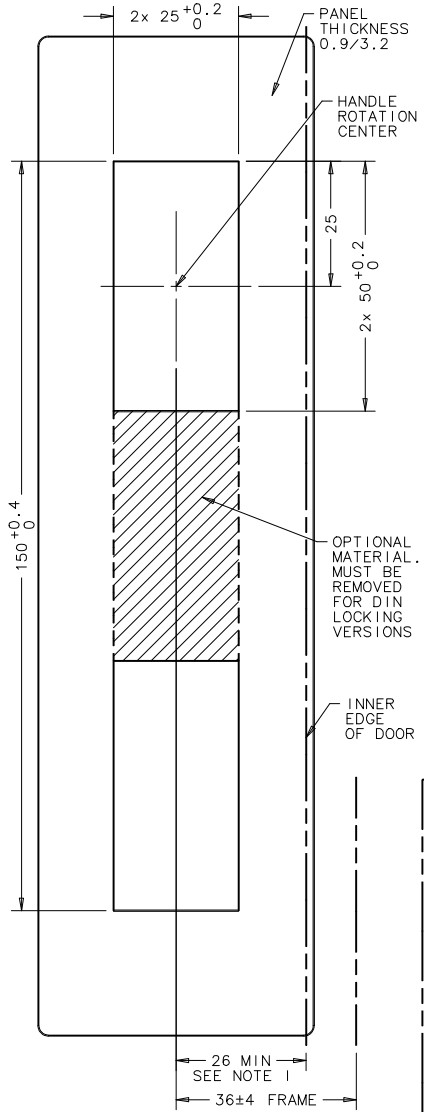
DESCRIPTION	MATERIAL	FINISH/COLOR	DESCRIPTION	MATERIAL	FINISH/COLOR
HANDLE	ZAMAC 3	BLACK POWDERCOAT	HANDLE COVER	STEEL	
HOUSING			DISC SPRING		
MOUNTING CUP			DUMMY CAM		
TOOL ACTUATOR			CAM SCREW		
SHAFT			M4x7 SCREWS		
ROTATION LIMITER			HANDLE PIN		
LOCKING PAWL			PAWL SPRING		
LOCK PLUG			WAVE WASHER		
DIN LOCK ASSY			PADLOCK HASP		
PANEL GASKETS			RETAINER		
DIN DUST COVER			SHAFT O-RING		
HANDLE BUMPER			SCREW O-RINGS		

DRAWING NUMBER	SCALE	DRAWN	CHKD	DATE	DESCRIPTION
J-H3-60-301-1	DNS			26 JUN 08	SWINGHANDLE LATCH, ACTUATOR, OUTDOOR, 25x150 SIZE

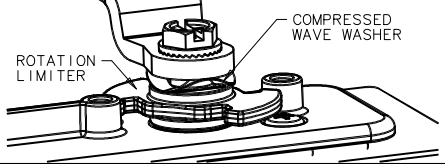
DRAWING NUMBER	SCALE	DRAWN	CHKD	DATE	DESCRIPTION
J-H3-60-301-1	DNS			26 JUN 08	SWINGHANDLE LATCH, ACTUATOR, OUTDOOR, 25x150 SIZE

REV	DATE	DESCRIPTION
A	03NOV2008	IR/7DLH RELEASED FOR PRODUCTION
B	09 DEC 08	IR/ACH PRN: P2008-1345
C	04 FEB 09	IR/ACH PRN: P2009-0162
D	22AUG2011	MJS/MSR PRN: P2011-1073
E	22SEP2014	CMS/BGL PRN: P2014-1872
F	08OCT2018	CMS/CDW PRN: P2018-2534
G	15JUL2021	CMS/DMS PRN: P2021-1399

PANEL PREPARATION



PROPER CAM & LIMITER INSTALLATION FOR ROTATING HANDLE CCW TO OPEN



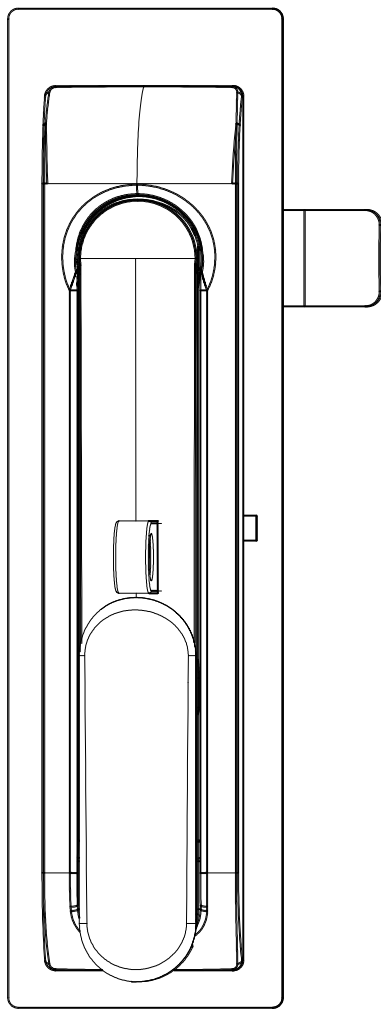
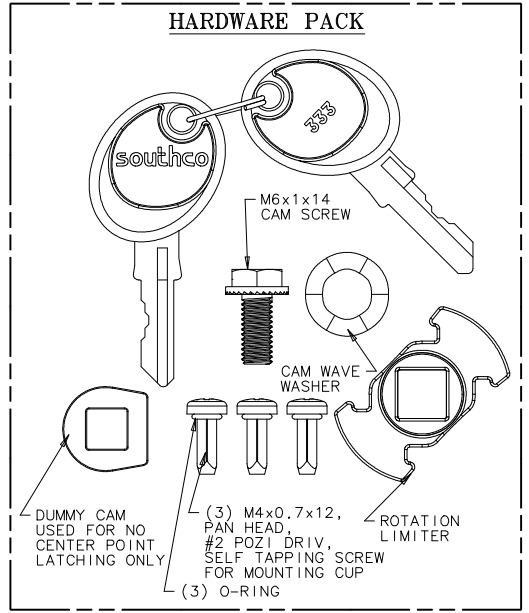
NOTES:

- ALL LATCH COMPONENTS ARE RoHS COMPLIANT.
- LATCH INSTALLATION:
 - PREPARE A BURR FREE PANEL OPENING AS SHOWN.
 - INSTALL LATCH SUB-ASSEMBLY FROM THE FRONT SIDE OF THE PANEL AND HOLD IN PLACE.
 - FROM THE BACK SIDE OF THE PANEL, SLIDE THE MOUNTING CUP ONTO THE HANDLE SHAFT.
 - SECURE THE CUP IN PLACE WITH THE THREE M4x0.7x12 SCREWS PROVIDED. MAX SCREW TORQUE 1.5 N-m.
 - PLACE THE ROTATION LIMITER ONTO THE HANDLE SHAFT. THE ROTATION LIMITER ALSO SETS THE ROTATION DIRECTION OF THE LATCH. TO FLIP ACTUATION DIRECTION, SIMPLY REMOVE THE ROTATIONACTUATION LIMITER FROM THE SHAFT, ROTATE IT 90°, AND PLACE BACK ONTO SHAFT.
 - PLACE SHAFT WAVE WASHER ONTO HANDLE SHAFT AGAINST THE TOP OF THE ROTATION LIMITER FOLLOWED BY THE CAM. THEN THE ACTUATOR PLATE ASSEMBLY IF USED. SECURE EVERYTHING TO THE SHAFT USING M6x1x14 SCREW. MAX SCREW TORQUE 2.0 N-m.
 - CYCLE THE LATCH FROM OPEN TO CLOSE TO MAKE SURE EVERYTHING MOVES FREELY.
 - FOR TWO POINT LATCHING (NO CENTER LATCHING), A 'DUMMY CAM' MUST BE USED TO MAINTAIN PROPER ASSEMBLY SPACING.
 - IF USED WITH SOUTHCO A5-90-101-11 ADAPTER PLATE ASSEMBLY.
- COSMETIC SPECIFICATION:

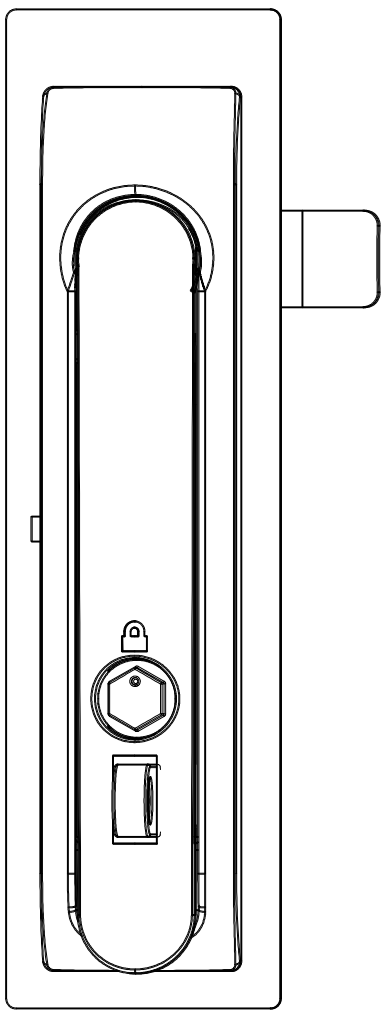
ALL POWDERCOATED AND CHROME PLATED SURFACES, UNLESS OTHERWISE NOTED, ARE TO CONFORM TO A CLASS 'B' DESIGNATION. ALL OTHER SURFACES, UNLESS OTHERWISE NOTED, ARE TO CONFORM TO A CLASS 'C' DESIGNATION AS DESCRIBED IN SOUTHCO COSMETIC SPECIFICATIONS:

 - S-121-01 FOR CHROME PLATING
 - S-121-02 FOR ZINC PLATING
 - S-121-03 FOR POWDER COATING
 - S-121-05 FOR STAINLESS STEEL PARTS

HARDWARE PACK



**H3-50-423-1XX
333 DIN
WITH PADLOCK HASP**



**H3-50-442-1XX
BELLCORE/
TELCORDIA 216
WITH PADLOCK HASP**

PROPER CAM, A5 ACTUATOR PLATE, & LIMITER INSTALLATION FOR ROTATING HANDLE CCW TO OPEN

