

southco

PROPRIETARY ITEM - EXCEPT FOR USES EXPRESSLY GRANTED IN WRITING INFORMATION DISCLOSED HEREON IS CONFIDENTIAL AND ALL RIGHTS PATENT AND OTHERWISE ARE RESERVED BY SOUTHCO, INC.

E5 CAMS STAINLESS STEEL
BENT DOWN POSITION

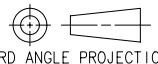
DATE	DRAWN	CHKD	SCALE
21 JUN 2007	MJS		1:1

DRAWING NUMBER
J-E5-80-A

REV	DATE	DRAWN/CHKD	DESCRIPTION	PART NUMBER	MATERIAL	FINISH
				E5-80YY	STAINLESS STEEL	PASSIVATED
				E5-90YY	STAINLESS STEEL	ELECTROPOLISHED

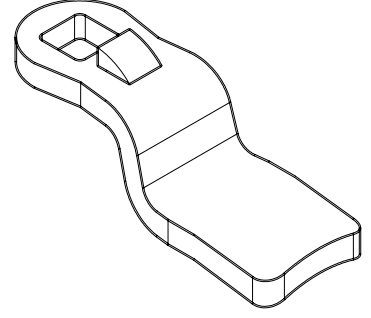
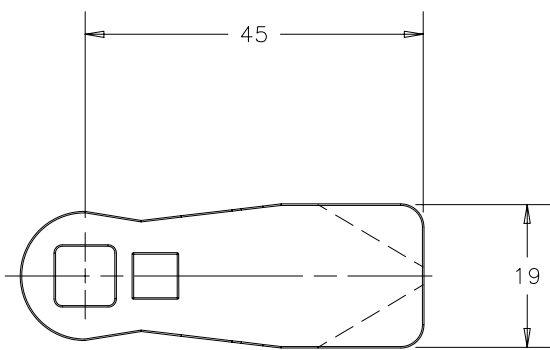
MILLIMETERS

ALL DIMENSIONS WITHOUT TOLERANCES ARE FOR REFERENCE ONLY.

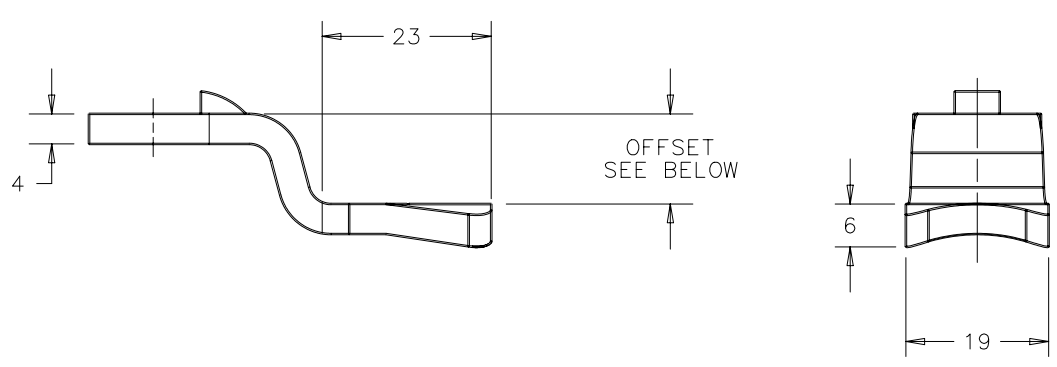


THIRD ANGLE PROJECTION

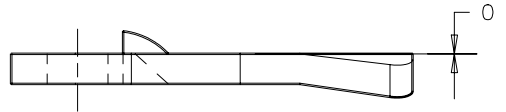
A3
PAPER
SIZE



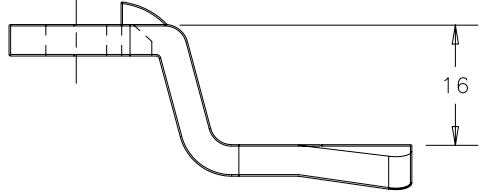
PART NUMBER E5-XX15 SHOWN



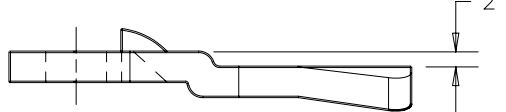
PART NUMBER: E5-XX10
YY=10



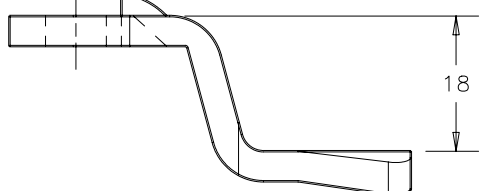
PART NUMBER: E5-XX18
YY=18



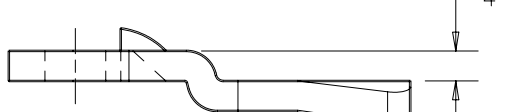
PART NUMBER: E5-XX11
YY=11



PART NUMBER: E5-XX19
YY=19



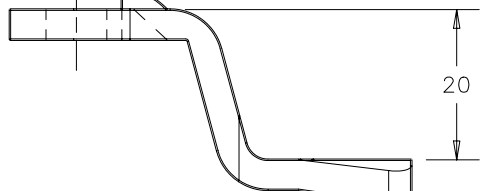
PART NUMBER: E5-XX12
YY=12



PART NUMBER: E5-XX13
YY=13



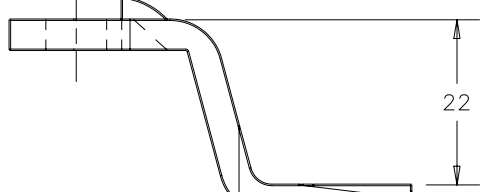
PART NUMBER: E5-XX20
YY=20



PART NUMBER: E5-XX14
YY=14



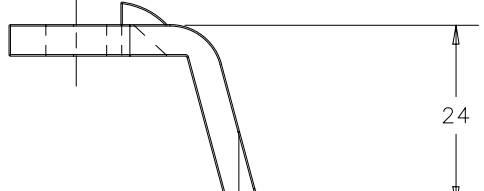
PART NUMBER: E5-XX21
YY=21



PART NUMBER: E5-XX15
YY=15



PART NUMBER: E5-XX22
YY=22



PART NUMBER: E5-XX16
YY=16



PART NUMBER: E5-XX17
YY=17

