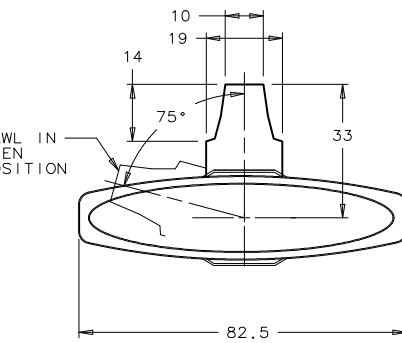


REV.	DATE	BY-CHKD	REVISIONS
A	14FEB2001	JRS	JSS PRN: E3-847A
B	28JAN2014	OMS	WMD PRN: P2015-0219

WISE-ACTION™ LATCH			
THREE-HOLE MOUNT T-HANDLE NON-LOCKING			
ASSEMBLY PART NO.	GRIP RANGE	PAWL OFFSET	
E3-31-1X	7.9 - 23.6 or 62.7 - 76.2 or	27.4	
E3-31-2X	21.8 - 37.3 or 49 - 64.8	13.7	
E3-31-3X	35.3 - 50.8	NONE	

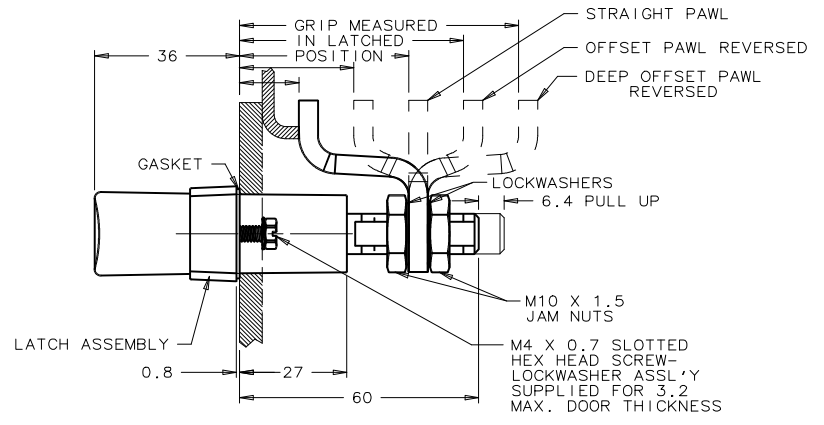
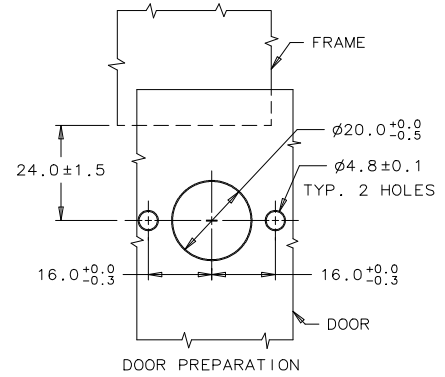
DATE	DRAWN	CHKD	SCALE	DRAWING NUMBER
09JUN97	BRK	MPF	0.75 : 1	J-E3-31
COMPONENT		MATERIAL	FINISH	
HOUSING	DIE CAST ZINC	SEE TABLE	SEE TABLE	
HANDLE	DIE CAST ZINC	SEE TABLE	SEE TABLE	
GASKET	RUBBER IMPREGATED YELLOW	NATURAL		
RETAINER	302 STAINLESS STEEL	NATURAL		
SPRING	302 STAINLESS STEEL	NATURAL		
O-RING	BUNA-N	NATURAL		
SLEEVE	1075 STEEL	DACROTIZED†		
CAM	1075 STEEL	DACROTIZED†		
SHAFT	LOW CARBON STEEL	ZINC PLATE CHROMATE PLUS SEALER		
PIN	1008 STEEL	CHROMATE D.P., YELLOW		
PAWL	1010 STEEL	ZINC PLATE CHROMATE PLUS SEALER		
JAM NUTS (2)	LOW CARBON STEEL	CHROMATE PLUS SEALER		
LOCKWASHERS (2)	SPRING STEEL	ZINC PLATE CHROMATE PLUS SEALER		
SCREW/LOCKWASHER ASSLY	LOW CARBON STEEL	CHROMATE PLUS SEALER		



LATCH DIMENSIONS FOR REFERENCE ONLY

X - FINISH TABLE

- 1 - BRIGHT CHROME PLATE
- 4 - CARDINAL WHITE POWDER COAT
- 5 - BLACK POWDER COAT
- 6 - LIGHT GREY POWDER COAT
- 7 - SATIN SILVER POLYESTER POWDER COAT
- 8 - SILVER METALLIC URETHANE POWDER COAT



- NOTES:
1. OPERATION: 195° TURN OF HANDLE CAUSES PAWL TO ROTATE 75° THEN PULL UP 6.4.
 2. PAWL, NUTS, LOCKWASHERS AND SCREW ASSLY'S SHIPPED UNASSEMBLED IN BAG WITH GASKET AND LATCH ASSEMBLY.
 3. INSTALLATION:
 - a. INSTALL GASKET OVER LATCH AND INSTALL LATCH IN DOOR. ATTACH USING M4 SCREW ASSEMBLIES (7mm HEX) 1.7 Nm MAX. TIGHTENING TORQUE.
 - b. INSTALL JAM NUT, LOCKWASHER, PAWL, LOCKWASHER, AND JAM NUT ON SHAFT. ADJUST JAM NUTS TO POSITION PAWL AT CORRECT GRIP (WITH LATCH CLOSED). TIGHTEN JAM NUTS (20 Nm MAX. TORQUE) USING TWO 17mm WRENCHES.
- CAUTION: ADJUST PAWL SO THAT NO MORE THAN 7.9 Nm TORQUE ON HANDLE IS REQUIRED TO CLOSE LATCH.