



SOUTHCO ADJUSTABLE PAWL FASTENER
Nº 44 7112 A ASSEMBLY (HEX SOCKET HD.)

DATE	DRAWN	CHKD	SCALE	DRAWING NUMBER
2-21-55	M.R.T.	ASK	N.T.S.	J-44-10

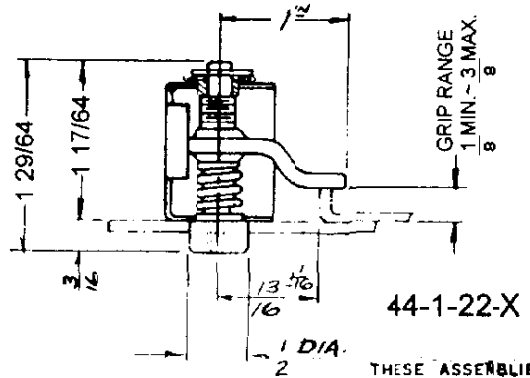
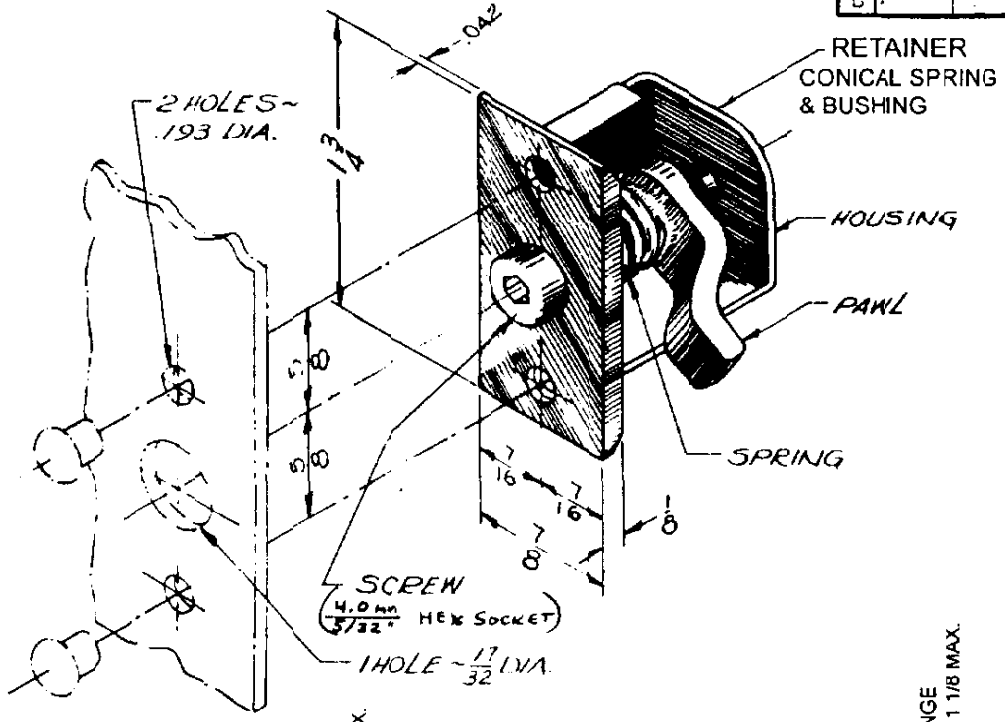
REV. LET	DATE	BY-CHKD
P		
Q	8-27-91	C.R.W.
R	11 DEC 92	X.S.
S	11 MAR 93	M.F.C.
T	28 JAN 94	G.S.C.
U	02 APR 96	R.J.B.
V	25 NOV 96	S.W.D.

LET.	REVISIONS
P	111: 1118: DEC RECORDS
Q	PRN: 44-89A
R	PRN: 14-75
S	PRN: 99-1-G
T	PRN: 99-1-H-4
U	PRN: 44-119
V	PRN: S-1-06A

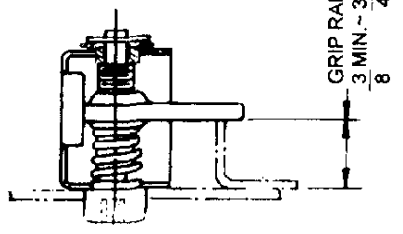
GRIP RANGE	ASSEMBLY PART NUMBER	SCREW	PAWL	PAWL	HOUSING	SPRING	RETAINER CONICAL SPRING & BUSHING	SCREW	BUSHING
1/8 TO 3/8	44-1-22-0	X	X		X	X	X	X	X
	44-1-22-1		X		X	X	X	X	X
3/8 TO 3/4	44-1-23-0	X	X		X	X	X	X	X
	44-1-23-1		X		X	X	X	X	X
3/4 TO 1 1/8	44-1-24-0	X	X		X	X	X	X	X
	44-1-24-1		X		X	X	X	X	X

NOTE "A" ~ DELETED.
 NOTE "B" ~ ZINC PLATE, CHROMATE PLUS SEALER.

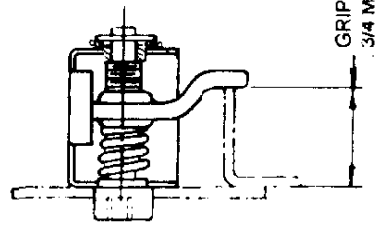
IS	DATE	APD
A		
B		
C		
D		



44-1-22-X



44-1-23-X



44-1-24-X

THESE ASSEMBLIES ARE NON-REPAIRABLE ITEMS AND COMPONENTS ARE NOT AVAILABLE AS REPLACEMENT OR REPAIR PARTS.

DRAWING NUMBER
J-44-10

322 313 H.11 top