



N^o 44 ADJUSTABLE PAWL FASTENER
KURLED HEAD - TYPE A
ALL STAINLESS STEEL

DATE 6-13-77

DRAWN TPK

CHKD

SCALE 1:1

DRAWING NUMBER J-44-27

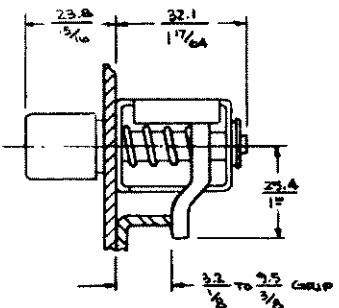
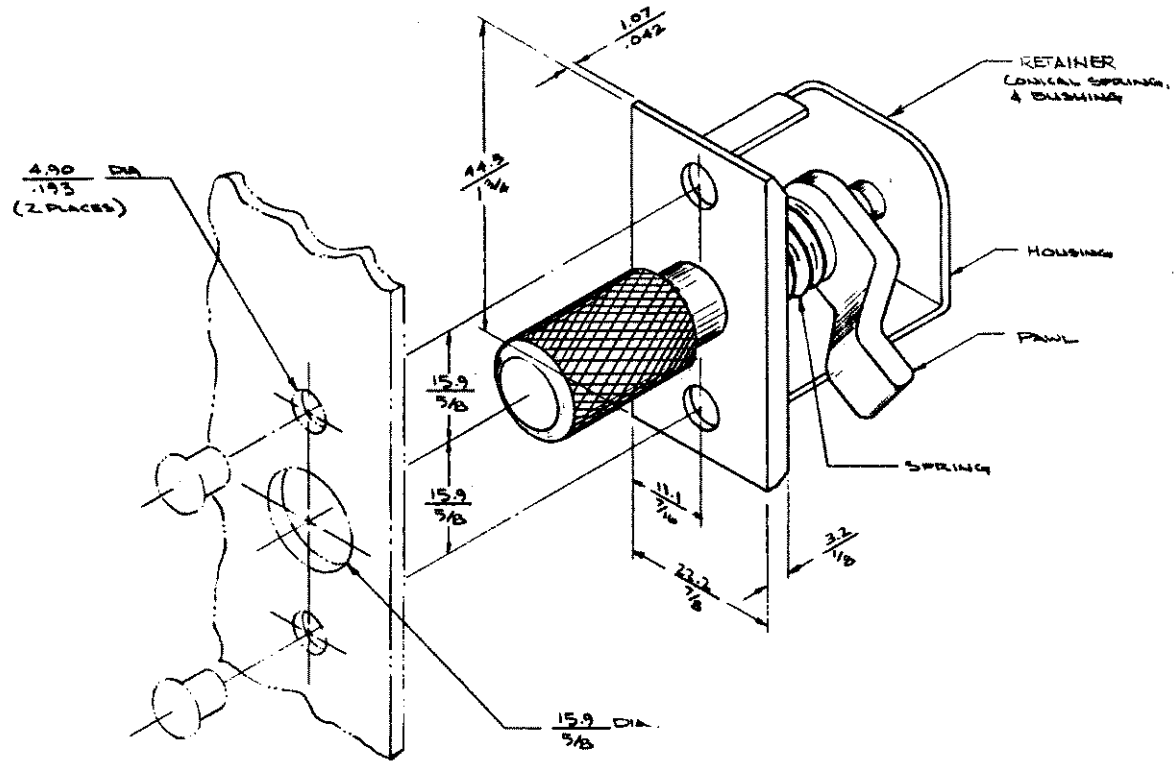
R.S.	DATE	APP
A		
B		
C		
D		

LET.	DATE	BY	REVISIONS
A	9-2-77	EM	DIMOND KURLED WAS STRAIGHT PARALLEL KURLED
B	2-22-82	HAR	PRN 5-1-01
C	5-2-85	CLB	PRN 44-78
D	11 DEC 92	386	PRN 14-75
E	5 MAR 93	JRR	PRN 5-1-03

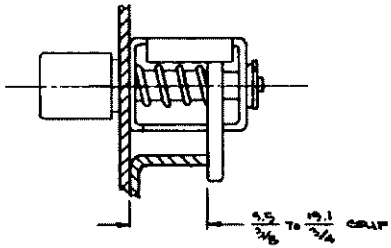
LET	DATE	BY	REVISION

ASSEMBLY N ^o	GRIP RANGE
44-1-1-24	$\frac{3.2}{\frac{1}{8}}$ TO $\frac{9.5}{\frac{3}{8}}$ BENT PAWL FORWARD
44-1-2-24	$\frac{9.5}{\frac{3}{8}}$ TO $\frac{19.1}{\frac{3}{4}}$ STRAIGHT PAWL
44-1-3-24	$\frac{19.1}{\frac{3}{4}}$ TO $\frac{28.6}{1\frac{1}{8}}$ BENT PAWL REVERSED

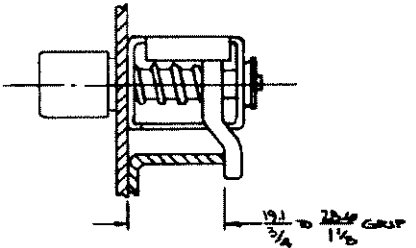
COMPONENT	MATERIAL	FINISH
SCREW	STAINLESS STL	PASSIVATE
PAWL		
HOUSING		
CONICAL SPRING		
BLUSHING		
RETAINER		
SPRING	STAINLESS STL	PASSIVATE



44-1-1-24



44-1-2-24



44-1-3-24

PROPRIETARY ITEM- EXCEPT FOR USES EXPRESSLY GRANTED IN WRITING, INFORMATION DISCLOSED HEREON IS CONFIDENTIAL AND ALL RIGHTS, PATENT AND OTHERWISE, ARE RESERVED BY SOUTHCO, INC.

MINIMUMS
INCH

DRAWING NUMBER J-44-27