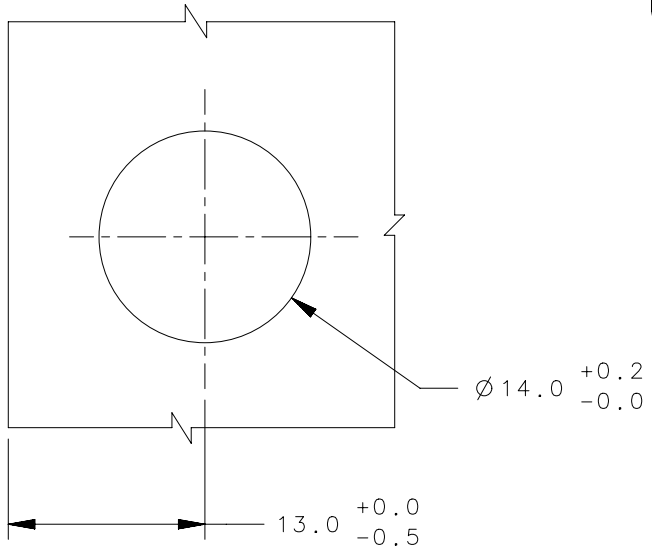
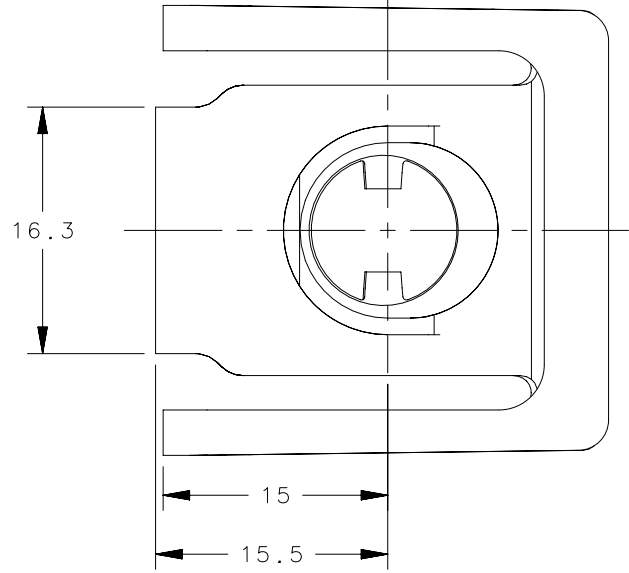
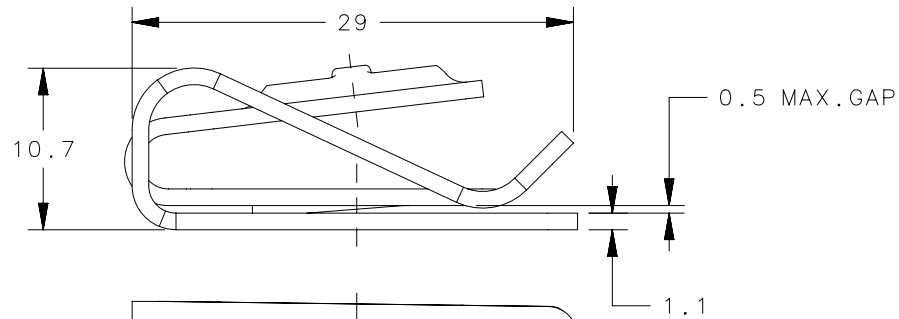
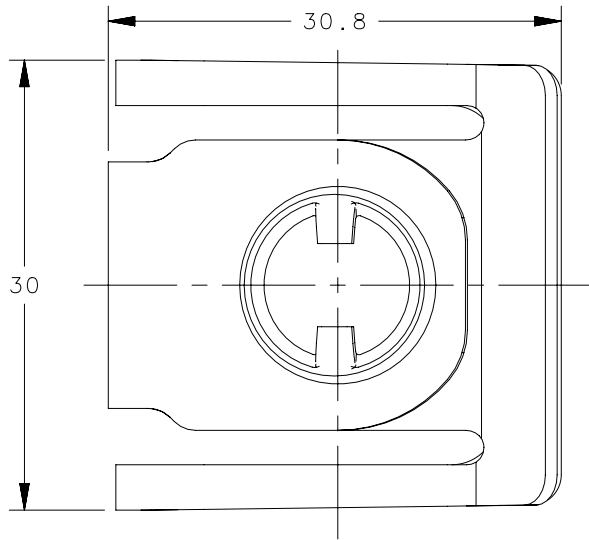
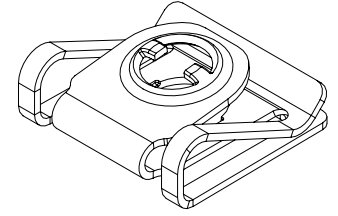


REVISION HISTORY			
REV	DATE	BY	DESCRIPTION
B	08APR2014	MWC/YGC	PRN: P2014-0745



0.7 TO 3.2
PANEL THICKNESS



SCALE 1:1

PANEL PREPRATION

D8-339-300-121	RECEPTACLE	CARBON STEEL	SILVER GEOMET
D8-339-300-130	RECEPTACLE	CARBON STEEL	SILVER ORGANIC - SILVER
D8-339-300-199	RECEPTACLE	CARBON STEEL	ZINC NICKEL
PART NUMBER	TYPE OF COMPONENT	MATERIAL	FINISH

THIRD ANGLE PROJECTION		 CONNECT • CREATE • INNOVATE	
MILLIMETERS [IN]			
TOLERANCES UNLESS OTHERWISE NOTED		DESCRIPTION RECEPTACLE - SLIP ON	
ALL DIMENSIONS WITHOUT TOLERANCES ARE FOR REFERENCE ONLY.		SIZE A4	SYSTEM NX
PER ASME Y14.5M-1994		DWG NO. J-D8-339-300	DATE 30NOV2009
<small>EXCEPT FOR USES EXPRESSLY GRANTED IN WRITING, INFORMATION DISCLOSED HEREON IS CONFIDENTIAL AND ALL RIGHTS, PATENT AND OTHERWISE, ARE RESERVED BY SOUTHCO, INC.</small>		SCALE 2:1	SHEET 1 OF 1