

- NOTES:
 A. TIGHTENING TORQUE OF MOUNTING NUTS
 NOT TO EXCEED 25 in-lbs.
 B. MOUNTING HEX NUT AND LOCKWASHER 4 EACH INCLUDED
 UNASSEMBLED

southco

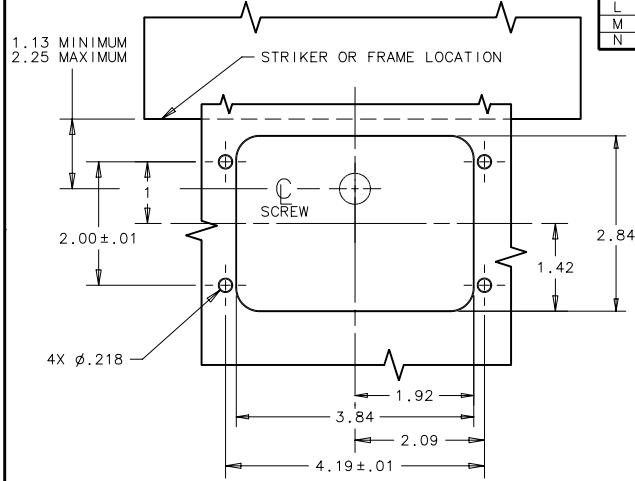
PROPRIETARY ITEM - EXCEPT FOR USES EXPRESSLY
 GRANTED IN WRITING INFORMATION DISCLOSED
 HEREON IS CONFIDENTIAL AND ALL RIGHTS PATENT
 AND OTHERWISE ARE RESERVED BY SOUTHCO, INC.

No. 24 FASTENER HEAVY DUTY TYPE A
 ADAPTABLE FOR 3 POINT LATCH (STUD MOUNT)

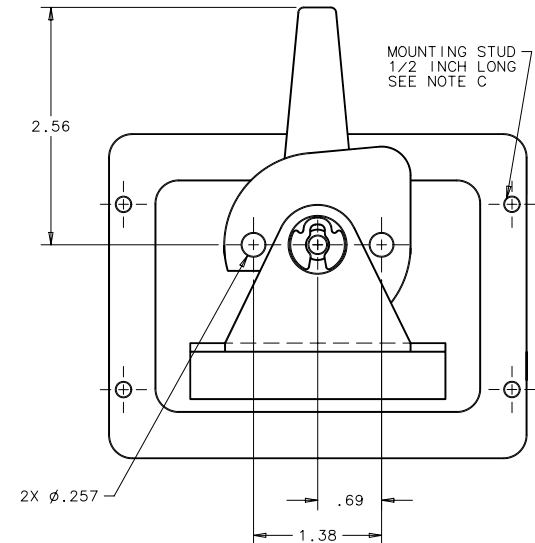
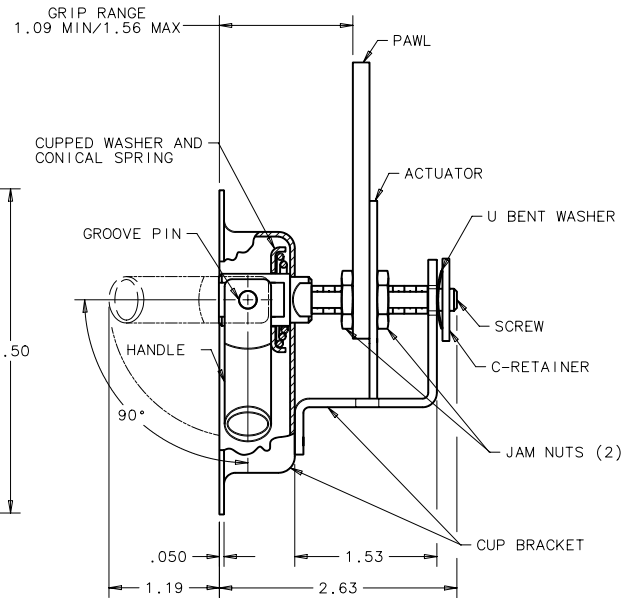
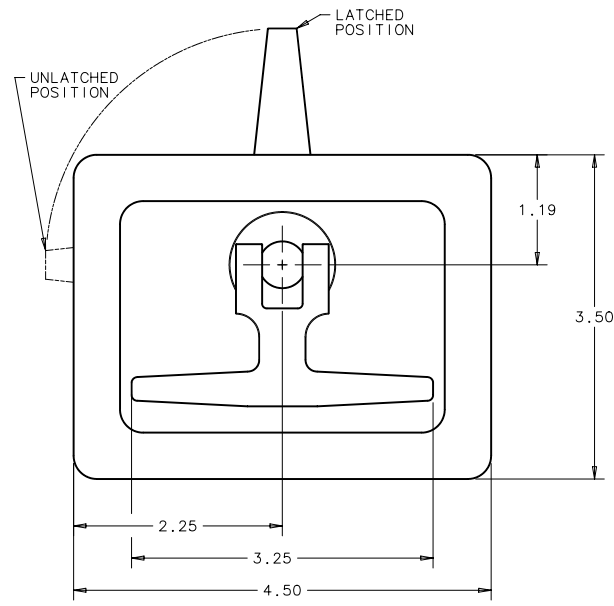
| DATE | DRAWN | CHKD | SCALE | DRAWING NUMBER |
|--------|-------|------|-------|----------------|
| 6-5-79 | HAR | | .75:1 | J-24-20-302-10 |

| REV | DATE | DRAWN/CHKD | DESCRIPTION | ITEM | PART NUMBER | MATERIAL | FINISH |
|-----|-----------|------------|-----------------|----------------|--------------|-----------------|-------------------------------------|
| G | 3-23-88 | JSS | PRN: 64-105 | ASSEMBLY | 24-20-302-10 | - | - |
| H | 4-13-88 | JSS | PRN: 24-108 | GROOVE PIN | - | STEEL | ZINC PLATE PLUS BRIGHT CHROMATE |
| I | 3-22-93 | JGK | PRN: 24-137 | SCREW | - | STEEL | ZINC FLAKE COATING |
| J | 5MAR93 | JTB | PRN: 24-136 | CONICAL SPRING | - | STAINLESS STEEL | PASSIVATE |
| K | 6-8-93 | JGK | PRN: S-1-03 | PAWL | - | STEEL | ZINC FLAKE COATING |
| L | 21MAY97 | SWD | PRN: 24-176 | JAM NUT(2) | - | STEEL | ZINC PLATE CHROMATE PLUS SEALER |
| M | 14MAY2004 | RLR/AJH | PRN: P2004-0492 | ACTUATOR | - | STEEL | ZINC FLAKE COATING |
| N | 12APR2005 | BRP/AJH | PRN: P2005-0592 | U BENT WASHER | - | STEEL | ZINC PLATE PLUS YELLOW CHROMATE DIP |
| | | | | C RETAINER | - | STEEL | ZINC PLATE PLUS YELLOW CHROMATE DIP |
| | | | | HANDLE | - | DIE CAST ZINC | ZINC FLAKE COATING |
| | | | | CUP WASHER | - | STEEL | ZINC FLAKE COATING |
| | | | | CUP BRACKET | - | STEEL | ZINC FLAKE COATING |
| | | | | HEX NUT(4) | - | STEEL | ZINC FLAKE COATING |
| | | | | LOCKWASHER(4) | - | STEEL | ZINC PLATE PLUS YELLOW CHROMATE DIP |

ALL DIMENSIONS WITHOUT
 TOLERANCES ARE FOR
 REFERENCE ONLY.



PANEL PREPARATION



THESE ASSEMBLIES ARE NON-REPAIRABLE
 ITEMS AND COMPONENTS ARE NOT AVAILABLE
 AS REPLACEMENT OR REPAIR PARTS.