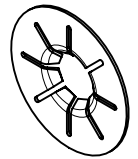
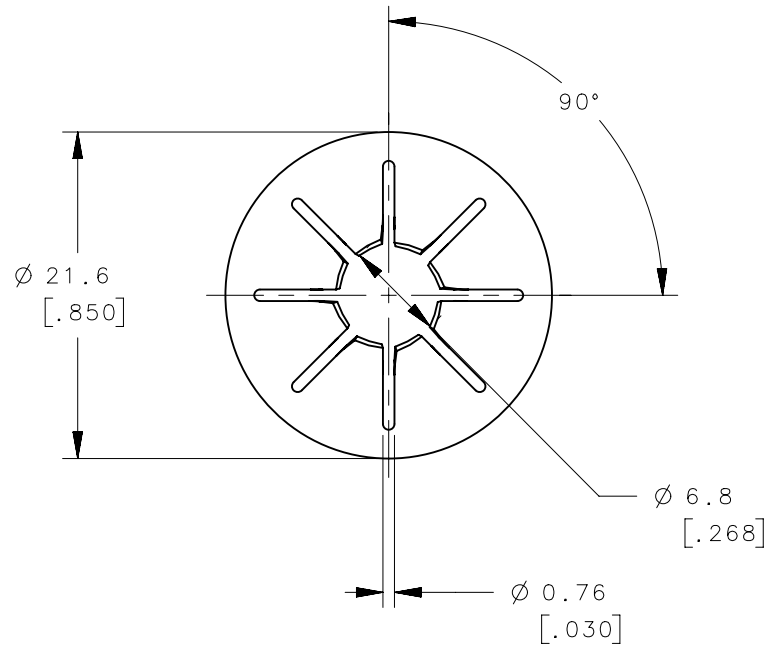
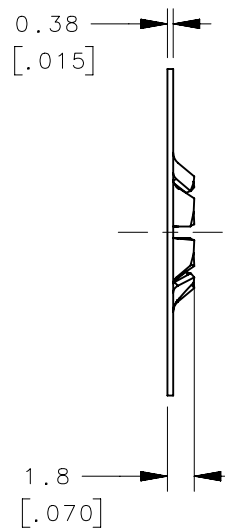


REVISION HISTORY			
REV	DATE	BY	DESCRIPTION
D	24NOV2018	YBS/VK	PRN: P2018-2700



SCALE 1:1



17-6-1	RETAINER	302 STAINLESS STEEL	PASSIVATED
PART NUMBER	TYPE OF COMPONENT	MATERIAL	FINISH
	THIRD ANGLE PROJECTION	 CONNECT • CREATE • INNOVATE	
	MILLIMETERS [IN]		
SURFACE AREA	TOLERANCES UNLESS OTHERWISE NOTED	DESCRIPTION	
VOLUME	ALL DIMENSIONS WITHOUT TOLERANCES ARE FOR REFERENCE ONLY.	STAINLESS STEEL PUSH-ON RETAINER FOR NO. 17 CAPTIVE SCREW	
PROPRIETARY ITEM	PER ASME Y14.5M-1994	SIZE A4	SYSTEM NX
EXCEPT FOR USES EXPRESSLY GRANTED IN WRITING, INFORMATION DISCLOSED HEREON IS CONFIDENTIAL AND ALL RIGHTS, PATENT AND OTHERWISE, ARE RESERVED BY SOUTHCO, INC.		DWG NO. J-17-6-1-A	DATE 16AUG1995
		DRAWN BY GG	SCALE 2:1 SHEET 1 OF 1

PROPRIETARY ITEM - EXCEPT FOR USES EXPRESSLY GRANTED IN WRITING, INFORMATION DISCLOSED HEREON IS CONFIDENTIAL AND ALL RIGHTS, PATENT AND OTHERWISE, ARE RESERVED BY SOUTHCO, INC