



PROPRIETARY ITEM - EXCEPT FOR USES EXPRESSLY GRANTED IN WRITING INFORMATION DISCLOSED HEREON IS CONFIDENTIAL AND ALL RIGHTS PATENT AND OTHERWISE ARE RESERVED BY SOUTHCO, INC.

CR SERIES PAWL

DATE	DRAWN	CHKD	SCALE	DRAWING NUMBER
22JUN2018	CMS	MGG	1:1	J-CR-846-10

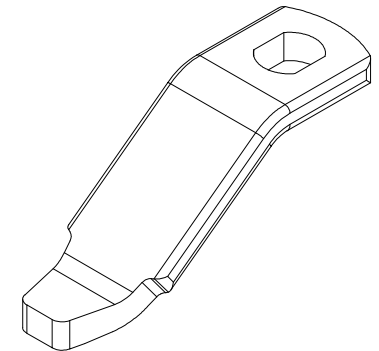
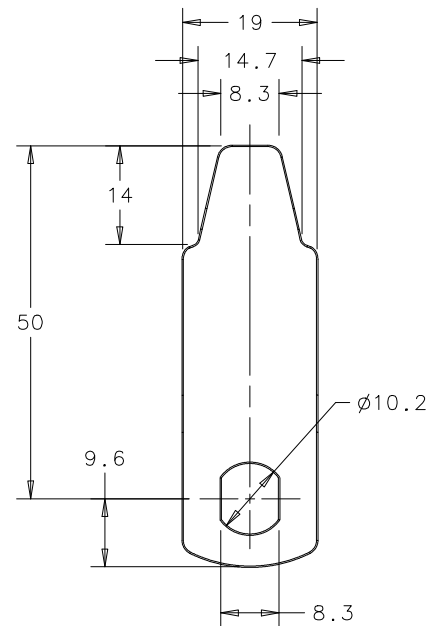
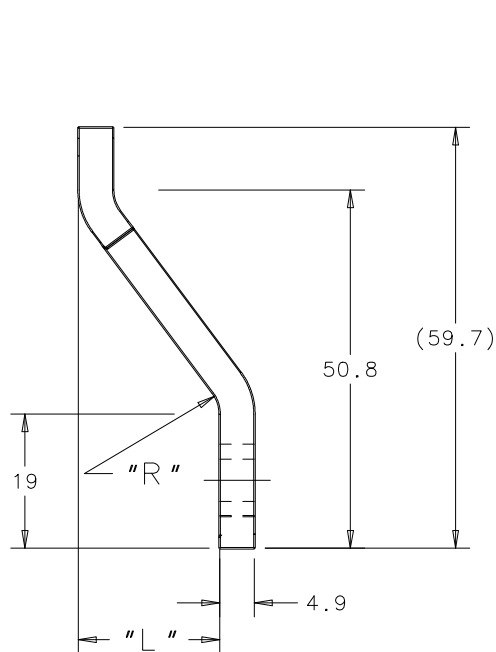
REV	DATE	DRAWN/CHKD	DESCRIPTION	PART NUMBER	GRIP "L"	MATERIAL	FINISH
A	22JUN2018	CMS/MGG	PRN: P2018-1511	CR-846-1000-XX	0	SEE TABLE	SEE TABLE
				CR-846-1005-XX	5	SEE TABLE	SEE TABLE
				CR-846-1010-XX	10	SEE TABLE	SEE TABLE
				CR-846-1015-XX	15	SEE TABLE	SEE TABLE
				CR-846-1020-XX	20	SEE TABLE	SEE TABLE
				CR-846-1025-XX	25	SEE TABLE	SEE TABLE
				CR-846-1030-XX	30	SEE TABLE	SEE TABLE
				CR-846-1035-XX	35	SEE TABLE	SEE TABLE
				CR-846-1040-XX	40	SEE TABLE	SEE TABLE
				CR-846-1045-XX	45	SEE TABLE	SEE TABLE
				CR-846-1050-XX	50	SEE TABLE	SEE TABLE

MILLIMETERS
 TOLERANCES UNLESS OTHERWISE NOTED
 UP TO 0.5 ±0.05
 OVER 0.5 UP TO 6 ±0.1
 OVER 6 UP TO 30 ±0.2
 OVER 30 ±0.3
 ANGLES ±1°

THIRD ANGLE PROJECTION

A4 PAPER SIZE

PART NUMBER	MATERIAL	FINISH
CR-846-10XX-12	STEEL	ZINC PLATE WITH CHROMATE
CR-846-10XX-24	STAINLESS STEEL	PASSIVATED



P/N CR-846-1015-XX SHOWN