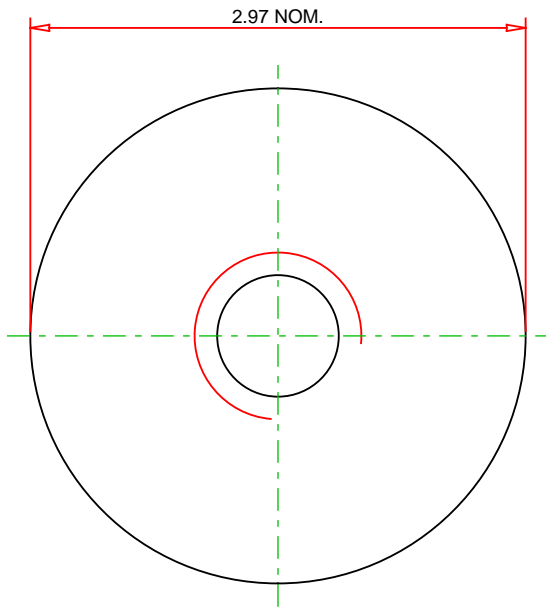
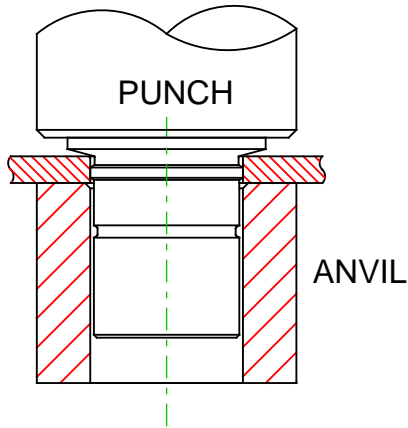
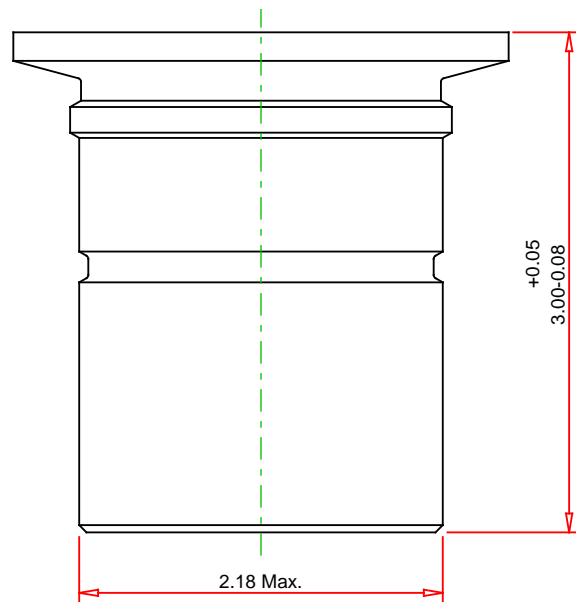
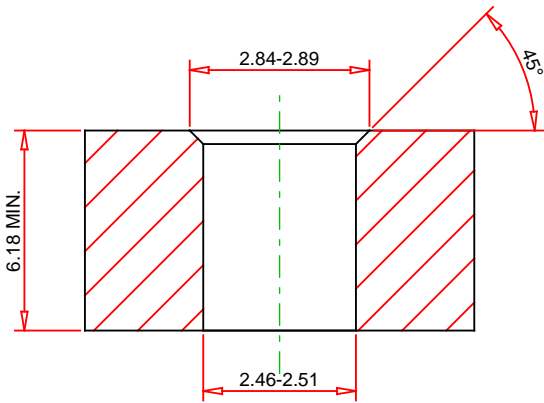


RECOMMENDED  
INSTALLATION  
TOOLING



RECOMMENDED INSTALLATION ANVIL



© 2024 PennEngineering

ALL DIMENSIONS IN MILLIMETERS

DATE 25-JUN-2024

NOTE : DRAWING NOT TO SCALE

THREAD : M1 x 0.25

MOUNTING HOLE DIA. : 2.24 +0.05

MATERIAL: HARDENED 400 SERIES STAINLESS STEEL

PANEL THICKNESS: 0.2 MINIMUM

HEAT TREAT: YES

MAX. PANEL HARDNESS: HRC 37 / HB 340

FINISH: Passivated and/or tested per ASTM A380

MIN CENTERLINE-TO-EDGE: 2.64

DESCRIPTION :  
PEM® TYPE TMSO4™ SELF-CLINCHING MICRO STANDOFFS  
METRIC



PennEngineering®

PART NO. :

EMAIL: TECHSUPPORT@PEMNET.COM

TMSO4-M1-300

WWW.PEMNET.COM