



R4 Rotary Latch

Light-Duty · Concealed · Single and two stage

- Ideal for space limited applications
- Compatible with wide array of actuators
- Integrated bumper for anti-vibration feature

Material and Finish

Steel, zinc or zinc nickel plated or 304 stainless steel, passivated

Accessories

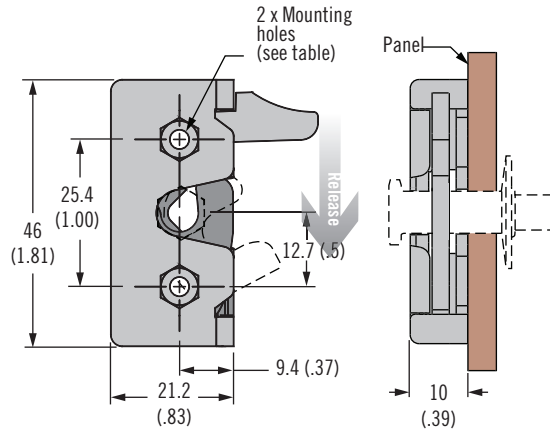
Cables and retainer clips see pages 322-323

Notes

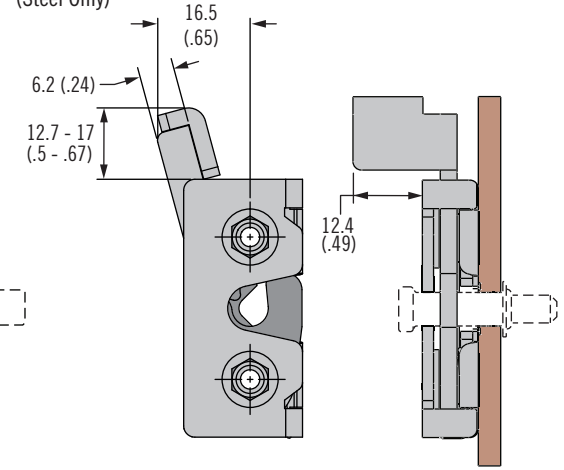
Electromechanical rotary latch available see page 20

For electrical actuation option see page 42

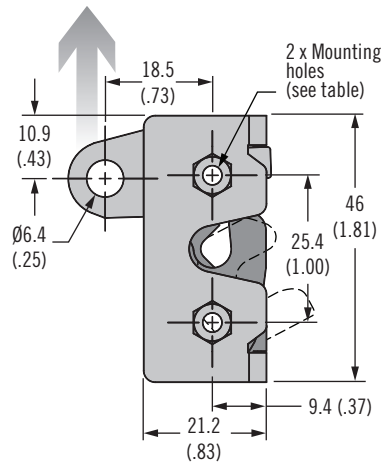
Hand Actuation



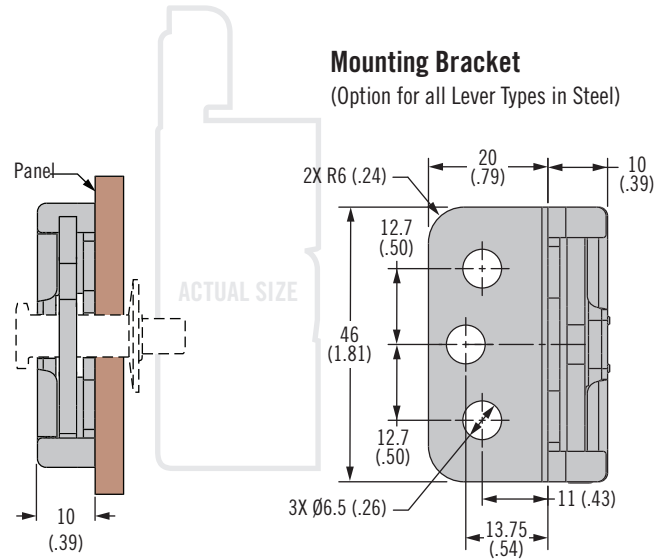
Direct Actuation (Steel Only)



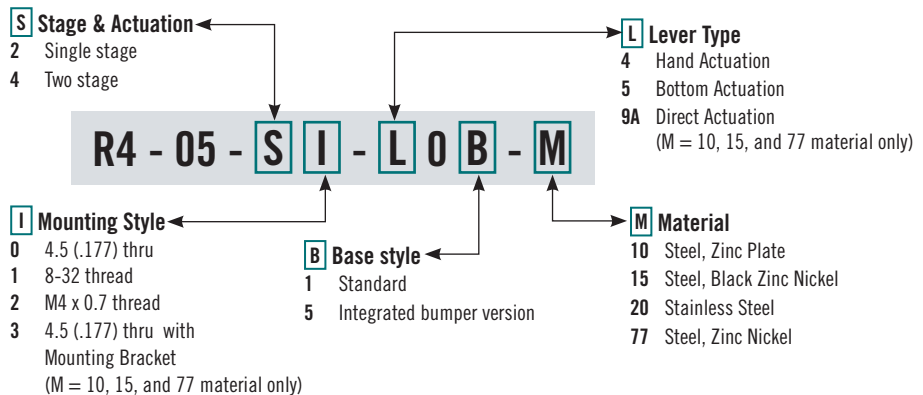
Bottom Actuation



Mounting Bracket (Option for all Lever Types in Steel)

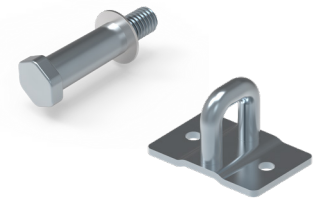


Part Number Selection



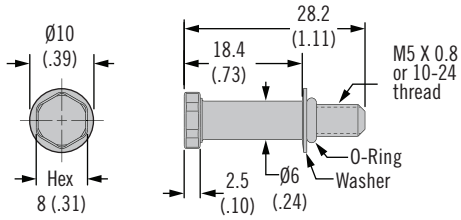
R4 Rotary Latch

Striker bolt · Light-duty · Installation



Striker Bolt

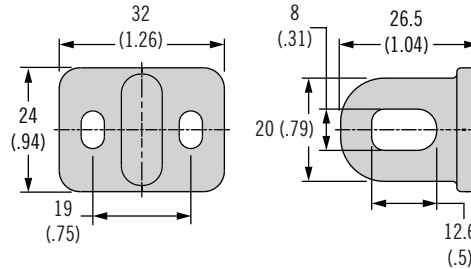
(sold separately)



Striker Bolt Part Number		
Part Number	Thread	Material
R4-90-0511-10	10-24-UNC	Steel
R4-90-0511-20	10-24-UNC	Stainless Steel
R4-90-0521-10	M5 X 0.8	Steel
R4-90-0521-20	M5 X 0.8	Stainless Steel

Molded Striker

(sold separately)



Part Number	
Molded striker	R4-0-61336

• Strikers for R4-05 series rotary latch

Material and Finish

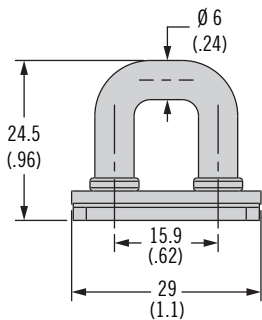
Steel, zinc nickel, zinc plated, black zinc nickel, Stainless Steel

Part Number

See tables

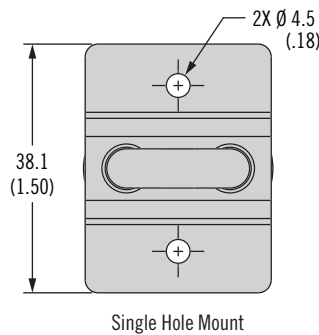
Wire Form Strikers

(sold separately)



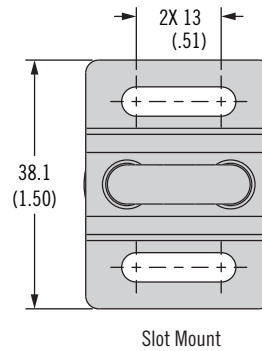
Single Hole Mount

R4-90-0501-XX



Slot Mount

R4-90-0502-XX



Wire Form Strikers		
Part Number	Mount	Material
R4-90-0501-10	Single Hole	Steel, Zinc Plated
R4-90-0501-15	Single Hole	Steel, Black Zinc Nickel
R4-90-0501-77	Single Hole	Steel, Zinc Nickel
R4-90-0502-10	Slot	Steel, Zinc Plated
R4-90-0502-15	Slot	Steel, Black Zinc Nickel
R4-90-0502-77	Slot	Steel, Zinc Nickel



R4 Rotary Latch

Light-Duty · Concealed · Single and two stage

- Compatible with wide array of actuators
- EN 45545-3 E60 Compliant (Standard version only)
- Integrated bumper version for anti-vibration feature

Material and Finish

Steel, zinc plated or 304 stainless steel, passivated

Accessories

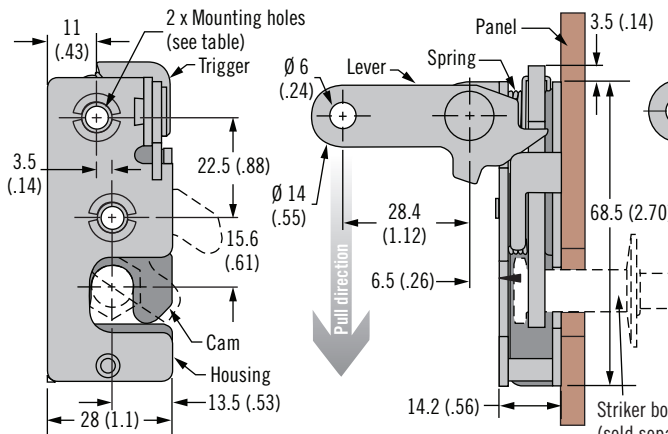
Striker bolts for standard version and integrated bumper version are different. See page 297 for both versions.

Cables and retainer clips see pages 322-323

Notes

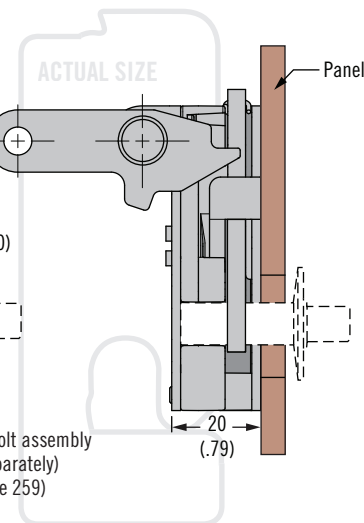
Electromechanical rotary latch available see page 20

Single Stage - Perpendicular (left hand actuation shown)

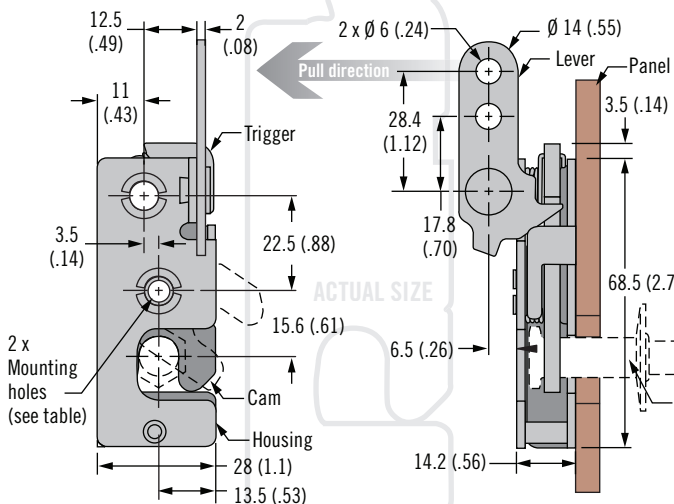


Integrated Bumper Version (dimensions same as standard version except as shown)

(dimensions same as standard version except as shown)

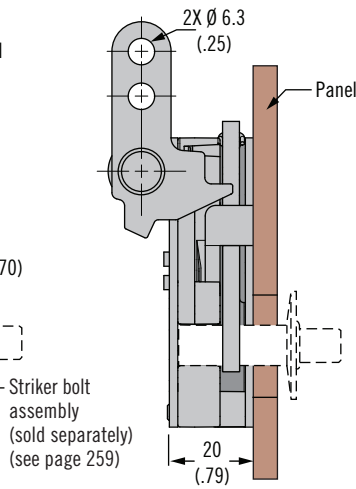


Single Stage - In-Line (left hand actuation shown)



Integrated Bumper Version (dimensions same as standard version except as shown)

(dimensions same as standard version except as shown)



Part Number Selection

S Stage & Actuation

- 1 Single stage, right hand
- 2 Single stage, left hand
- 3 Two stage, right hand
- 4 Two stage, left hand

L Lever Type

- 1 Perpendicular
- 2 In-Line

R4 - 10 - S I - L O B - M

I Mounting Style

- 0 $\varnothing 7.2$ (.283) thru
- 1 1/4-20 thread
- 2 M6 x 1 thread

B Base Style

- 1 Standard
- 5 Integrated bumper version

M Material

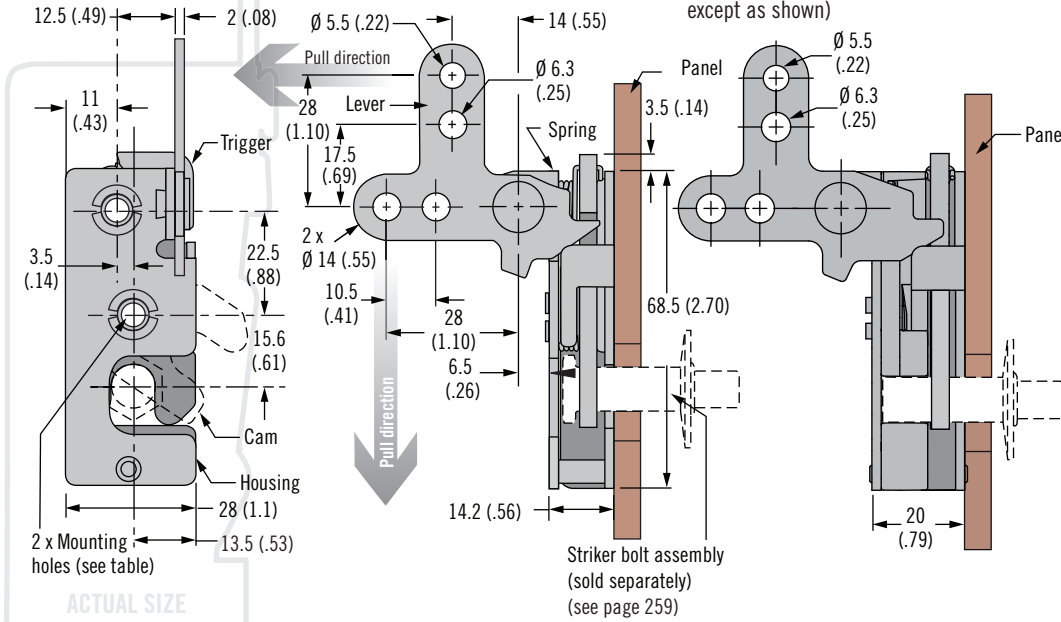
- 10 Steel
- 20 Stainless steel

R4 Rotary Latch

Light-Duty · Concealed · Single and two stage

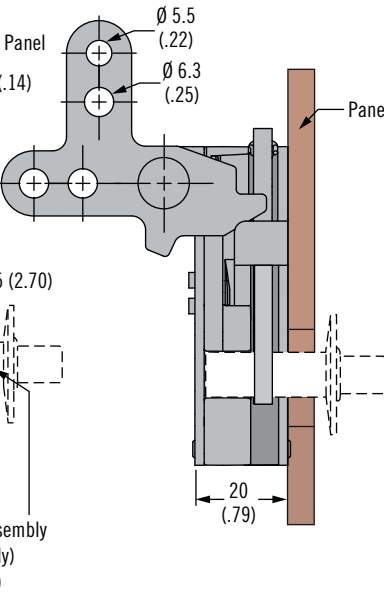


Single Stage - Two Point (left hand actuation shown)



Integrated Bumper Version

(dimensions same as standard version except as shown)



- Compatible with wide array of actuators
- EN 45545-3 E60 Compliant (Standard version only)
- Integrated bumper version for anti-vibration feature

Material and Finish

Steel, zinc plated or 304 stainless steel, passivated

Accessories

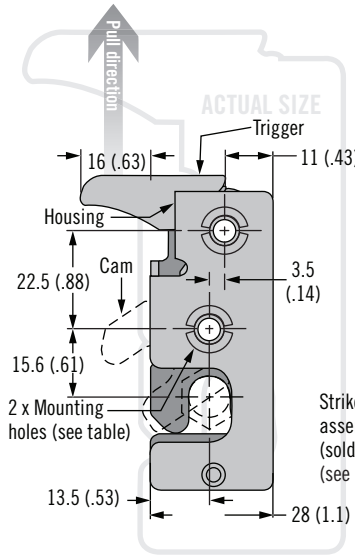
Striker bolts for standard version and integrated bumper version are different. See page 297 for both versions.

Cables and retainer clips see page 322-323

Notes

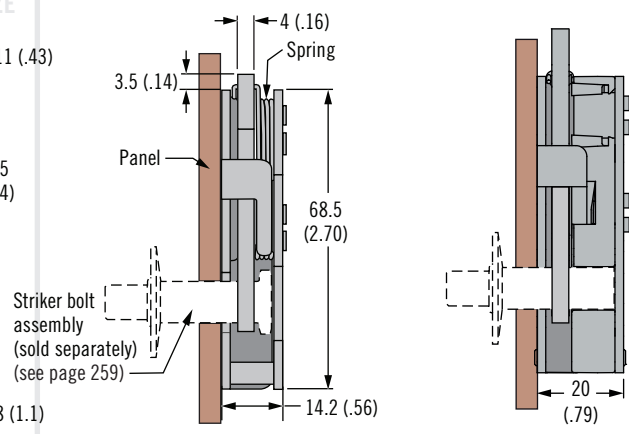
Electromechanical rotary latch available see page 20

Single Stage - Hand Actuation

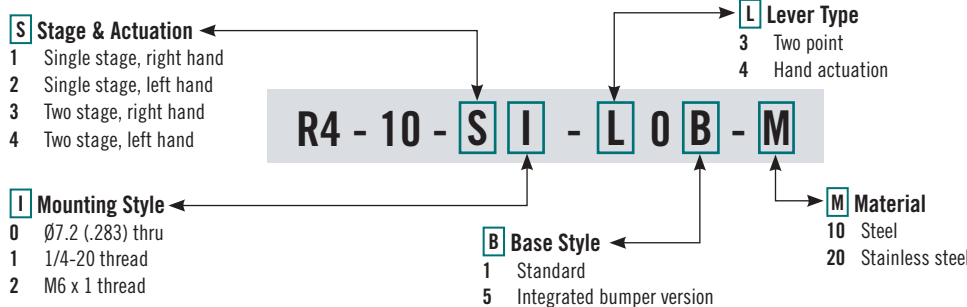


Integrated Bumper Version

(dimensions same as standard version except as shown)



Part Number Selection





R4 Rotary Latch

Light-Duty · Concealed · Single and two stage

- Compatible with wide array of actuators
- EN 45545-3 E60 Compliant (Standard version only)
- Integrated bumper version for anti-vibration feature

Material and Finish

Steel, zinc plated or 304 stainless steel, passivated

Accessories

Striker bolts for standard version and integrated bumper version are different. See page 297 for both versions.

Cables and retainer clips see pages 322-323

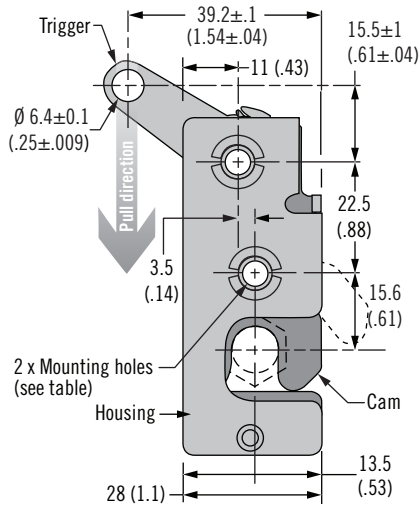
Notes

Electromechanical rotary latch available see page 20

For electrical actuation option see page 43

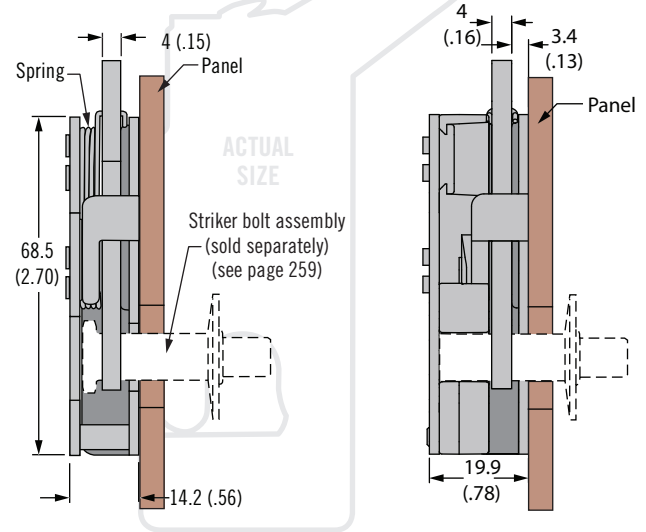
Single Stage - Bottom

(left hand actuation shown)



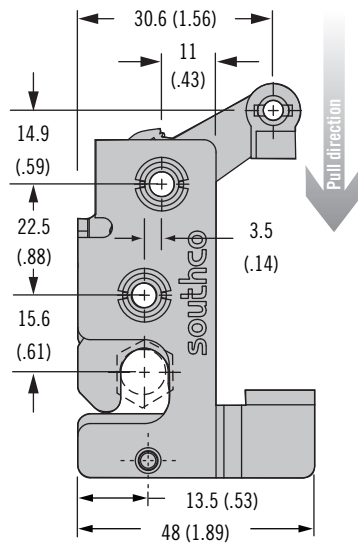
Integrated Bumper Version

(dimensions same as standard version except as shown)



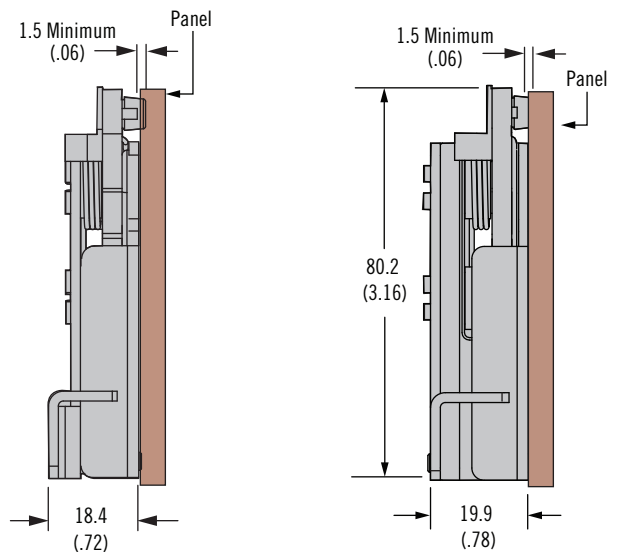
Single Stage - Bottom with Cable Bracket

(Right hand actuation shown)



Integrated Bumper Version

(dimensions same as standard version except as shown)



Part Number Selection

R4 - 10 - S I - 50 B - M

S Stage & Actuation

- 1 Single stage, right hand
- 2 Single stage, left hand
- 3 Two stage, right hand
- 4 Two stage, left hand

I Mounting Style

- 0 Ø7.2 (.283) thru
- 1 1/4-20 thread
- 2 M6 x 1 thread

B Base Style

- 1 Standard
- 2 Standard with cable bracket
- 5 Integrated bumper
- 6 Integrated bumper with cable bracket

M Material

- 10 Steel
- 20 Stainless steel

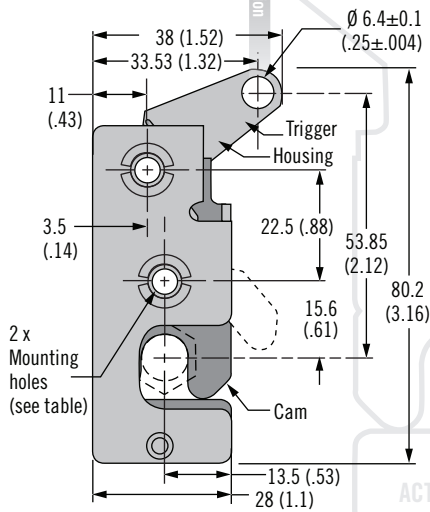
R4 Rotary Latch

Light-Duty · Concealed · Single and two stage



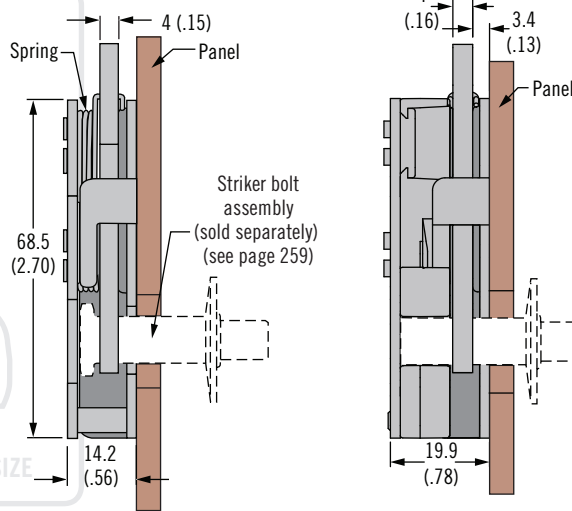
Single Stage - Top

(left hand actuation shown)



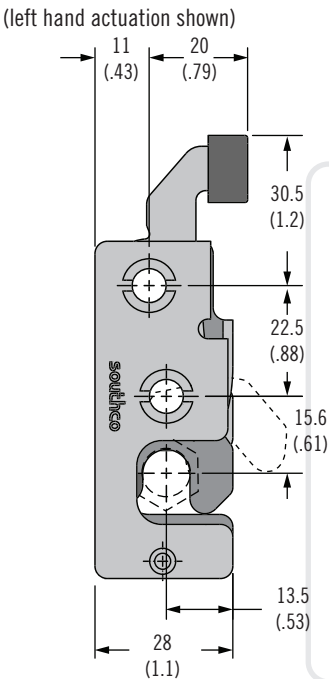
Integrated Bumper Version

(dimensions same as standard version except as shown)



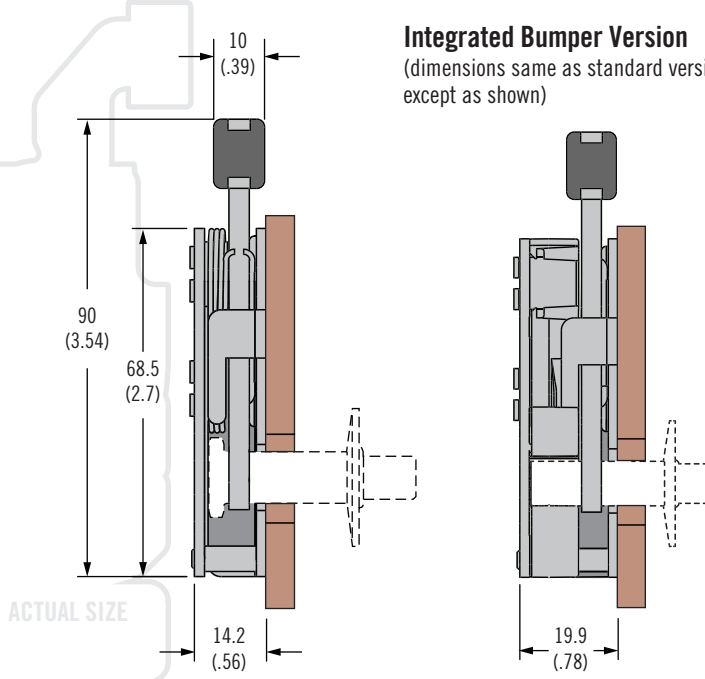
Single Stage - Direct Actuation

(left hand actuation shown)



Integrated Bumper Version

(dimensions same as standard version except as shown)



- Compatible with wide array of actuators
- EN 45545-3 E60 Compliant (Standard version only)
- Integrated bumper version for anti-vibration feature

Material and Finish

Steel, zinc plated

Accessories

Striker bolts for standard version and integrated bumper version are different. See page 297 for both versions.

Cables and retainer clips see page 322-323

Trigger - use retaining clip

R4-0-43922-2

Lever - use retaining clip

R4-0-43922

Notes

Electromechanical rotary latch available see page 20

Part Number Selection

S Stage & Actuation

- 1 Single stage, right hand
- 2 Single stage, left hand
- 3 Two stage, right hand
- 4 Two stage, left hand

L Lever Type

- 6 Top
- 9 Direct Actuation

R4 - 10 - S I - L 0 B - M

I Mounting Style

- 0 $\varnothing 7.2$ (.283) thru
- 1 1/4-20 thread
- 2 M6 x 1 thread

B Base Style

- 1 Standard
- 5 Integrated bumper version

M Material

- 10 Steel
- 20 Stainless steel



R4 Rotary Latch

Light-duty · Concealed · Dual Trigger · Single and two stage

- Direct actuation, no cable or rod required
- Integrated bumper version for anti-vibration feature
- EN 45545-3 E60 Compliant (Standard version only)

Material and Finish

Steel, zinc plated or 304 stainless steel, passivated

Accessories

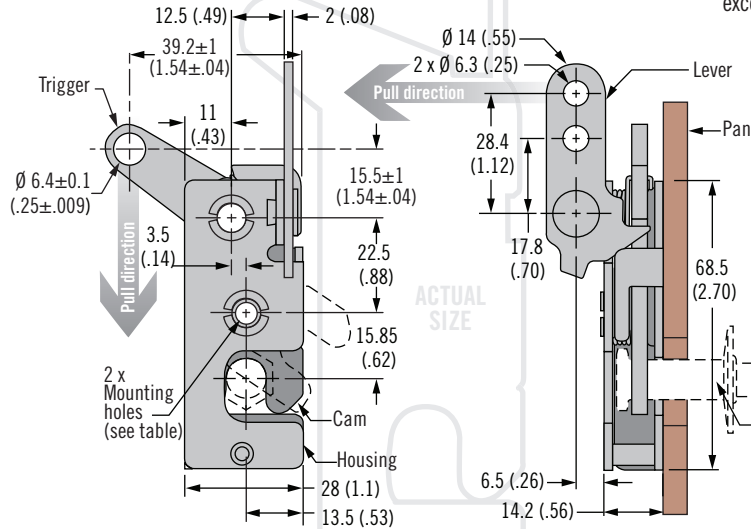
Striker bolts for standard version and integrated bumper version are different. See page 297 for both versions.

Notes

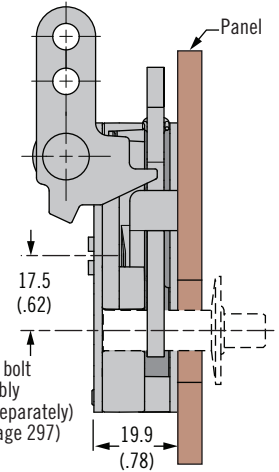
Electromechanical rotary latch available see page 20

For electrical actuation option for bottom lever designs, see page 43

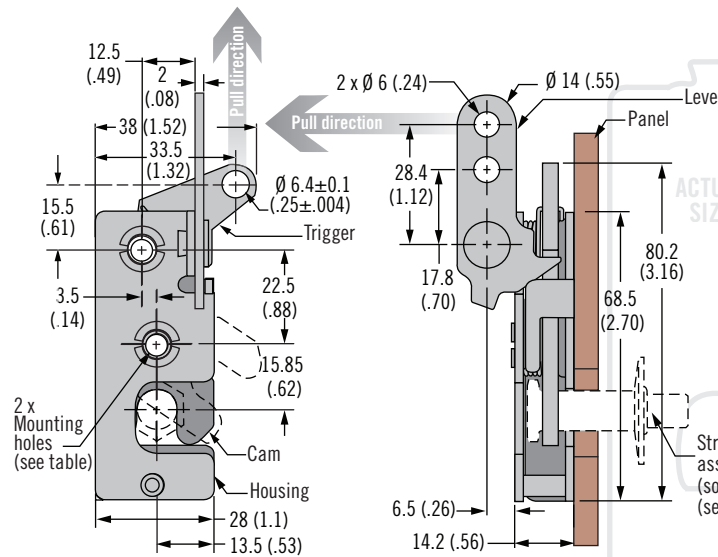
Single Stage - Dual Trigger - Bottom
(left hand actuation shown)



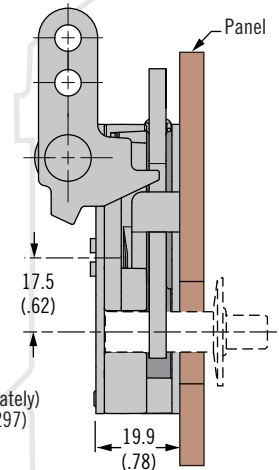
Integrated Bumper Version
(dimensions same as standard version except as shown)



Single Stage - Dual Trigger - Top
(left hand actuation shown)



Integrated Bumper Version
(dimensions same as standard version except as shown)



Part Number Selection

S Stage & Actuation

- 1 Single stage, right hand
- 2 Single stage, left hand
- 3 Two stage, right hand
- 4 Two stage, left hand

L Lever Type

- 7 Dual trigger, bottom
- 8 Dual trigger, top

I Mounting Style

- 0 $\varnothing 7.2$ (.283) thru
- 1 1/4-20 thread
- 2 M6 x 1 thread

B Base Style

- 1 Standard
- 5 Integrated bumper version

M Material

- 10 Steel

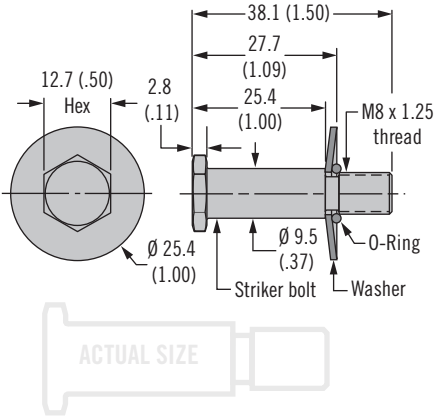
R4 - 10 - S I - L 0 B - M

R4 Rotary Latch

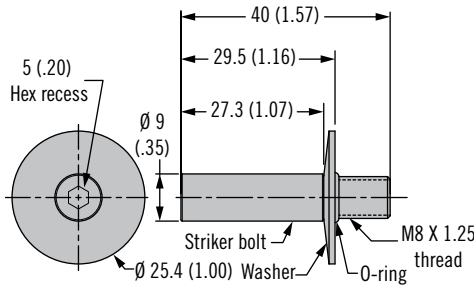
Striker bolt · Light-duty · Installation



Striker Bolt Assembly - Standard (sold separately)



Striker Bolt Assembly - Integrated Bumper (sold separately)

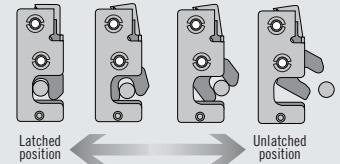


- Strikers for R4-10 series rotary latch

Material and Finish

Steel, zinc plated Steel, zinc nickel plated, Steel, black zinc nickel plated, Stainless Steel, passivated

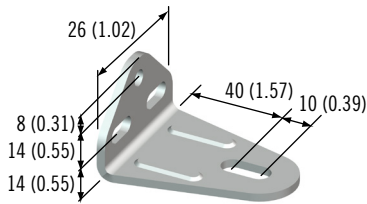
Operation



Striker Bolt Standard	
Part Number	Material
R4-90-121-10	Steel, Zinc Plated
R4-90-121-20	Stainless Steel

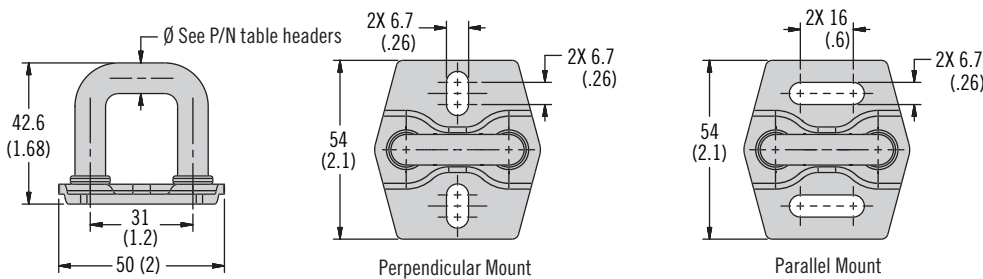
Striker Bolt Integrated Bumper	
Part Number	Material
R4-90-124-10	Steel, Zinc Plated
R4-90-124-20	Stainless Steel

Striker 90° Mounting Bracket



Striker Mounting Bracket	
Part Number	Material
R4-0-50114	Stainless Steel

Wire Form Strikers (sold separately)



Wire Form Strikers - Standard Ø9.2 (.36)		
Part Number	Mount	Material
R4-90-101-10	Perpendicular	Steel, Zinc Plated
R4-90-101-15	Perpendicular	Steel, Black Zinc Nickel Plated
R4-90-101-77	Perpendicular	Steel, Zinc Nickel Plated
R4-90-102-10	Parallel	Steel, Zinc Plated
R4-90-102-15	Parallel	Steel, Black Zinc Nickel Plated
R4-90-102-77	Parallel	Steel, Zinc Nickel Plated

Wire Form Strikers - Integrated Bumper Ø9 (.35)		
Part Number	Mount	Material
R4-90-104-10	Perpendicular	Steel, Zinc Plated
R4-90-104-15	Perpendicular	Steel, Black Zinc Nickel Plated
R4-90-104-77	Perpendicular	Steel, Zinc Nickel Plated
R4-90-106-10	Parallel	Steel, Zinc Plated
R4-90-106-15	Parallel	Steel, Black Zinc Nickel Plated
R4-90-106-77	Parallel	Steel, Zinc Nickel Plated



R4 Rotary Latch

Medium-Duty – Concealed

- Symmetrical design with cable mount simplifies installation
- Integrated bumper reduces noise and dampens vibration
- Front or side mount

Material and Finish

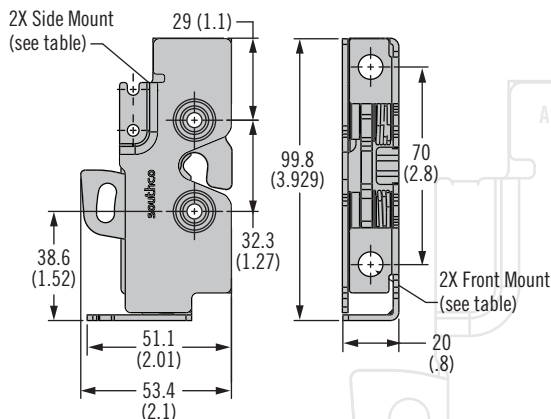
Steel, zinc plate or zinc nickel plate

Accessories

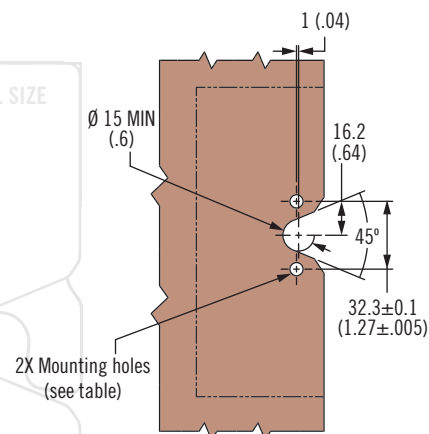
Strikers see page 297 for 9mm diameter (integrated bumper) solutions.

Cables and retainer clips see pages 322-323

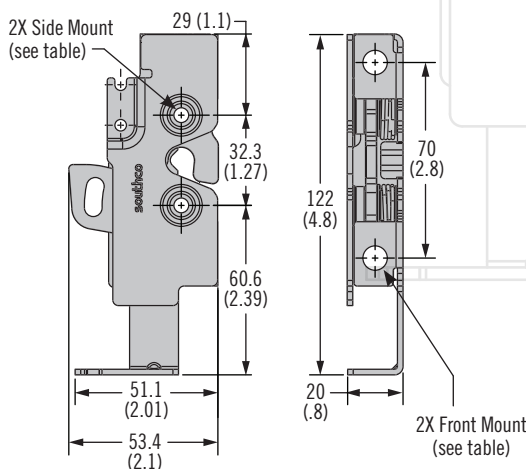
Latch with mount for cable without return assist spring



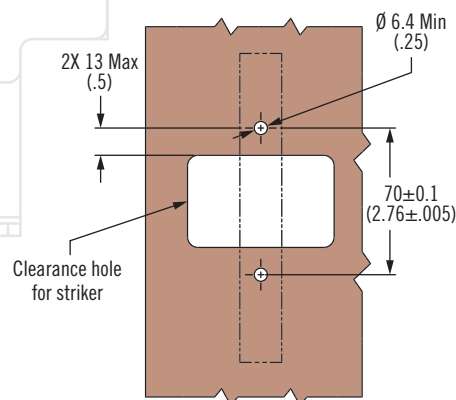
Panel preparation side mount



Latch with mount for cable with return assist spring



Panel preparation front mount



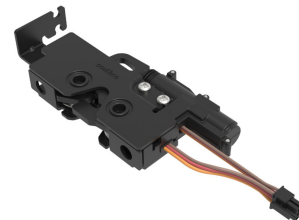
Part Number Selection

R4 - 25 - 2 **I** **0 - 500** **B** - **MM**

- I** Mounting Style
- 0 Side mount Ø6.7(.283) thru
 - 1 Side mount 1/4-20 thread
 - 2 Side mount M6 x 1 thread
 - 3 Front mount (M6) with side mount Ø6.7(.283) thru

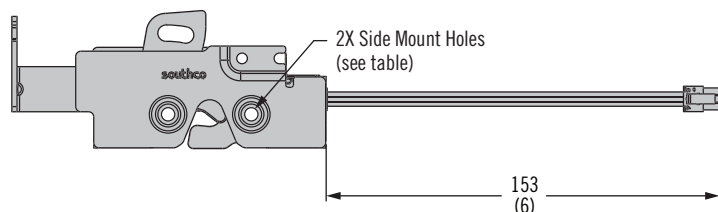
- MM** Material
- 10 Steel, zinc plated
 - 15 Steel, black zinc nickel

- B** Base Style
- 2 Mount for cable with return spring assist, no bumper
 - 3 Mount for cable without return spring assist, no bumper
 - 6 Mount for cable with return spring assist, with bumper
 - 7 Mount for cable without return spring assist, with bumper



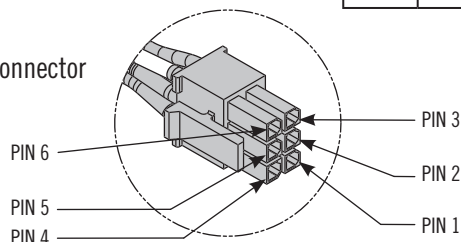
Latch with door sensor

(with mount for cable with return assist spring shown)



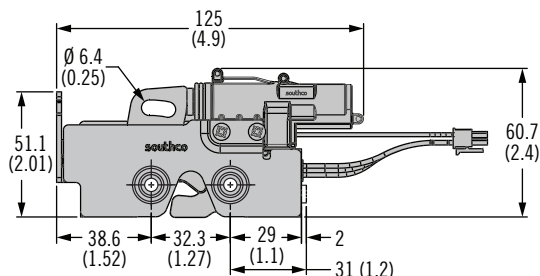
Switch Pin Out	
Pin	Function
1	No connect
2	No connect
3	No connect
4	Switch common
5	Door secure
6	Door open

Molex Micro-Fit 3.0 connector



Latch with door sensor and 12 V sealed electronic actuator

(with mount for cable without return assist spring shown)



Switch with Actuator Pin Out	
Pin	Function
1	Ground
2	Power release
3	Power relock
4	Switch common
5	Door secure
6	Door open

Enable wireless operation with Southco's **BLUETOOTH®** Controller



Part Number Selection

R4 - 25 - 2 I 0 - 5 1 E B - MM

I Mounting Style

- 0 Side mount $\varnothing 6.7(.283)$ thru
- 1 Side mount 1/4-20 thread
- 2 Side mount M6 x 1 thread
- 3 Front mount (M6) with side mount $\varnothing 6.7(.283)$ thru

E Electronic Actuation Options

- 0 None (latch with switch only)
- B 12VDC sealed (latch with switch and electronic actuator)

MM Material

- 10 Steel, zinc plated
- 15 Steel, black zinc nickel

B Base Style

- 2 Mount for cable with return spring assist, no bumper
- 3 Mount for cable without return spring assist, no bumper
- 6 Mount for cable with return spring assist, with bumper
- 7 Mount for cable without return spring assist, with bumper



R4 Rotary Latch

Medium-Duty · Concealed · Single and two stage

- Compatible with wide array of actuators
- Hand actuation option
- EN 45545-3 E60 Compliant

Material and Finish

Steel, zinc plated or 304 stainless steel, passivated

Accessories

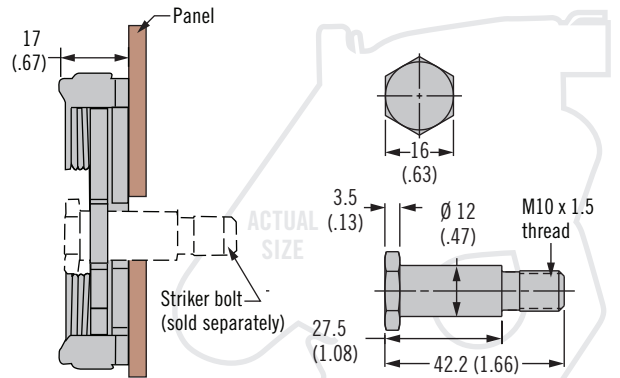
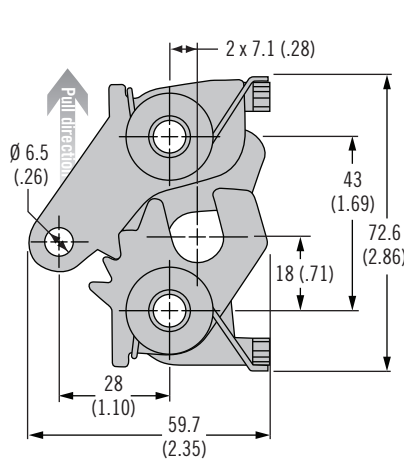
Cables and retainer clips see pages 322-323

Notes

Electromechanical rotary latch available see page 20

For panel preparation visit www.southco.com/R4

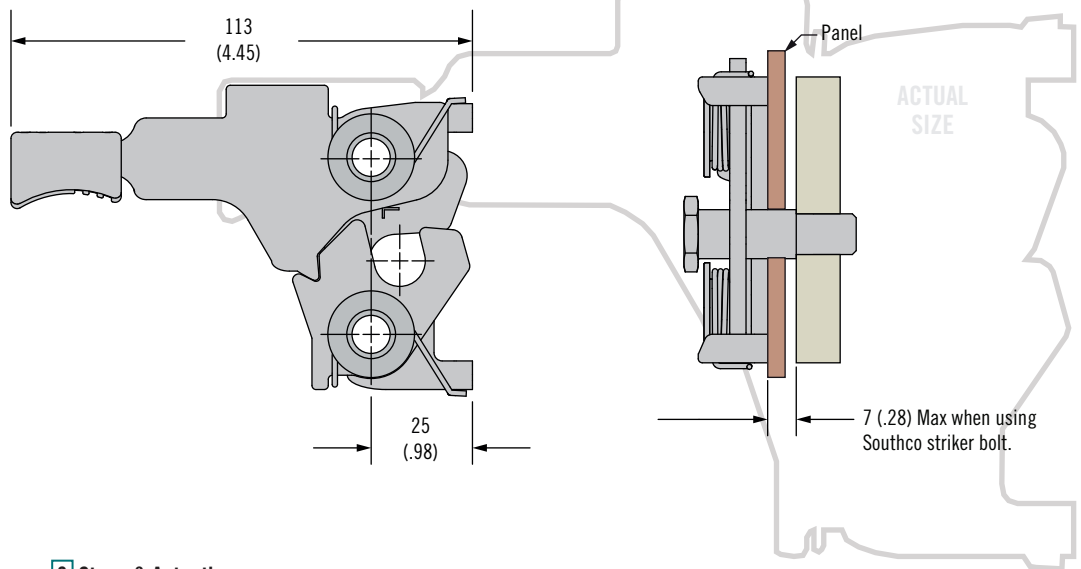
Remote Actuation (left hand, two stage version shown)



Striker Bolt (sold separately)

Striker Bolt Part Numbers	
Part Number	Material
R4-91-231-10	Steel
R4-91-231-20	Stainless Steel

Hand Actuation (left hand, single stage version shown)



Part Number

See table

Order latch and striker separately

S Stage & Actuation

- 1 Single stage, right hand
- 2 Single stage, left hand
- 3 Two stage, right hand
- 4 Two stage, left hand

I Mounting Style

- 0 \varnothing 8.3 (.327) thru
- 1 5/16-18 thread
- 2 M8 x 1.25 thread

R4 - 20 - S I - L 01 - M

L Lever Type

- 4 Hand actuation (steel only)
- 5 Bottom

M Material

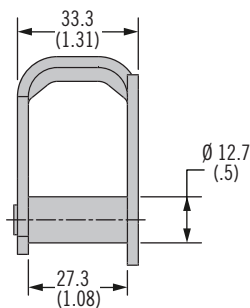
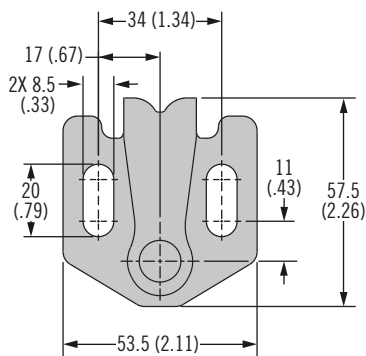
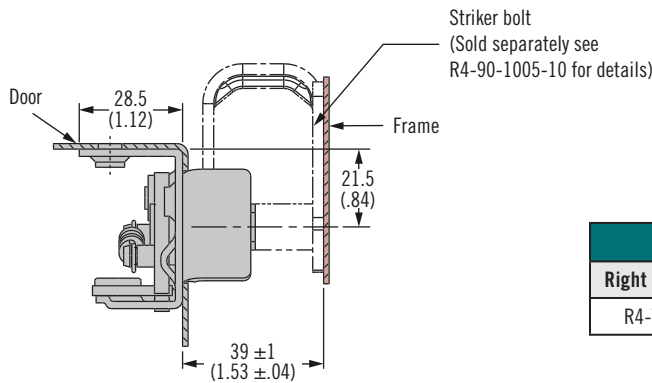
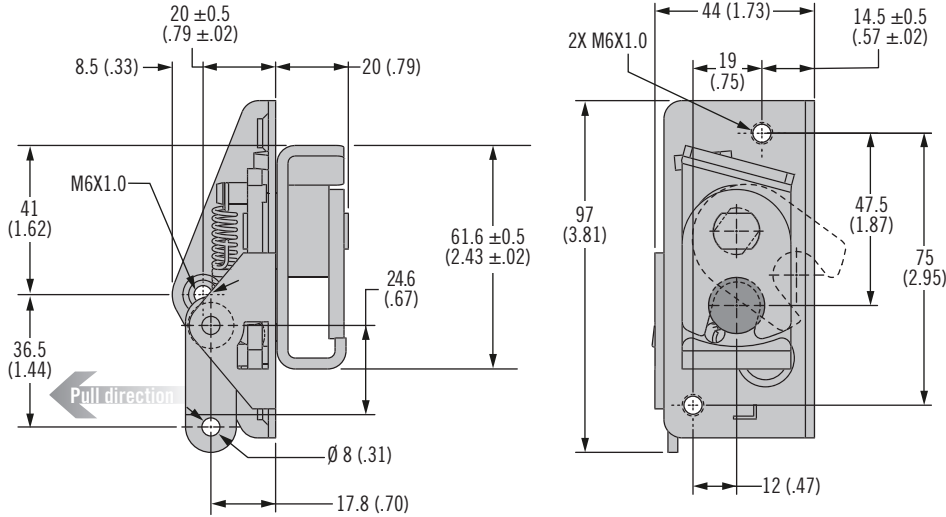
- 10 Steel
- 20 Stainless steel

R4 Rotary Latch

Medium · Concealed · Debris Resistant · Two stage



Two Stage (Left hand actuation shown)



Part Number	
Right Hand Actuation	Left Hand Actuation
R4-75-32-201-10	R4-72-42-201-10

Protected Striker	
Part Number	Material
R4-90-1005-10	Steel

- Compatible with a wide array of actuators
- Debris resistant concealed mounting
- Two stage latching

Material and Finish

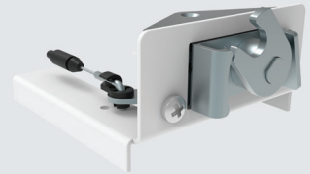
Steel, zinc plated

Accessories

Retainer clip AC-9BX-20-34 see page 323

Notes

Electromechanical rotary latch available see page 20



Part Number

See table

Order latch and striker separately



R4 Rotary Latch

Heavy-Duty · Concealed · Single and two stage

- Compatible with wide array of actuators
- FMVSS 206 capable options
- EN 45545-3 E60 compliant (Standard version only)
- Integrated bumper version for anti-vibration feature

Material and Finish

Steel, zinc plated
 Steel, zinc nickel plated (black and clear)
 Stainless steel, passivated

Accessories

Cables and retainer clips see pages 322-323

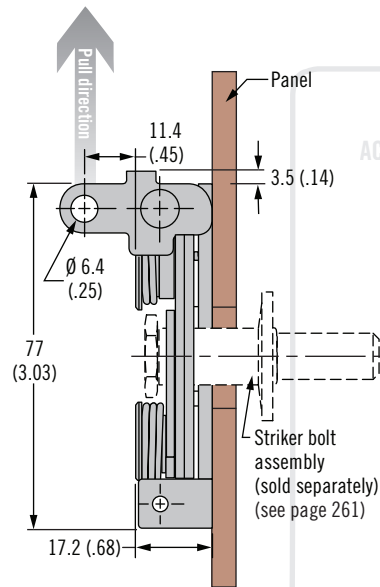
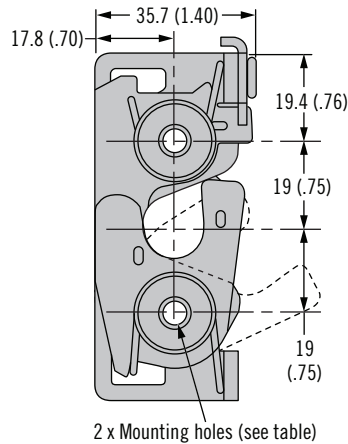
Striker options see page 301

Notes

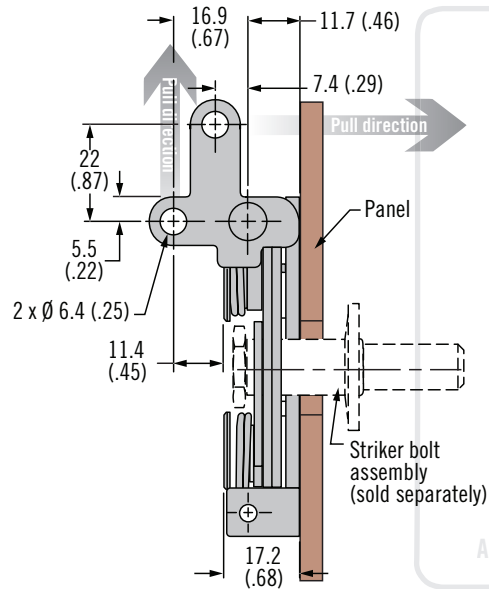
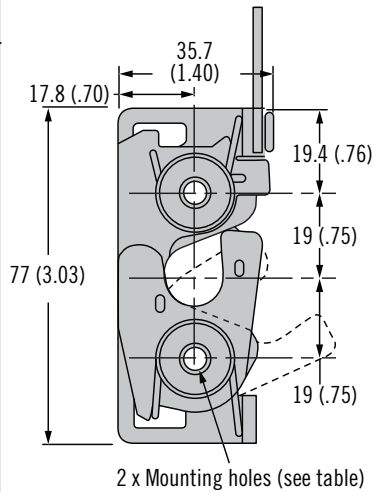
R4-38-101-10 support plate sold separately for FMVSS 206 capability
 Mounts opposite of latch housing.



Perpendicular (left hand actuation shown)



2-Point Actuator (left hand actuation shown)



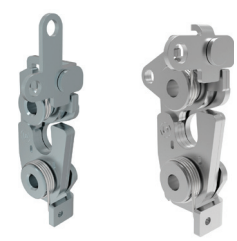
Part Number Selection

R4 - 30 - S I - L O B - M

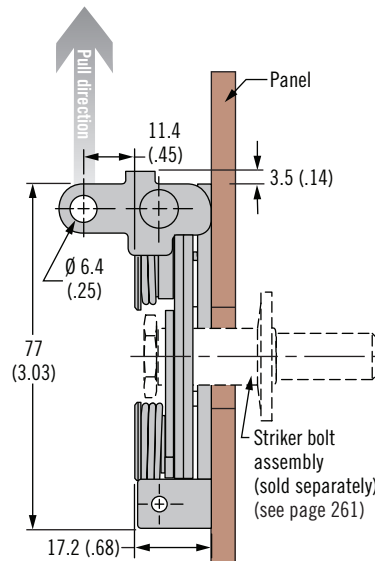
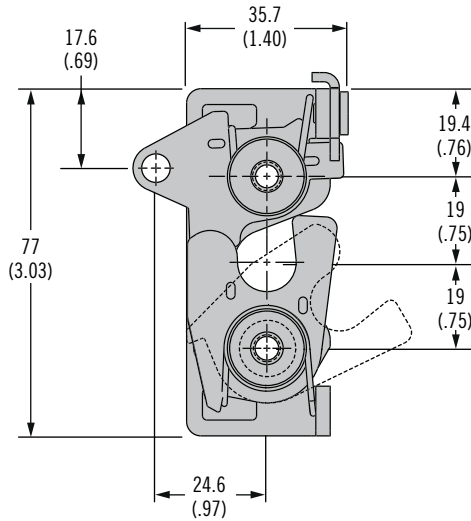
<p>S Stage & Actuation</p> <ul style="list-style-type: none"> 1 Single stage, right hand 2 Single stage, left hand 3 Two stage, right hand 4 Two stage, left hand 	<p>I Mounting Style</p> <ul style="list-style-type: none"> 0 Ø6.7 (.283) thru 1 1/4-20 thread 2 M6 x 1 thread 	<p>1 Base Style</p> <ul style="list-style-type: none"> 1 Standard 5 Integrated bumper 	<p>L Lever Type</p> <ul style="list-style-type: none"> 1 Perpendicular 3 Two point 7 Dual Lever, Bottom & Perpendicular 	<p>M Material</p> <ul style="list-style-type: none"> 10 Steel, zinc plated 15 Steel, black zinc nickel 77 Steel, clear zinc nickel 20 Stainless steel
--	---	--	---	--

R4 Rotary Latch

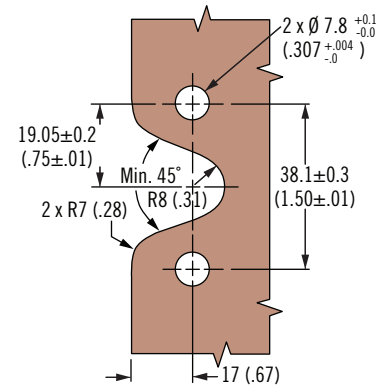
Heavy-Duty · Concealed · Single and Two stage



Dual Trigger (left hand actuation shown)



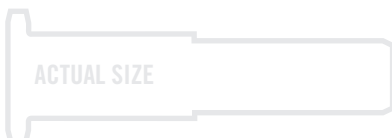
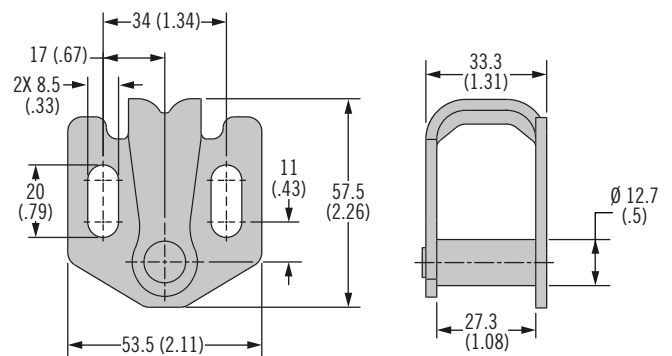
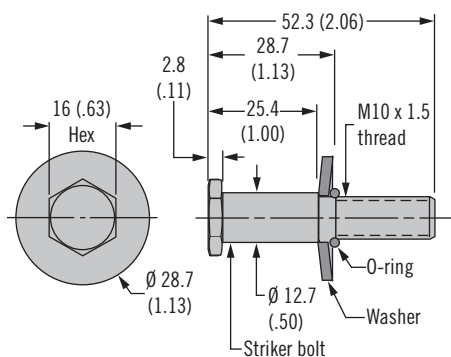
Panel Preparation



Strikers (sold separately)

Striker Bolt Part Number	
Part Number	Material
R4-90-321-10	Steel
R4-90-321-20	Stainless Steel

Protected Striker	
Part Number	Material
R4-90-1005-10	Steel
*Not FMVSS 206 Capable	





R4 Rotary Latch

Heavy-Duty · Concealed · Single and two stage

- Compatible with wide array of actuators
- FMVSS 206 capable options
- EN 45545-3 E60 compliant (Standard version only)
- Integrated bumper version for anti-vibration feature

Material and Finish

Steel, zinc plated
Steel, zinc nickel plated (black and clear)
Stainless steel, passivated

Accessories

Cables and retainer clips see pages 322-323

Striker options see page 301

Notes

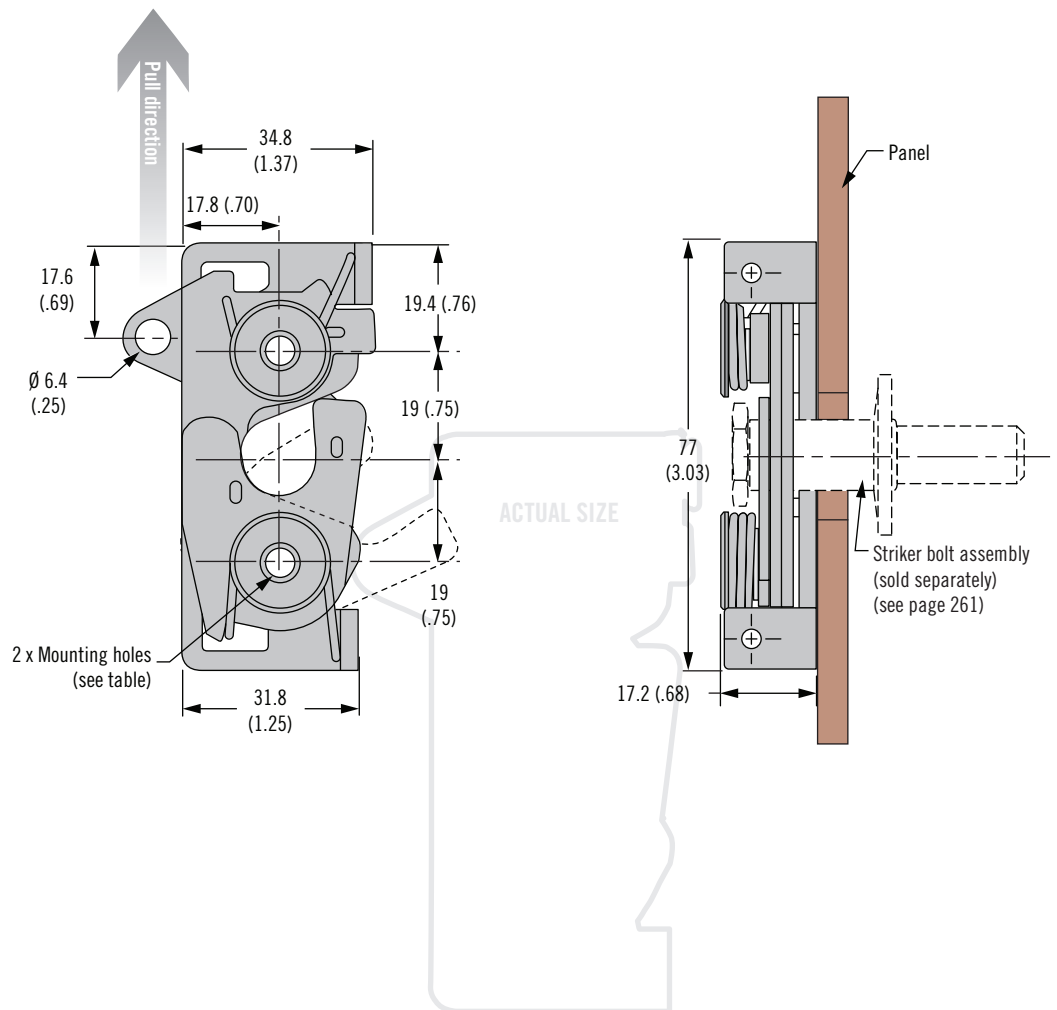
R4-38-101-10 support plate sold separately for FMVSS 206 capability
Mounts opposite of latch housing.



Part Number Selection

Bottom

(left hand actuation shown)



S Stage & Actuation

- 1 Single stage, right hand
- 2 Single stage, left hand
- 3 Two stage, right hand
- 4 Two stage, left hand

I Mounting Style

- 0 $\varnothing 6.7$ (.283) thru
- 1 1/4-20 thread
- 2 M6 x 1 thread

R4 - 30 - **S** **I** - 50 **B** - **M**

1 Base Style

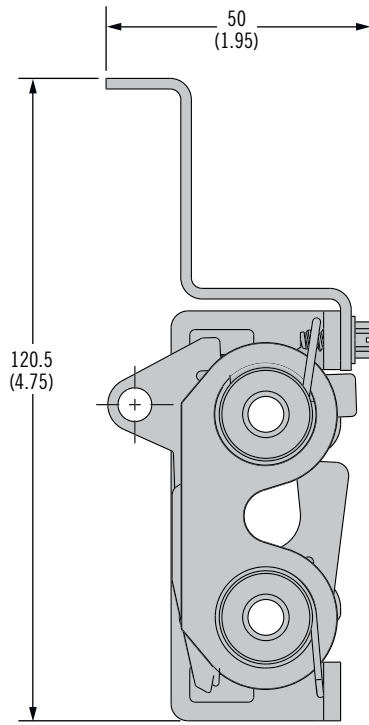
- 1 Standard
- 2 Standard with cable bracket for spring
- 3 Standard with cable bracket no spring
- 5 Integrated bumper
- 6 Integrated bumper with cable bracket for spring
- 7 Integrated bumper with cable bracket no spring

M Material

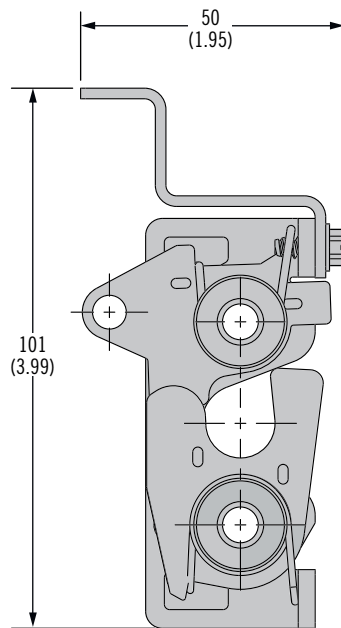
- 10 Steel, zinc plated
- 15 Steel, black zinc nickel plated
- 77 Steel, clear zinc nickel
- 20 Stainless steel

Bottom with cable bracket

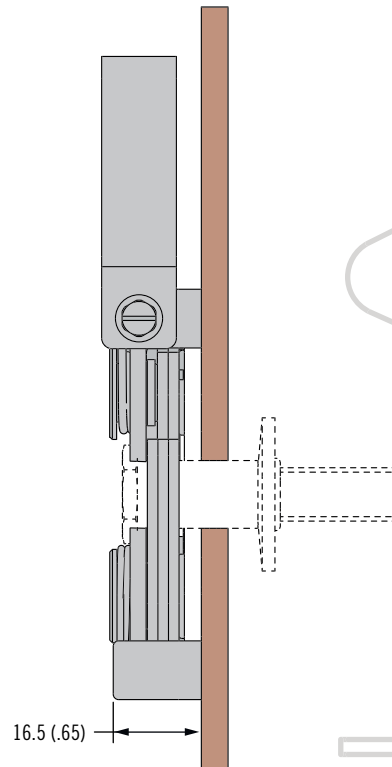
(left hand actuation shown)



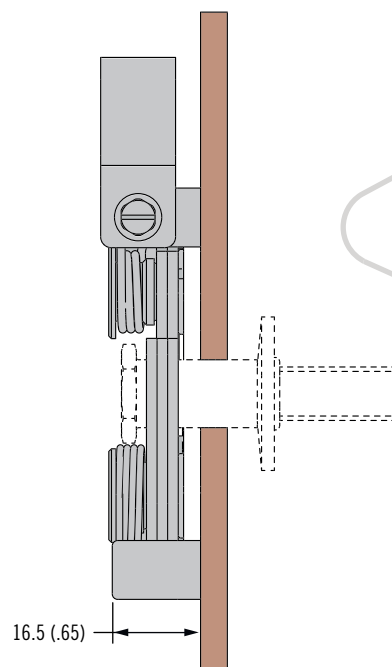
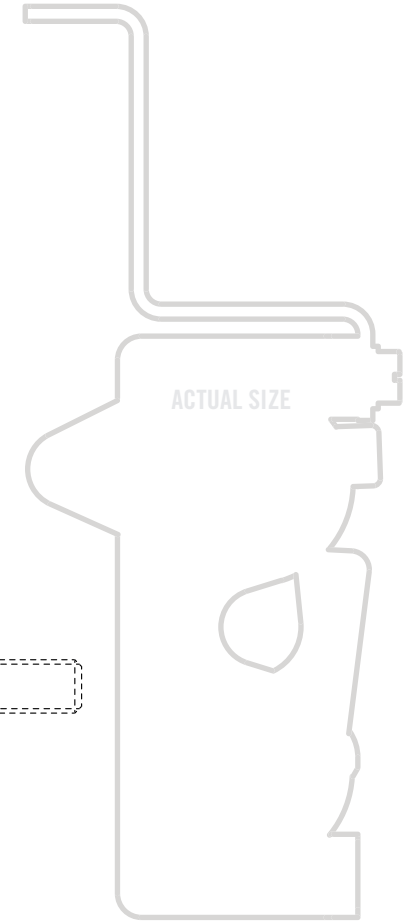
(with bumper shown)



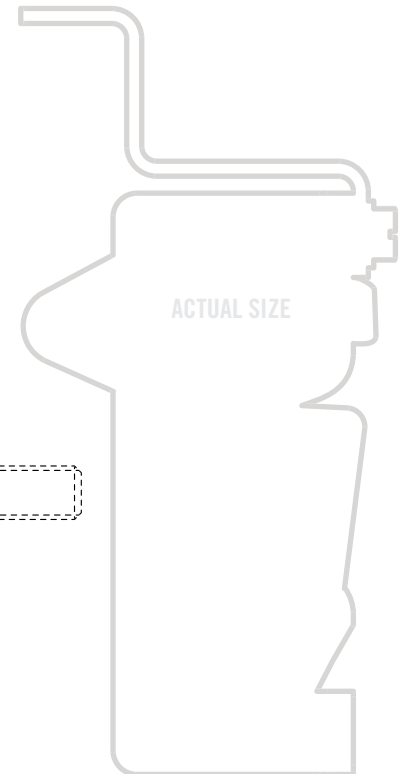
(without bumper shown)



16.5 (.65)



16.5 (.65)





R4 Rotary Latch

Heavy-duty · Two stage

- Single or multi-point latch capability
- Compatible with a wide array of actuators
- FMVSS 206 capable
- EN 45545-3 E60 compliant

Material and Finish

Steel, zinc plated

Accessories

Cables and retainer clips see pages 322-323

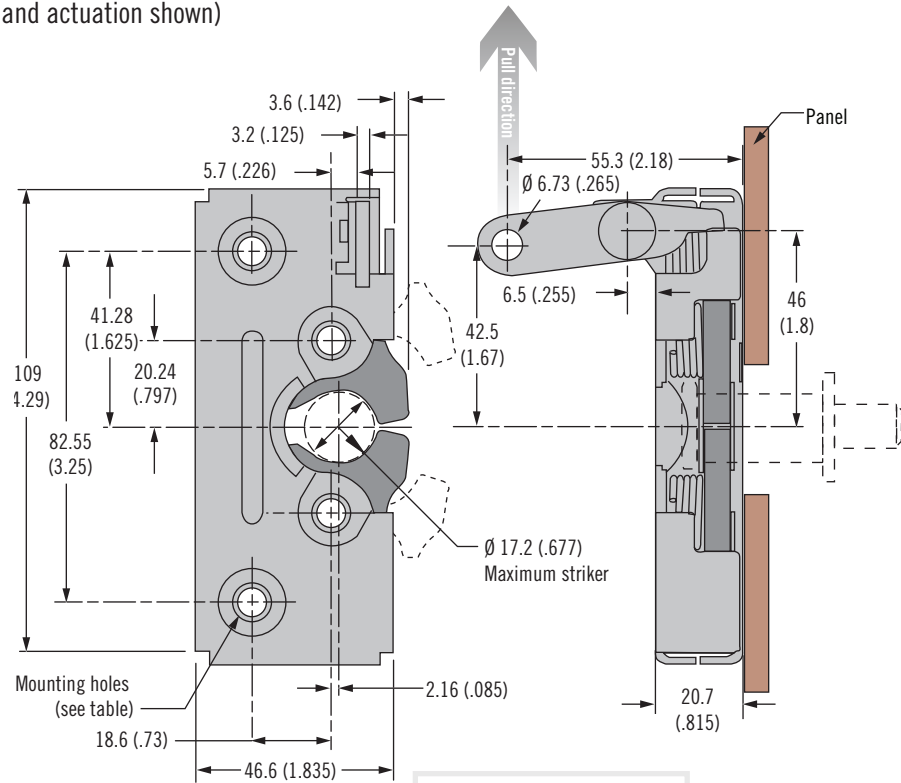
Notes

Electromechanical rotary latches available see page 20

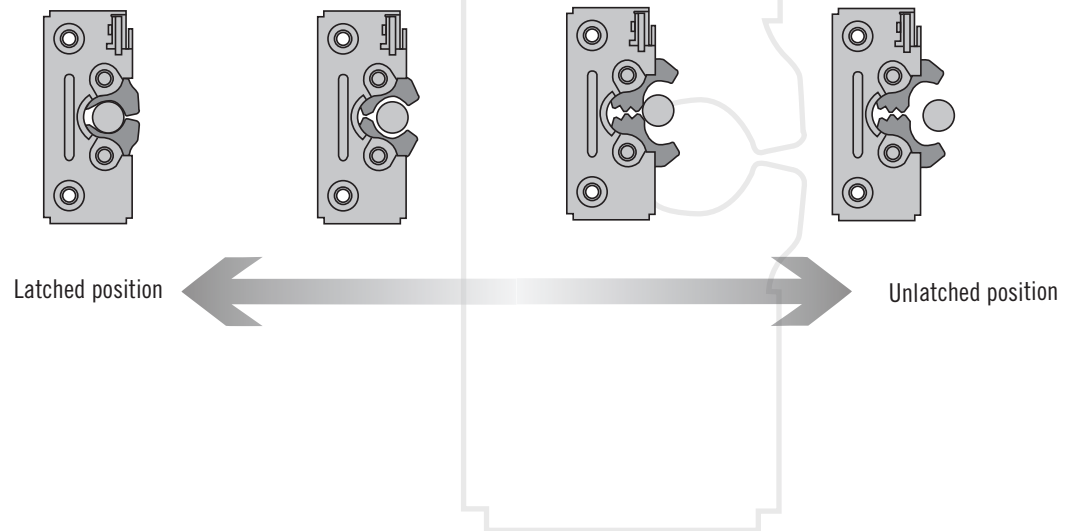
For panel preparation visit www.southco.com/R4

Striker Bolt Assembly (sold separately): R4-90-441-10

Single Trigger, Perpendicular Actuation (left hand actuation shown)



Operation





Part Number Selection

R4 - 50 - **S** **I** - 101 - 10

S Stage & Actuation

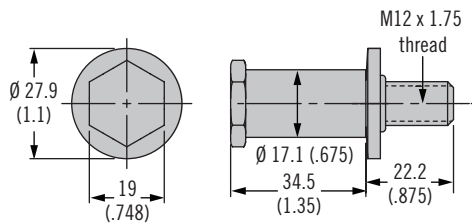
- 1 Single stage, right hand
- 2 Single stage, left hand
- 3 Two stage, right hand
- 4 Two stage, left hand

I Mounting Style

- 0 7.2mm thru hole
- 1 1/4-20 thread
- 2 M6 thread

Striker Bolt Assembly (sold separately)

R4-90-441-10 Steel, Zinc Plated

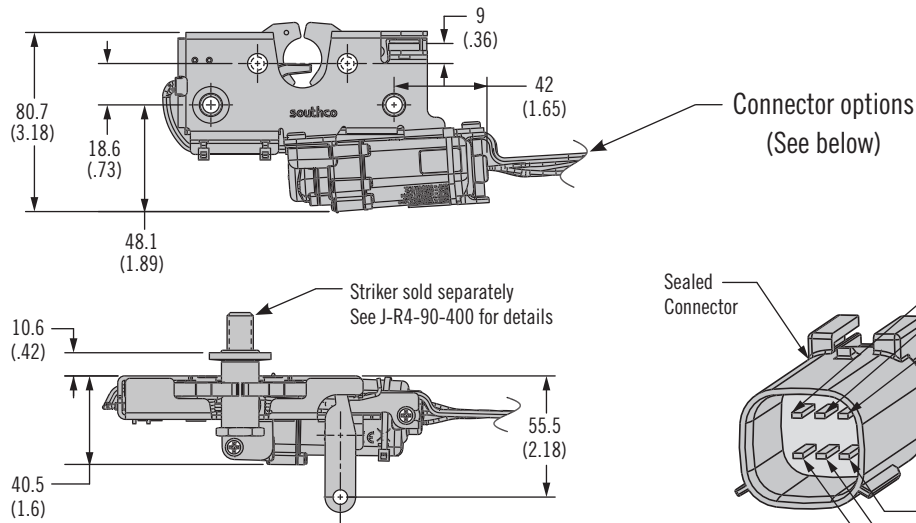




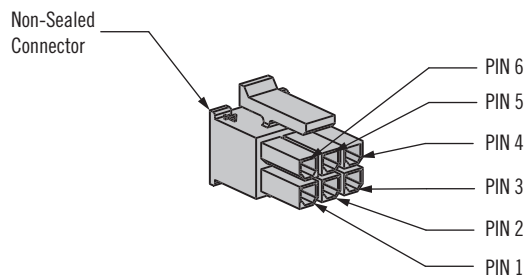
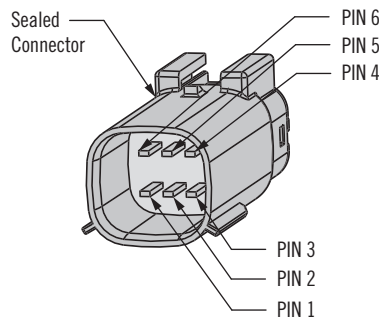
R4 Rotary Latch

Heavy-Duty – Concealed – Electronic Operation and Door Sensing

Latch with door sensor, 12V sealed electronic actuator
(right hand actuation shown)



Connector Pinout		
Pin	Wire Color	Function
1	Brown	Ground
2	Red	Power release
3	Orange	Power relock
4	Black	Switch common
5	Blue	Door secure
6	Grey	Door open



Enable wireless operation with Southco's **BLUETOOTH®** Controller

Part Number Selection

R4 - 50 - S I - 1 E 1 - 10

- I** Stage & Actuation
 3 Two stage right hand
 4 Two stage left hand

- I** Mounting Style
 0 7.2 mm thru hole
 1 1/4-20 threaded
 2 M6 threaded

- E** Electronics
 EA With switch and actuator, non-sealed connector
 EB With switch and actuator, stripped & tinned wires
 EC With switch and actuator, sealed connector

- High strength door retention (FMVSS 206)
- Sensor verifies door closure
- Exceptional cycle life
- Quick release
- Sealed actuator
- Releases reliably under high load

Material and Finish

Latch: steel, zinc plate or zinc nickel plate
 Actuator: PC/ABS, acetal, silicone, buna seals

Electronic specifications:

Operating voltage 12 VDC nominal
 Operating current < 600mA
 Temperature -40 to 80°C
 Sealed (IP65)

Accessories

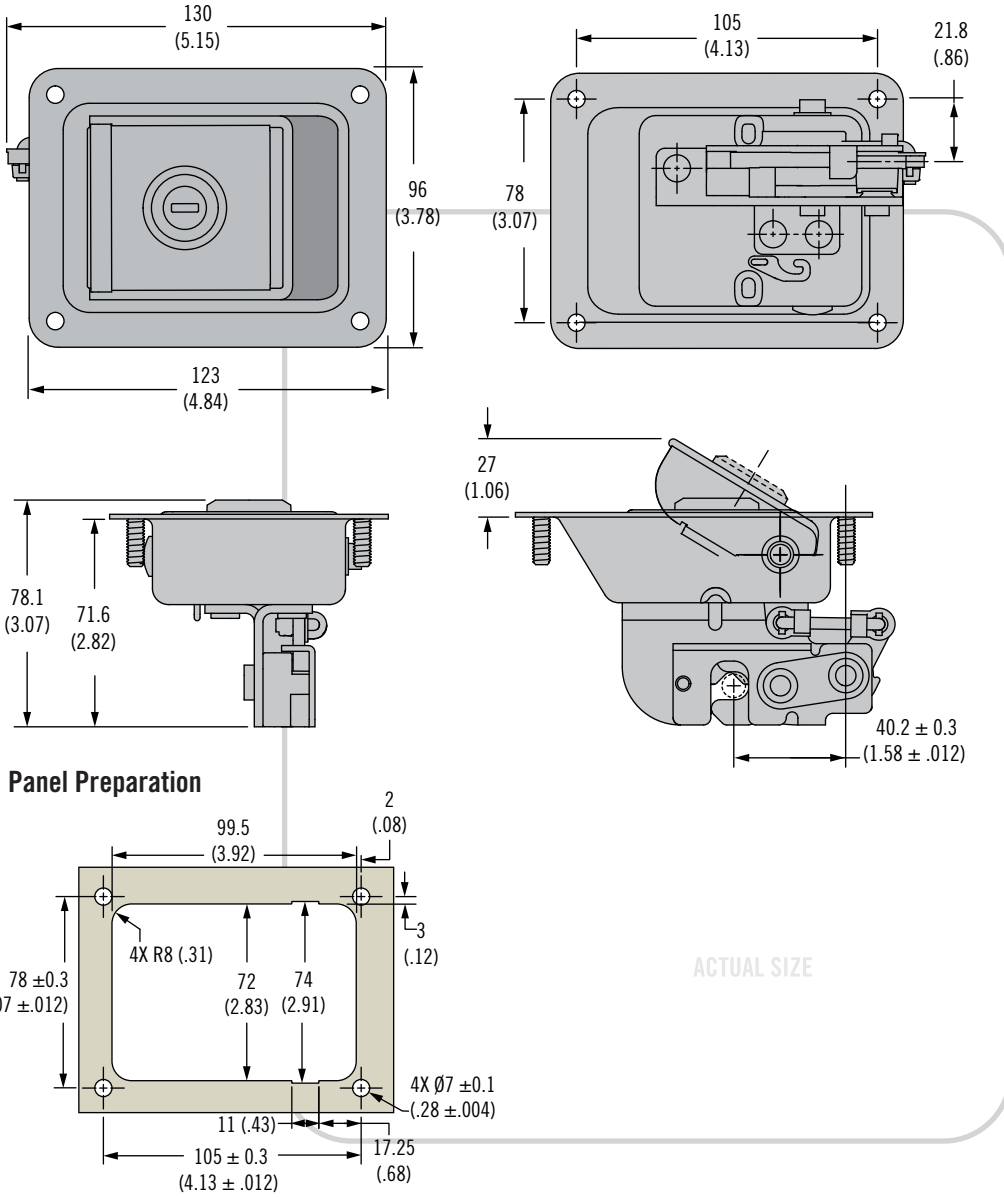
Striker Bolt Assembly (sold separately) R4-90-441-10
 Cables and retainer clips see pages 322-323



Dimensions in millimeters (inch) unless otherwise stated

R4-82 Rotary Paddle Latch

Pull-to-open



- Direct actuation, no cable or rod required
- Single or two stage latching
- Integrated bumper
- Thru hole or stud mounting options



Material and Finish

Cup and handle: Steel, zinc plated or black powder coat

Lock slide, latch frame, pawl, trigger: Steel, zinc plated

Installation Notes

Thru hole: M5 or #8 screws recommended

Studs: Use M6 mounting nuts (max tightening torque 7 N·m (62 in·lbf))

Studs: Max panel thickness 10 (.39)

Accessories

Striker bolt see page 297

Notes

For lock core selection and a complete overview of the *SOUTHCO*® Key-Choice System see page 190

Panel Preparation

ACTUAL SIZE

Part Number Selection

See table

S Stage

- 6 Single Stage with Integrated Bumper
- 8 Two Stage with Integrated Bumper

L Locking Options

- 1 Reversible Key (No Keys - R001)
- 2 Reversible Key (2 Keys included - R001)
- 3 Reversible Key (Keyed differently - 2 keys included)
- 4 Standard Key (No keys - CH751)
- 5 Standard Key (2 Keys included - CH751)
- 6 Standard Key (Keyed differently - 2 keys included)
- 7 Reversible Key (2 keys included - 14603)
- 9 No Lock Plug installed (See notes for more information)

H Housing

- 2 Rivet Thru Hole 5.2 (.20)
- 4 Press-in Studs

PP Finish

- 10 Zinc plated
- 50 Black powder coated

KC Key Codes

(Omit for Locking Options 1, 2, 4, 5 and 9)

- *KD10 Keyed Differently (Only used if **L** = 3 or 6)
- *MK10 Master Keyed Differently (Only used if **L** = 6)

*Supplied in multiples of 10 with 10 different key codes.

R4 - 82 - S L H - PP - KC