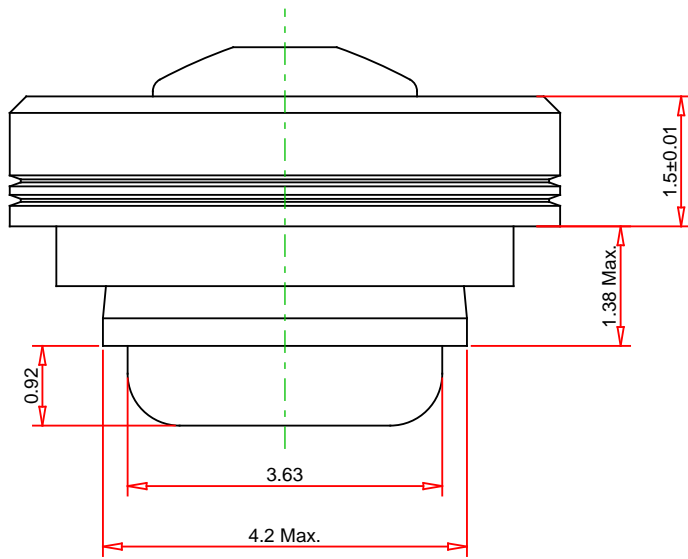


HAEGER® Part Number	
Anvil	H-186-4/M3L
Punch	H-185-4/M3L




© 2024 PennEngineering

ALL DIMENSIONS IN MILLIMETERS

DATE 16-APR-2024

NOTE : DRAWING NOT TO SCALE

THREAD : M2.5 x 0.45	MOUNTING HOLE DIA. : 4.22 +0.08 -0.00
MATERIAL: 300 Series Stainless Steel	PANEL THICKNESS: 1.4 MINIMUM
HEAT TREAT: NONE	MAX. PANEL HARDNESS: HRB 70 / HB 125
FINISH: Passivated and/or tested per ASTM A380	MIN CENTERLINE-TO-EDGE: 4.8
DESCRIPTION : PEM® PreTect™ Thread Masking Plugs	 <b>PennEngineering®</b>
PART NO. : CLS-M2.5-2-TP	