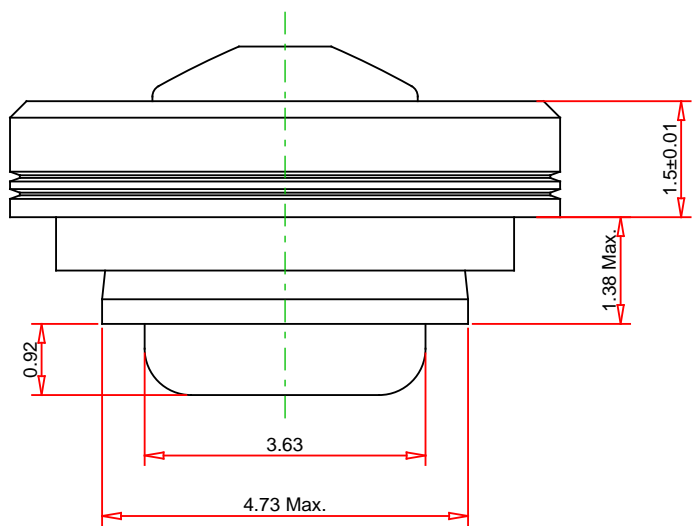


HAEGER® Part Number	
Anvil	H-186-6/M3.5L
Punch	H-185-6/M3.5L



© 2024 PennEngineering

ALL DIMENSIONS IN MILLIMETERS

DATE 16-APR-2024

NOTE : DRAWING NOT TO SCALE

THREAD : M3.5 x 0.6	MOUNTING HOLE DIA. : 4.75 +0.08 -0.00
MATERIAL: 300 Series Stainless Steel	PANEL THICKNESS: 1.4 MINIMUM
HEAT TREAT: NONE	MAX. PANEL HARDNESS: HRB 70 / HB 125
FINISH: Passivated and/or tested per ASTM A380	MIN CENTERLINE-TO-EDGE: 5.6

DESCRIPTION :
 PEM® PreTect™ Thread Masking Plugs



PART NO. :
 CLS-M3.5-2-TP

EMAIL: TECHSUPPORT@PEMNET.COM
 WWW.PEMNET.COM