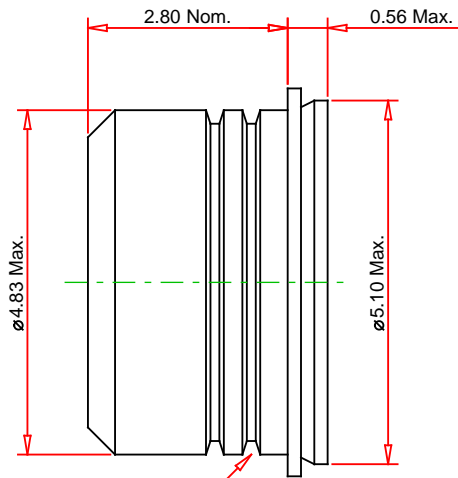
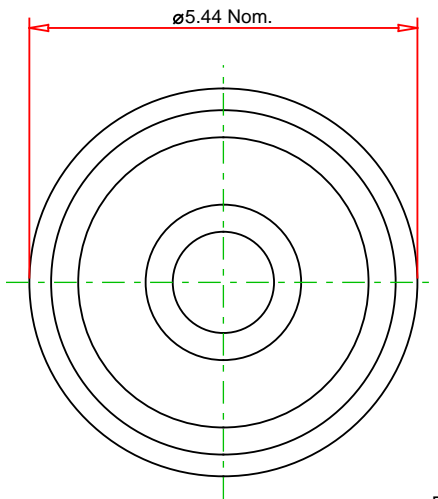
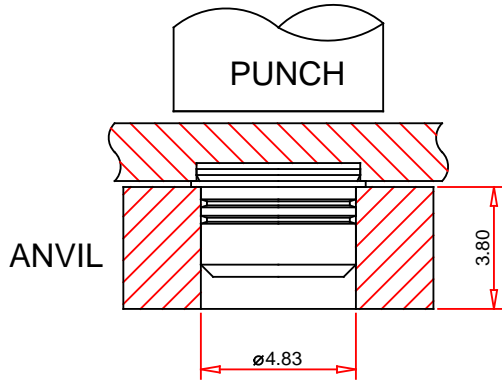


RECOMMENDED  
INSTALLATION  
TOOLING



PEM® "Two Groove" registered trademark

© 2024 PennEngineering

ALL DIMENSIONS IN MILLIMETERS

DATE 10-APR-2024

NOTE : DRAWING NOT TO SCALE

THREAD :	NONE	MOUNTING HOLE DIA. :	5.11 +0.08
MATERIAL :	STAINLESS STEEL	PANEL THICKNESS:	1.8 MIN, 2.0 MAX
HEAT TREAT:	NONE	MAX. PANEL HARDNESS:	HRB 70 / HB 125
FINISH:	NONE	MIN CENTERLINE-TO-EDGE:	3.6

DESCRIPTION :  
MRFS™ Retainer Assembly

PART NO. :  
MRFS-1.2-280



PennEngineering®

EMAIL: TECHSUPPORT@PEMNET.COM  
WWW.PEMNET.COM