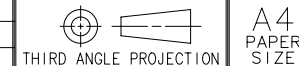
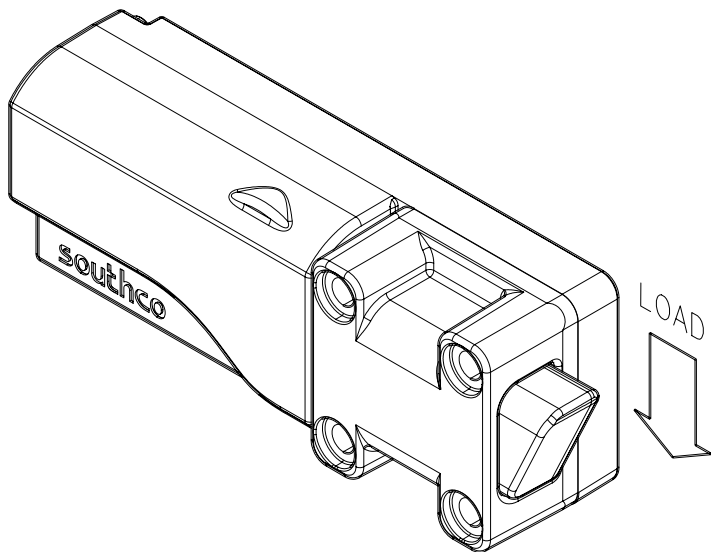


REV	DATE	DRAWN/CHKD	DESCRIPTION



SOUTHCO PERFORMANCE GUIDELINES
 THE PERFORMANCE GUIDELINES SHOWN ON THIS PAGE ARE SUPPLIED AS A GENERAL GUIDE ONLY, AS CONDITIONS VARY WITH EACH APPLICATION AND METHOD OF INSTALLATION. STRENGTH DATA GIVEN IS FOR FAILURE OF THE PRODUCT OR FOR SUFFICIENT DEFORMATION TO MAKE PRODUCT INOPERABLE. NO SAFETY FACTOR HAS BEEN APPLIED IT IS RECOMMENDED THAT THE USER REQUEST A PRODUCT SAMPLE FOR TESTING TO DETERMINE THE SUITABILITY OF THE PRODUCT FOR THE PURPOSE INTENDED AND USER'S PARTICULAR APPLICATION.

**PART NUMBERS: EM-10-2X-310
 EM-10-3X-310**



EM-10-21-310 SHOWN

CYCLE LIFE AT 133 N (30 Lbf.)	MAXIMUM WORKING LOAD	MAXIMUM INSTALLATION TORQUE	ULTIMATE LOAD ON LATCH BOLT
100,000	550 N (125 Lbf.)	M4: 2.27 N m (20 Lbf.-in.) 6/32: 1.67 N m (15 Lbf.-in.)	1950 N (440 Lbf.)

- ① Cycle Life greater than 100K attainable at less than 133 N loads.
- ② 10,000 at -5°C; 10,000 at 45°C 40% RH; 80,000 at 25°C.
- ③ Tested at 9 VDC, Minimum Recommended Input Voltage.

