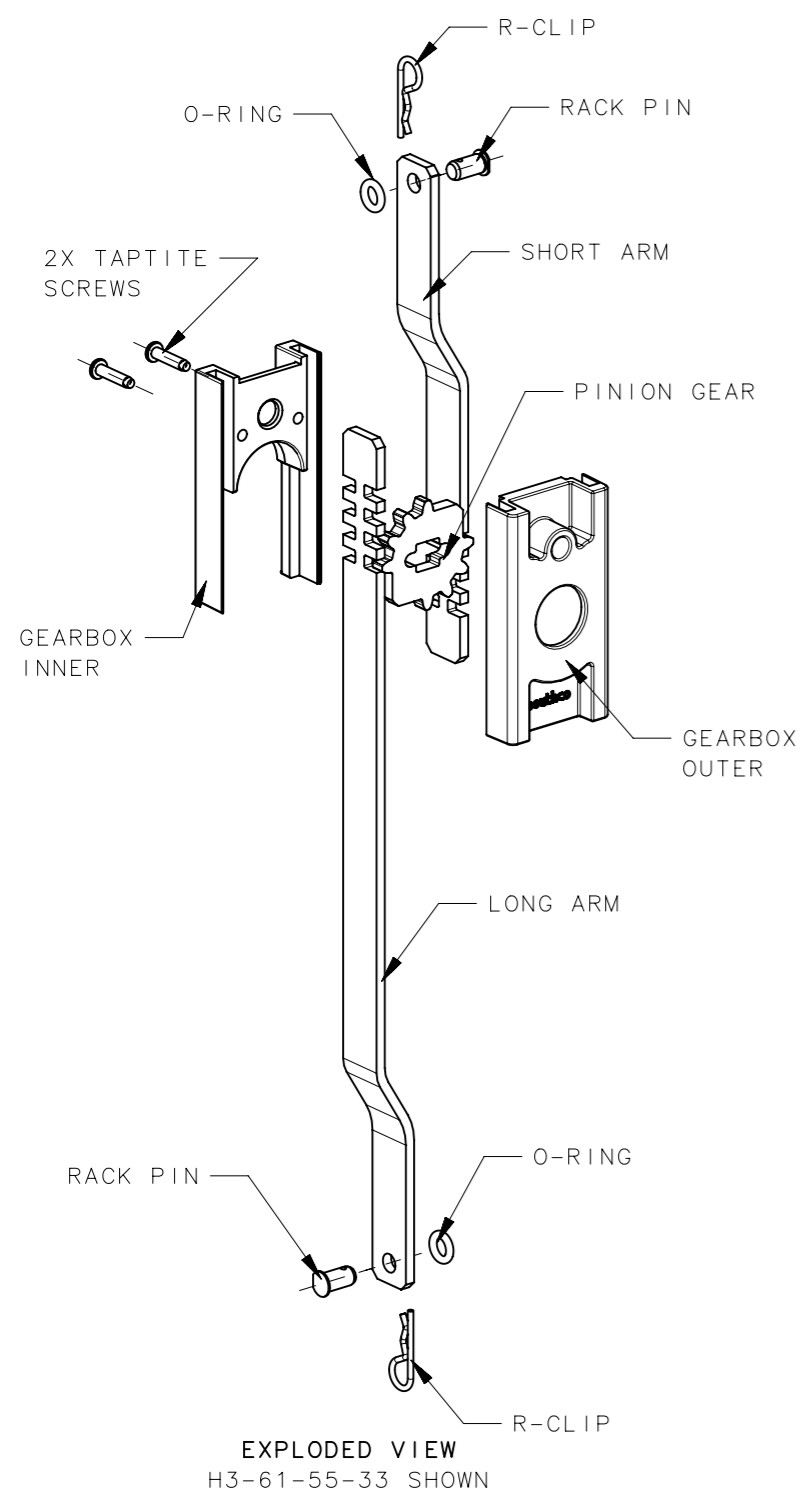
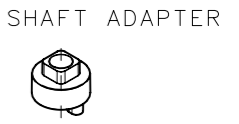
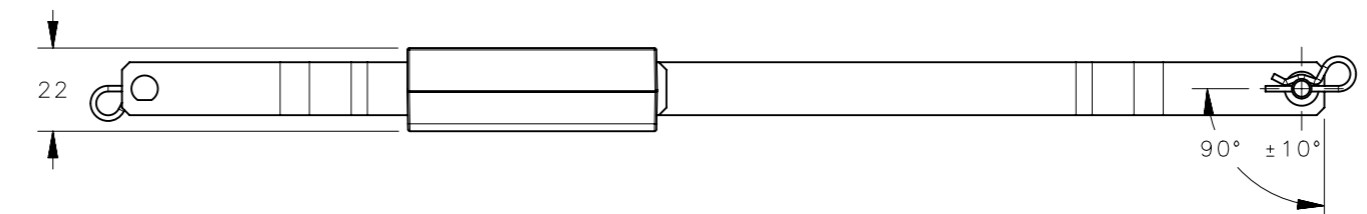
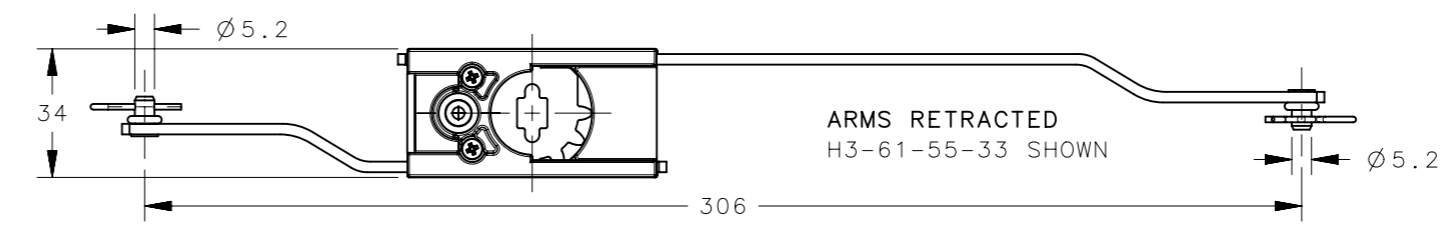
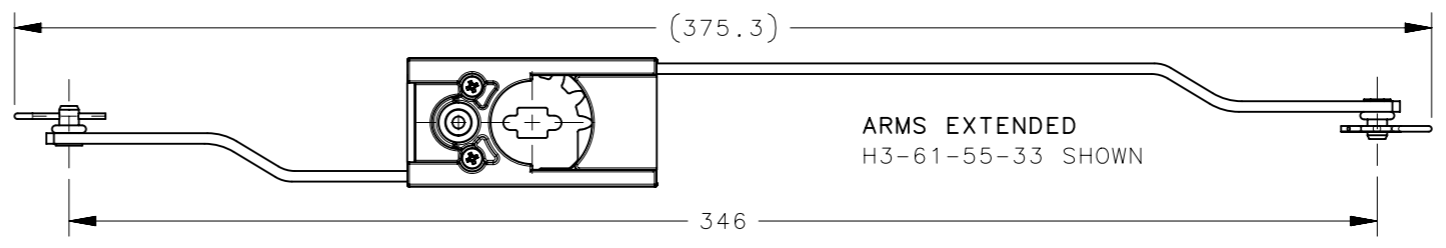
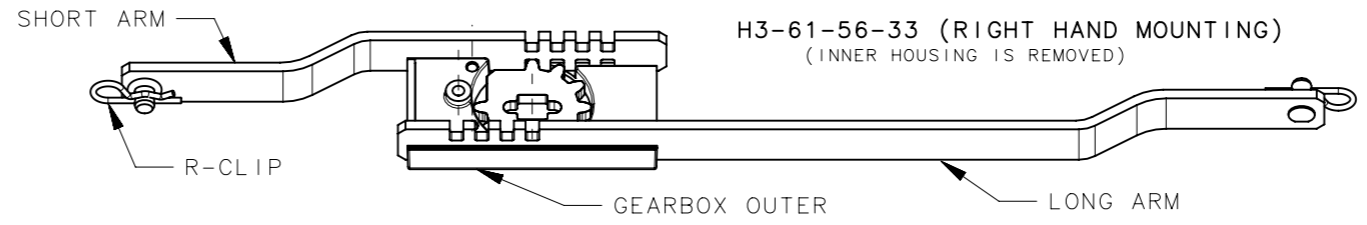


REVISION HISTORY			
REV	DATE	BY	DESCRIPTION
E	21DEC2017	NBK/VK	PRN: P2017-3133

H3-61-55-33 (LEFT HAND MOUNTING)
(INNER HOUSING IS REMOVED)



H3-61-56-33 (RIGHT HAND MOUNTING)
(INNER HOUSING IS REMOVED)

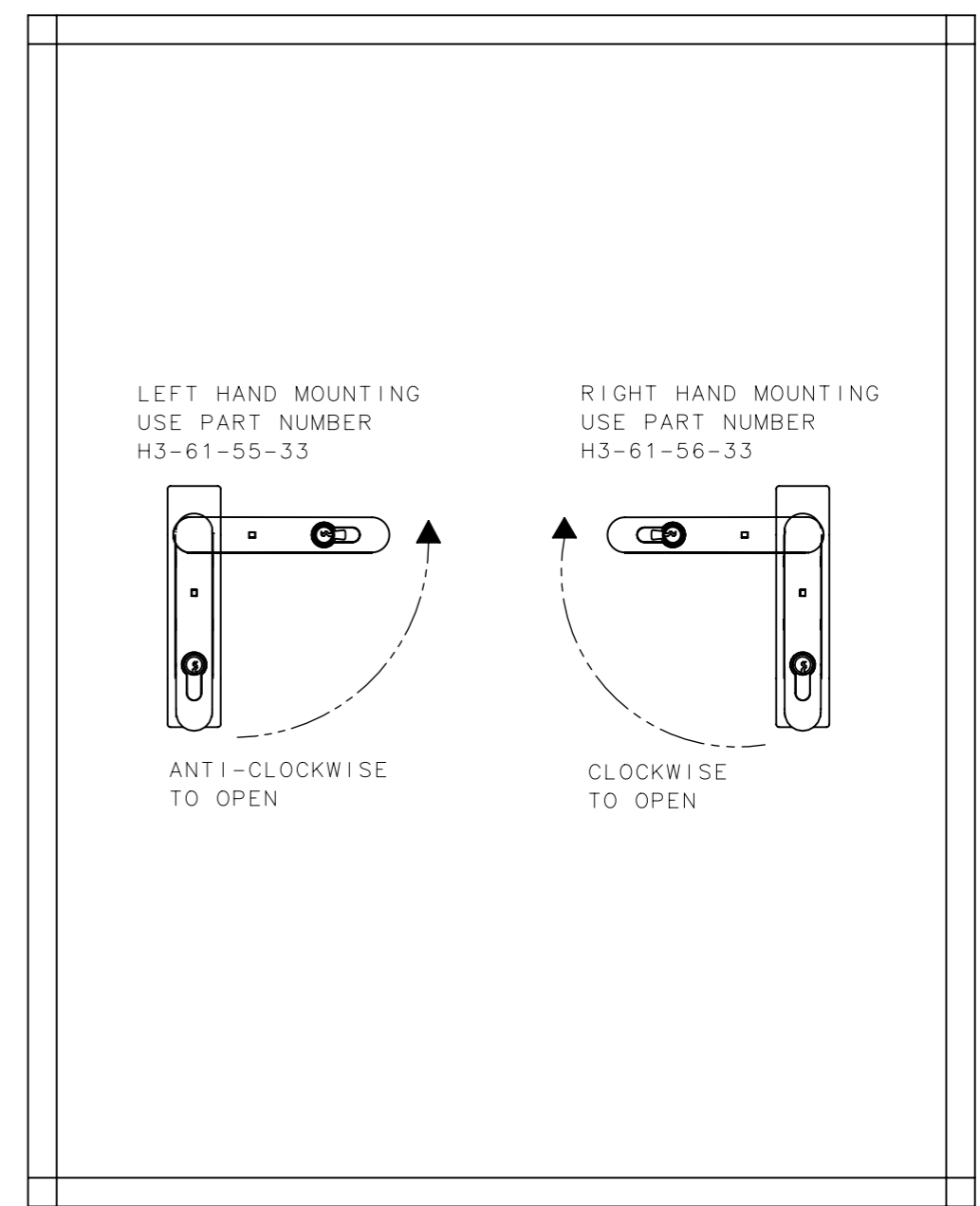
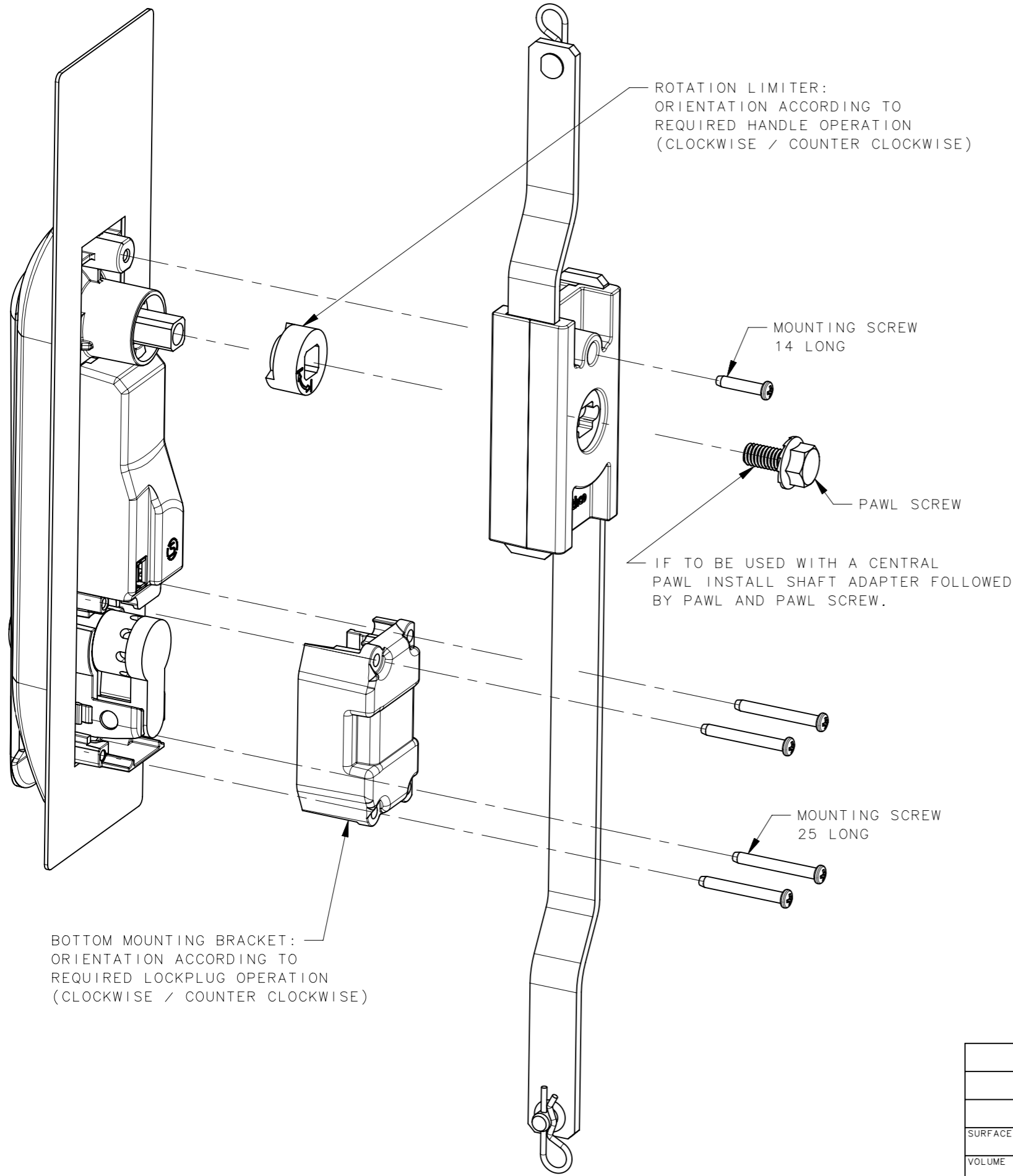


NO.	PART NUMBER	QTY	TYPE OF COMPONENT	MATERIAL	FINISH
11	-	2	RACK PIN	STAINLESS STEEL	PASSIVATED
10	-	2	O-RING	BUNA N	NATURAL
9	-	1	PAWL SCREW	STAINLESS STEEL	PASSIVATED
8	-	1	SHAFT ADAPTER	DIE CAST ZINC	CHROMATE
7	-	1	GEARBOX OUTER	DIE CAST ZINC	CHROMATE
6	-	1	PINION GEAR	STEEL	ZINC PLATE, BRIGHT CHROMATE
5	-	1	LONG ARM	STEEL	ZINC PLATE, BRIGHT CHROMATE
4	-	1	SHORT ARM	STEEL	ZINC PLATE, BRIGHT CHROMATE
3	-	1	GEARBOX INNER	DIE CAST ZINC	CHROMATE
2	-	2	TAPTITE SCREW	STEEL	ZINC PLATE, BRIGHT CHROMATE
1	-	2	R-CLIP	STAINLESS STEEL	PASSIVATED
-	H3-61-5X-33	-	GEARBOX ASSEMBLY	-	-

- NOTES:
- PARTS TO BE SUPPLIED LAYER PACKAGED. SHAFT ADAPTOR AND SCREW TO BE BAGGED.
 - COSMETIC SPECIFICATION:
ALL SURFACES UNLESS OTHERWISE STATED ARE TO CONFORM TO CLASS 'C' DESIGNATION AS DESCRIBED IN SOUTHCO COSMETIC SPECIFICATION S-121
 - LEFT AND RIGHT HAND MOUNTING REFER AS VIEWED FROM THE OUTSIDE OF THE DOOR OR ENCLOSURE. SEE SHEET 2. LEFT HAND TURN HANDLE ANTI-CLOCKWISE TO OPEN RIGHT HAND TURN HANDLE CLOCKWISE TO OPEN.
 - WHEN ASSEMBLING GEARBOX TO LATCH ASSEMBLY ENSURE LATCH IS IN CLOSED POSITION WITH GEARBOX RODS EXTENDED OR LATCH IS IN OPEN POSITION (90°) WITH GEARBOX RODS RETRACTED.
 - FOR ADDITIONAL MOUNTING INFORMATION REFER TO J-H3-EM-60-100
 - GEARBOX AVAILABLE FROM SOUTHCO IN BOTH RIGHT HAND AND LEFT HAND MOUNTING CONFIGURATION. IF GEARBOX NEEDS TO BE RECONFIGURED BETWEEN LEFT AND RIGHT MOUNTING, REMOVE 2 OFF SCREWS AND POSITION GEAR AND ARMS AS SHOWN IN VIEWS SHOWN BELOW TO ENSURE CORRECT OPERATION.

THIRD ANGLE PROJECTION			
MILLIMETERS [IN]			
TOLERANCES UNLESS OTHERWISE NOTED		DESCRIPTION GEARBOX ASSEMBLY	
ALL DIMENSIONS WITHOUT TOLERANCES ARE FOR REFERENCE ONLY.		SIZE A3	SYSTEM NX
PER ASME Y14.5M-1994		DWG NO. J-H3-61-5X-33	DATE 14APR2008
DRAWN BY SKB/MGG		SCALE 1:2	SHEET 1 OF 2

REVISION HISTORY			
REV	DATE	BY	DESCRIPTION
E	21DEC2017	NBK/VK	PRN: P2017-3133



BOTTOM MOUNTING BRACKET:
ORIENTATION ACCORDING TO
REQUIRED LOCKPLUG OPERATION
(CLOCKWISE / COUNTER CLOCKWISE)

ROTATION LIMITER:
ORIENTATION ACCORDING TO
REQUIRED HANDLE OPERATION
(CLOCKWISE / COUNTER CLOCKWISE)

MOUNTING SCREW
14 LONG

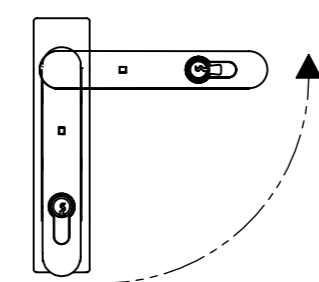
PAWL SCREW

IF TO BE USED WITH A CENTRAL
PAWL INSTALL SHAFT ADAPTER FOLLOWED
BY PAWL AND PAWL SCREW.

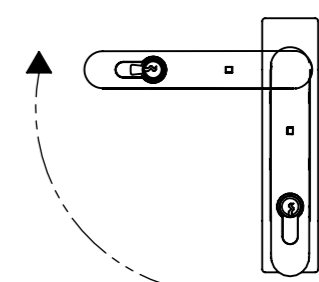
MOUNTING SCREW
25 LONG

LEFT HAND MOUNTING
USE PART NUMBER
H3-61-55-33

RIGHT HAND MOUNTING
USE PART NUMBER
H3-61-56-33



ANTI-CLOCKWISE
TO OPEN



CLOCKWISE
TO OPEN

	THIRD ANGLE PROJECTION	 CONNECT • CREATE • INNOVATE		
	MILLIMETERS [IN]			
SURFACE AREA	TOLERANCES UNLESS OTHERWISE NOTED	DESCRIPTION GEARBOX ASSEMBLY		
VOLUME	ALL DIMENSIONS WITHOUT TOLERANCES ARE FOR REFERENCE ONLY.	SIZE A3	SYSTEM NX	DWG NO. J-H3-61-5X-33
PROPRIETARY ITEM <small>EXCEPT FOR USES EXPRESSLY GRANTED IN WRITING, INFORMATION DISCLOSED HEREON IS CONFIDENTIAL AND ALL RIGHTS, PATENT AND OTHERWISE, ARE RESERVED BY SOUTHCO, INC.</small>	PER ASME Y14.5M-1994	DRAWN BY SKB/MGG	DATE 14APR2008	SCALE 1:2
				SHEET 2 OF 2