

NOTES:

A. CABLE

UL 2464 [24AWG(7/0.20 TC)\*5C]\*1C,  
UNSHIELDED, -30 TO 105°C  
BLACK PVC JACKET

B. WIRE DESIGNATION TABLE

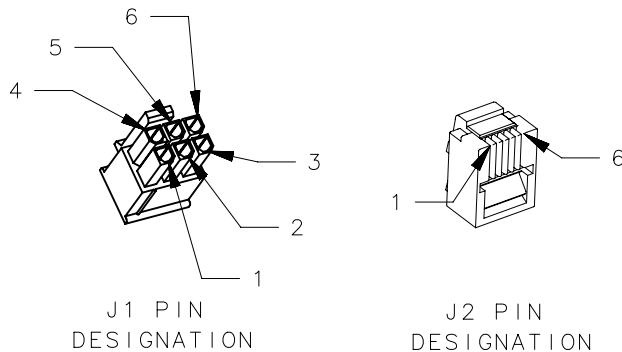
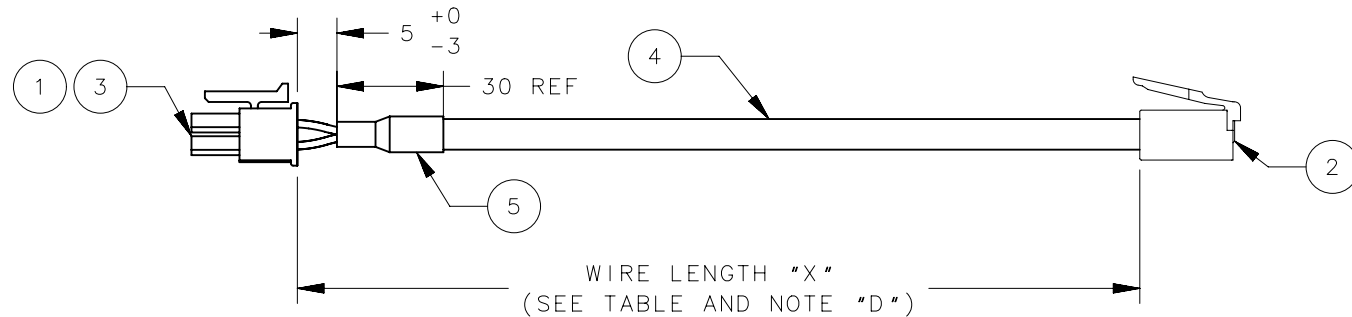
WIRE COLOR	J1	J2
BROWN	1	1
RED	2	2
ORANGE	3	4
YELLOW	4	5
BLACK	6	6
NOT USED	5	3

C. MATERIALS COMPLY WITH RoHS DIRECTIVE.

D. LENGTH MEASURED FROM BACK OF CONNECTOR TO BACK OF CONNECTOR.

REVISION HISTORY			
REV	DATE	BY	DESCRIPTION
B	03NOV2015	DMF/KAM	PRN: P2015-2219

WIRE LENGTH TABLE		
"X"	LENGTH (mm)	TOLERANCE (mm)
1	1000	+50mm-0mm
2	2000	+100mm-0mm
3	3000	+100mm-0mm
4	4000	+150mm-0mm
5	5000	+150mm-0mm



5	HEAT SHRINKABLE TUBING	1	-	BLACK
4	CABLE	-	-	SEE NOTE A
3	CONTACT (J1)	5	MOLEX: 43030-0007 (ALT: C3004TB-A1-GU)	-
2	CONNECTOR (J2)	1	MOLEX: 90075-0031 (ALT: 1A101-6650-A001)	-
1	CONNECTOR (J1)	1	MOLEX: 43025-0600 (ALT: HWT C3030HF-2X3P)	-
-	ASSEMBLY	1	EA-W21-X00-51	-
NO.	COMPONENT	QTY	PART NUMBER	SPECIFICATIONS

THIRD ANGLE PROJECTION		 CONNECT • CREATE • INNOVATE	
MILLIMETERS [IN]			
SURFACE AREA		DESCRIPTION	
VOLUME		WIRE HARNESS	
PROPRIETARY ITEM <small>EXCEPT FOR USES EXPRESSLY GRANTED IN WRITING, INFORMATION DISCLOSED HEREON IS CONFIDENTIAL AND ALL RIGHTS, PATENT AND OTHERWISE, ARE RESERVED BY SOUTHCO, INC.</small>		TOLERANCES UNLESS OTHERWISE NOTED  ALL DIMENSIONS WITHOUT TOLERANCES ARE FOR REFERENCE ONLY.	DWG NO. J-EA-W21-X00-51
PER ASME Y14.5M-1994		SIZE A4	SYSTEM NX
		DRAWN BY BDT/KAM	DATE 29JUN2015
		SCALE 1:1	SHEET 1 OF 1