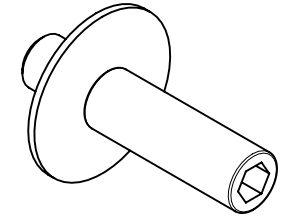
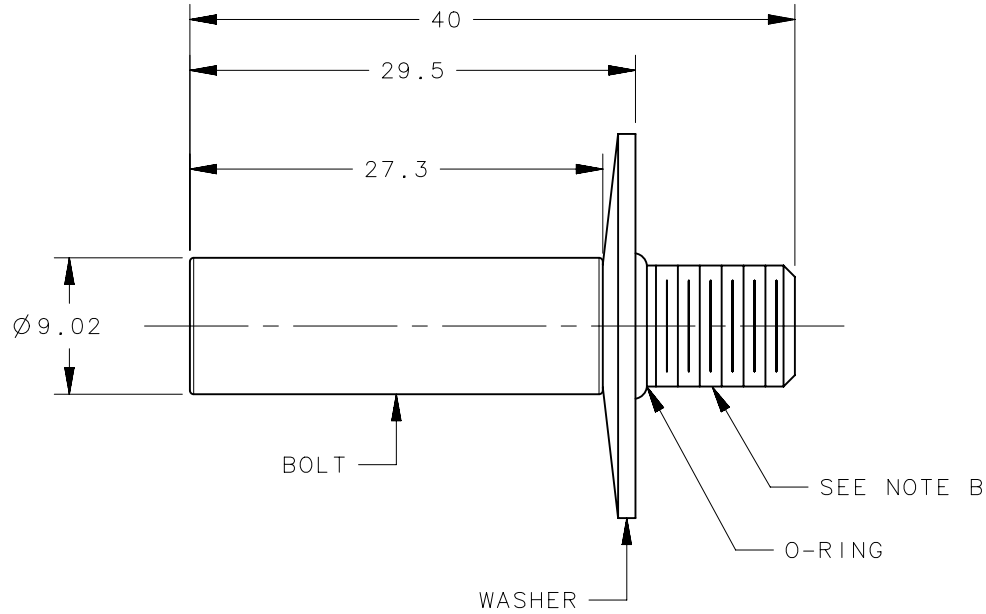
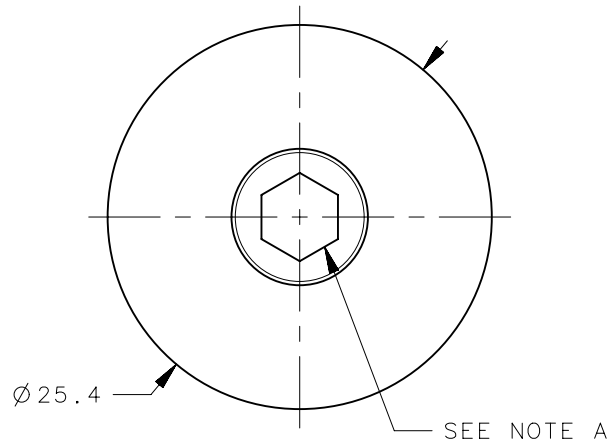


REVISION HISTORY			
REV	DATE	BY	DESCRIPTION
C	27MAY2015	DGJ/CDW	PRN: P2015-0799



SCALE 1:1

MATERIAL/FINISH TABLE		
ASSEMBLY PART NUMBER	BOLT MATERIAL	BOLT FINISH
R4-90-124-10	STEEL	ZINC PLATE, TRIVALENT CHROMATE PASSIVATE
R4-90-124-20	STAINLESS STEEL	PASSIVATED

3	-	1	BOLT	SEE TABLE	SEE TABLE
2	-	1	WASHER	STAINLESS STEEL	PASSIVATE
1	-	1	O-RING	BUNA-N	BLACK
-	R4-90-124-XX	-	ASSEMBLY	SEE MATERIAL/FINISH TABLE	
NO.	PART NUMBER	QTY	TYPE OF COMPONENT	MATERIAL	FINISH

NOTES:

A. 5mm HEXAGON SOCKET RECESS

B. THREAD: M8 X 1.25-6g

THIRD ANGLE PROJECTION		 CONNECT • CREATE • INNOVATE			
MILLIMETERS [IN]					
TOLERANCES UNLESS OTHERWISE NOTED		DESCRIPTION STRIKER			
ALL DIMENSIONS WITHOUT TOLERANCES ARE FOR REFERENCE ONLY.		SIZE A4	SYSTEM NX	DWG NO. J-R4-90-124	
PROPRIETARY ITEM <small>EXCEPT FOR USES EXPRESSLY GRANTED IN WRITING, INFORMATION DISCLOSED HEREON IS CONFIDENTIAL AND ALL RIGHTS, PATENT AND OTHERWISE, ARE RESERVED BY SOUTHCO, INC.</small>		DRAWN BY DGJ/BGL	DATE 03OCT2014	SCALE 2:1	SHEET 1 OF 1
PER ASME Y14.5M-1994					