

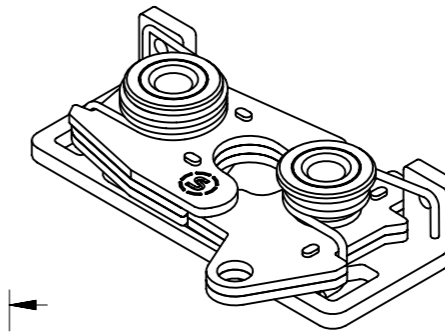
R4-30-3 I-50 B-M

REVISION HISTORY			
REV	DATE	BY	DESCRIPTION
J	27OCT2022	JTT/ASM	PRN: P2022-1906

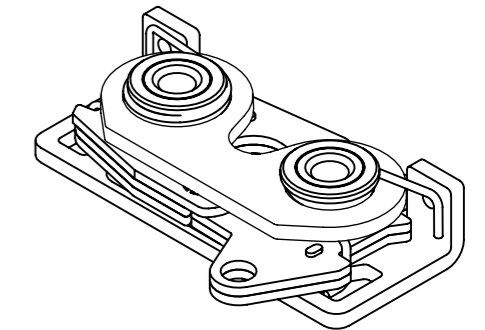
I MOUNTING OPTION
 0 6.7 mm THRU HOLE
 1 1/4-20 THREAD
 2 M6 THREAD

B BASE STYLE
 1 STANDARD
 2 INTEGRATED CABLE BRACKET LONG (SEE SHEET 2)
 3 INTEGRATED CABLE BRACKET SHORT (SEE SHEET 2)
 5 INTEGRATED BUMPER
 6 INTEGRATED BUMPER & CABLE BRACKET LONG (SEE SHEET 2)
 7 INTEGRATED BUMPER & CABLE BRACKET SHORT (SEE SHEET 2)

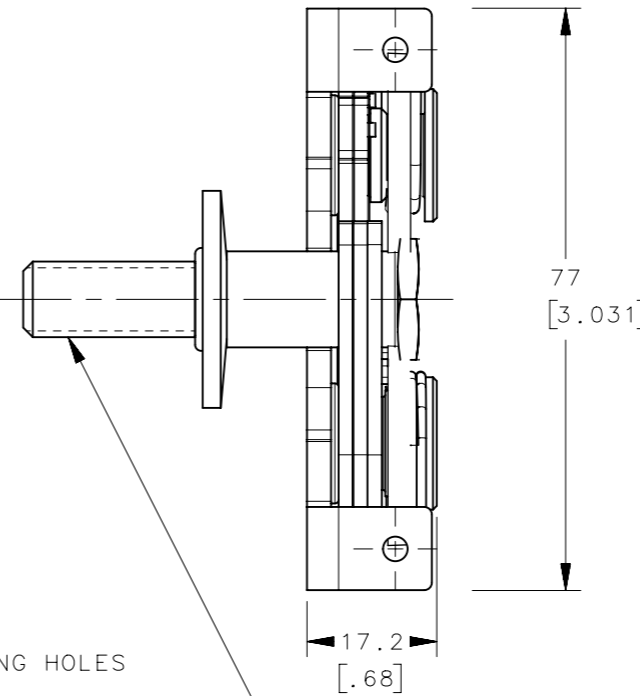
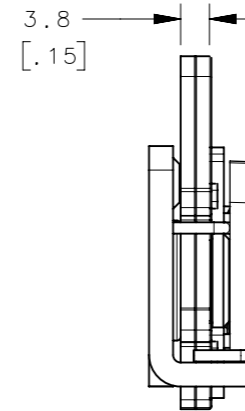
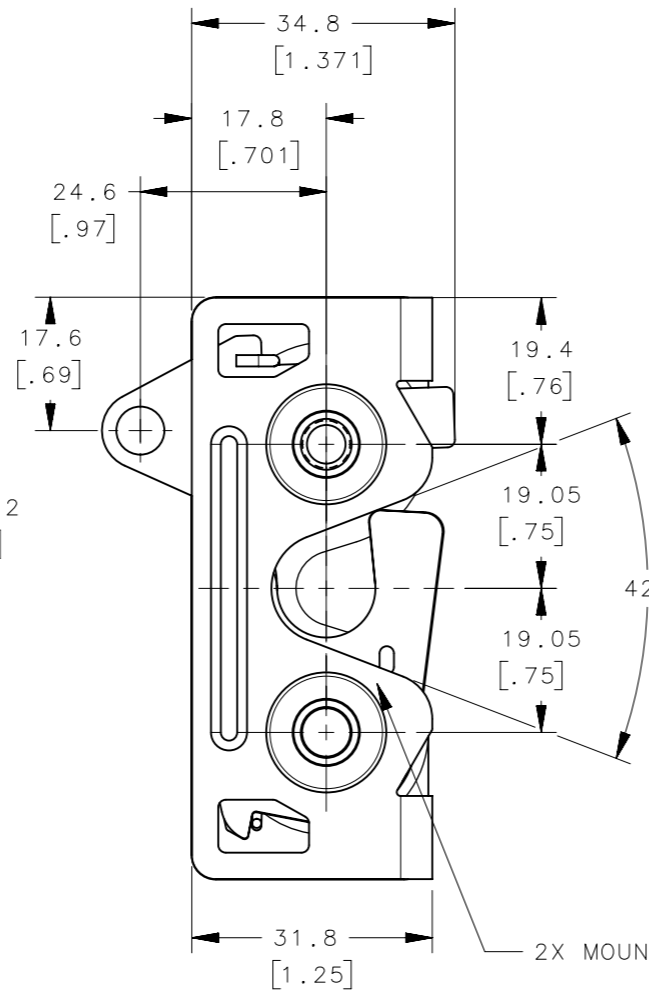
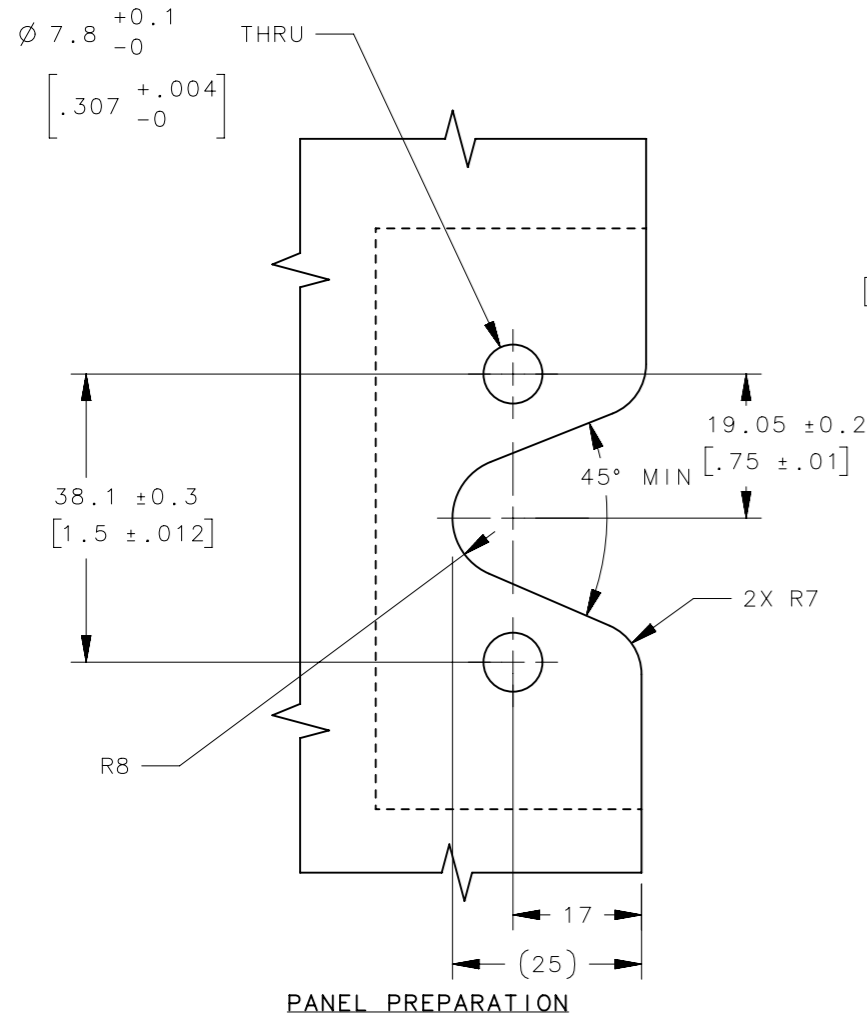
M MATERIAL
 20 STAINLESS STEEL, PASSIVATED



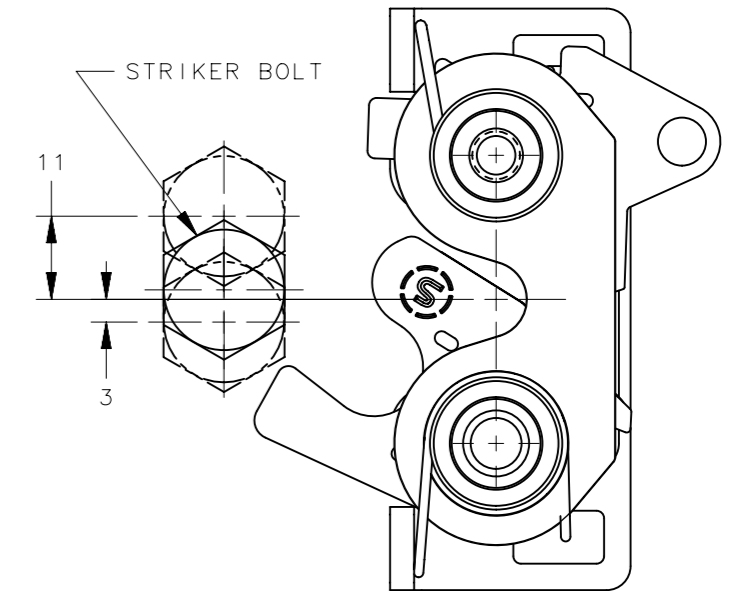
R4-30-3 I-501-20
(STANDARD)



R4-30-3 I-505-20
(INTEGRATED BUMPER)



STRIKER BOLT ASSEMBLY
(SOLD SEPARATELY)
SEE J-R4-90-321
FOR DETAILS



MISALIGNMENT VIEW
(SEE NOTE B)

NOTES:

A. MATERIAL AND FINISH:

- HOUSING, LEVER, BRACKET AND INTERNAL COMPONENTS : STAINLESS STEEL, PASSIVATED
- PAWL AND TRIGGER: STAINLESS STEEL, PASSIVATED
- SPRING: STAINLESS STEEL, PASSIVATED

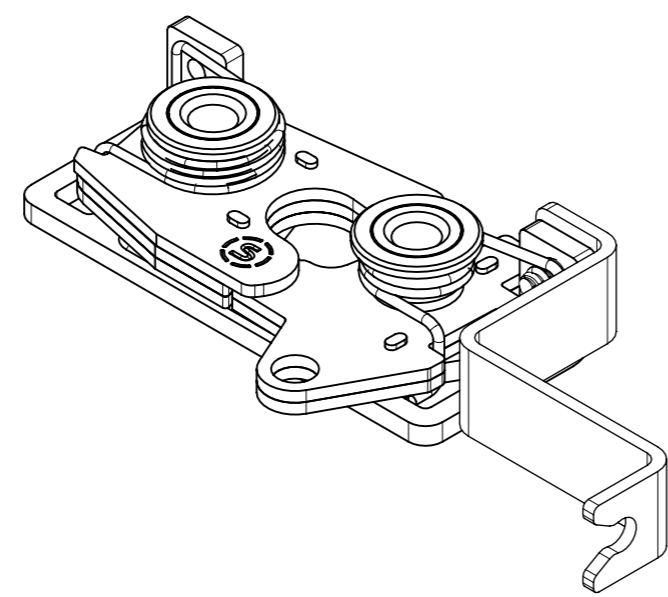
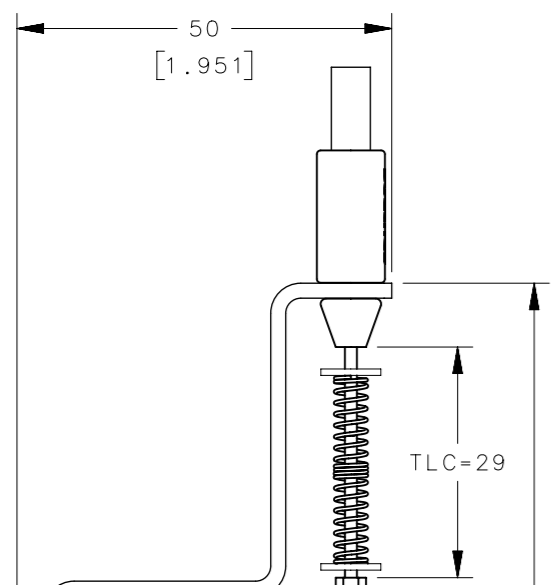
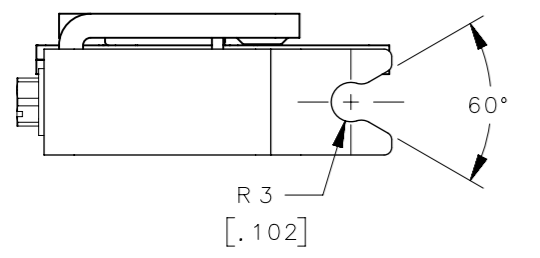
B. THE MISALIGNMENT VIEW ASSUMES THE LATCH IS CONNECTED TO A PERFECTLY RIGID DOOR AND HINGE; THEREFORE, THERE IS NO DOOR AND/OR HINGE SLACK ASSOCIATED WITH THESE DIMENSIONS, THE MISALIGNMENT VIEW DOES NOT TAKE FLEXING OF THE STRIKER BOLT INTO ACCOUNT.

	THIRD ANGLE PROJECTION	 CONNECT • CREATE • INNOVATE	
	MILLIMETERS [IN]		
SURFACE AREA	TOLERANCES UNLESS OTHERWISE NOTED	DESCRIPTION	
VOLUME	ALL DIMENSIONS WITHOUT TOLERANCES ARE FOR REFERENCE ONLY.	R4 LATCH ASSEMBLY - BOTTOM PULLBACK RIGHT HAND ACTUATION STAINLESS STEEL	
PROPRIETARY ITEM	PER ASME Y14.5M-1994	SIZE	DWG NO.
EXCEPT FOR USES EXPRESSLY GRANTED IN WRITING, INFORMATION DISCLOSED HEREON IS CONFIDENTIAL AND ALL RIGHTS, PATENT AND OTHERWISE, ARE RESERVED BY SOUTHCO, INC.		A3	NX
		DRAWN BY	DATE
		YK/ACH	14OCT2014
		SCALE	SHEET
		1:1	1 OF 2

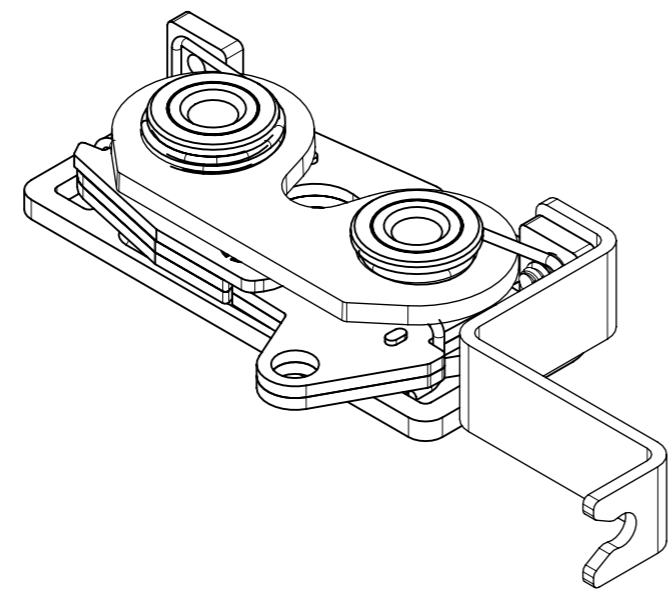
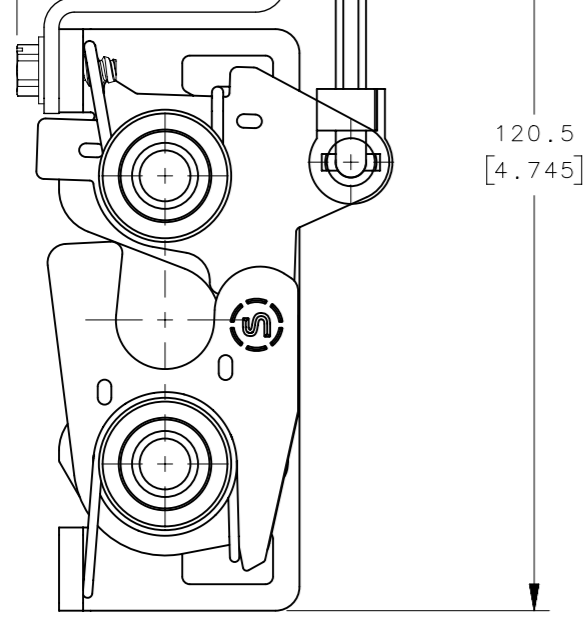
REVISION HISTORY			
REV	DATE	BY	DESCRIPTION
J	27OCT2022	JTT/ASM	PRN: P2022-1906

LONG BRACKET

TO MOUNT CABLE WITH SPRING ON ROTARY LATCH END



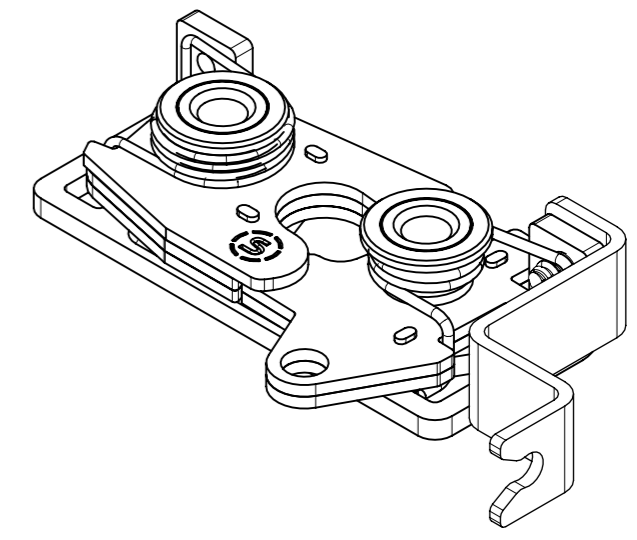
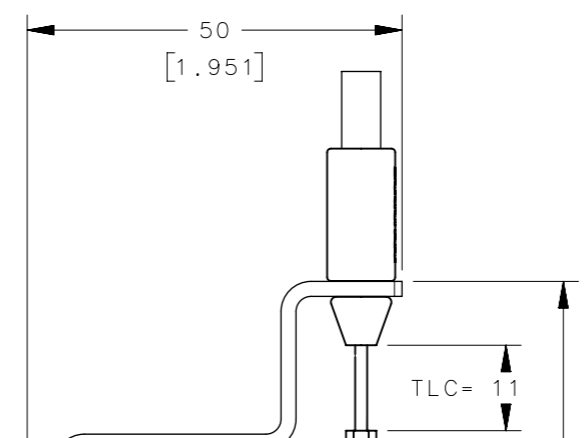
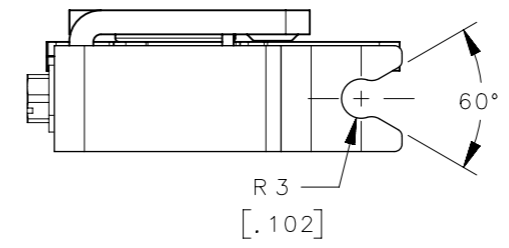
R4-30-31-502-20
(INTEGRATED LONG BRACKET)



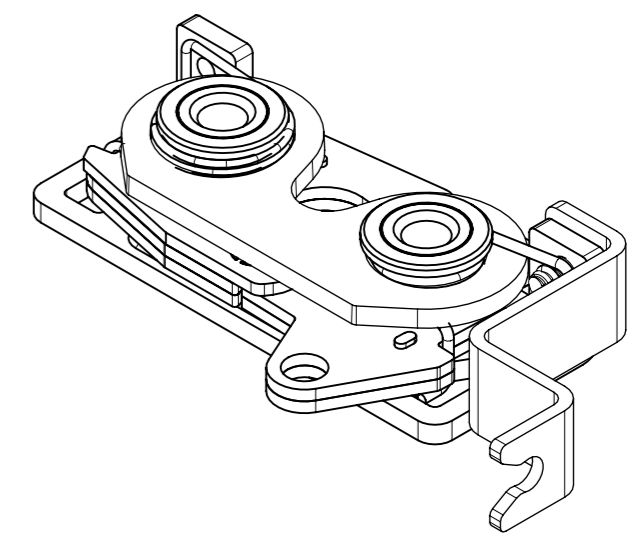
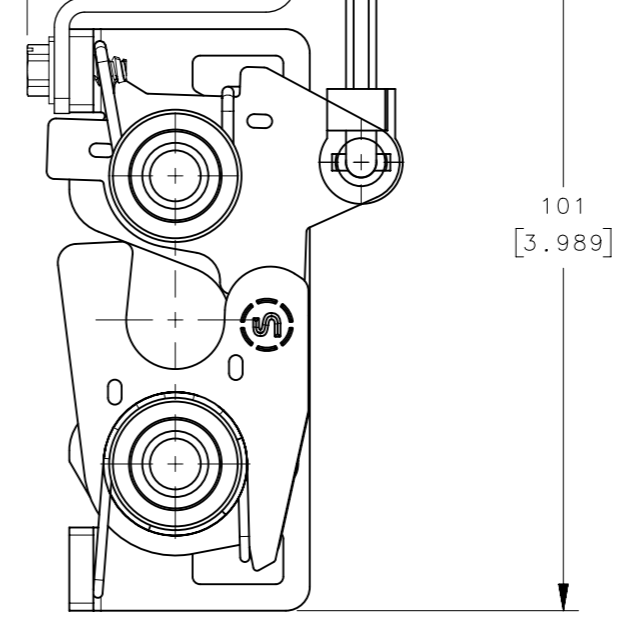
R4-30-31-506-20
(INTEGRATED LONG BRACKET & BUMPER)

SHORT BRACKET

TO MOUNT CABLE WITH NO SPRING ON ROTARY LATCH END



R4-30-31-503-20
(INTEGRATED SHORT BRACKET)



R4-30-31-507-20
(INTEGRATED SHORT BRACKET & BUMPER)

CPB NUMBER	THIRD ANGLE PROJECTION		
	MILLIMETERS [IN]		
SURFACE AREA	TOLERANCES UNLESS OTHERWISE NOTED	DESCRIPTION	
VOLUME	ALL DIMENSIONS WITHOUT TOLERANCES ARE FOR REFERENCE ONLY.	R4 LATCH ASSEMBLY - BOTTOM PULLBACK RIGHT HAND ACTUATION STAINLESS STEEL	
PROPRIETARY ITEM	PER ASME Y14.5M-1994	SIZE A3	SYSTEM NX
EXCEPT FOR USES EXPRESSLY GRANTED IN WRITING, INFORMATION DISCLOSED HEREON IS CONFIDENTIAL AND ALL RIGHTS, PATENT AND OTHERWISE, ARE RESERVED BY SOUTHCO, INC.		DWG NO. J-R4-30-30-501-20	
		DRAWN BY YK/ACH	DATE 14OCT2014
		SCALE 1:1	SHEET 2 OF 2