

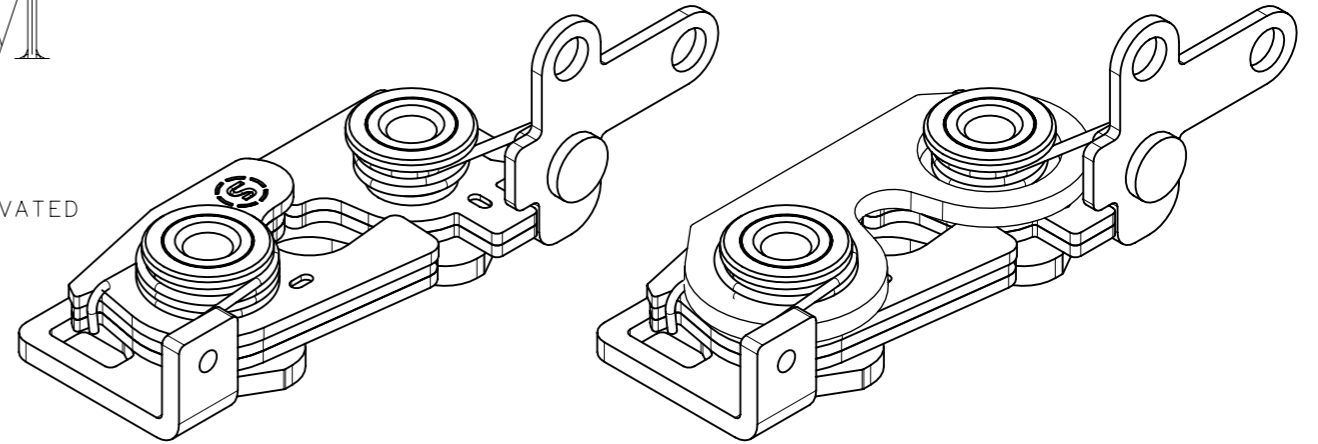
R4-30-4 I -30 B-M

REVISION HISTORY			
REV	DATE	BY	DESCRIPTION
D	07APR2021	ABK/VK	PRN: P2021-0655

- I** MOUNTING OPTION
 0 6.7 mm THRU HOLE
 1 1/4-20 THREAD
 2 M6 THREAD

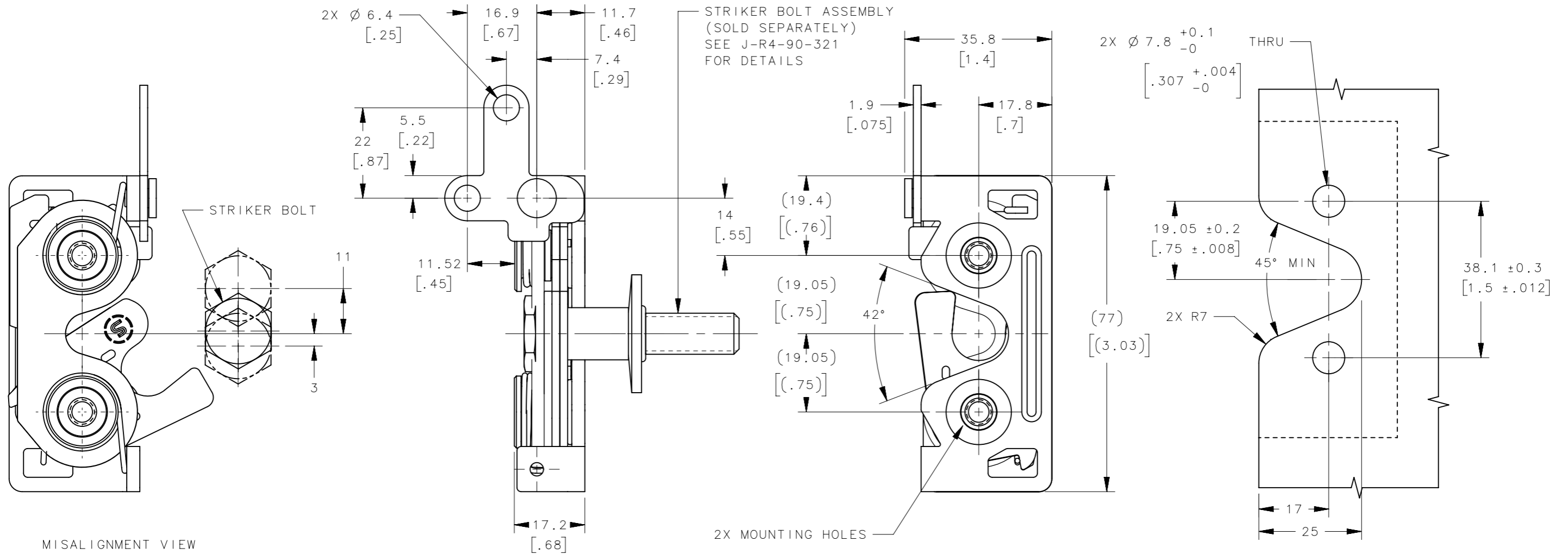
- B** LATCHING
 1 STANDARD
 5 INTEGRATED BUMPER

- M** MATERIAL
 20 STAINLESS STEEL, PASSIVATED



R4-30-4 I-301-20
(STANDARD)

R4-30-4 I-305-20
(INTEGRATED BUMPER)



NOTES: (SEE NOTE B)

A. MATERIAL AND FINISH:

- HOUSING, LEVER AND INTERNAL COMPONENTS: STAINLESS STEEL, PASSIVATED
- PAWL AND TRIGGER: STAINLESS STEEL, PASSIVATED
- SPRING: STAINLESS STEEL, PASSIVATED

B. THE MISALIGNMENT VIEW ASSUMES THE LATCH IS CONNECTED TO A PERFECTLY RIGID DOOR AND HINGE; THEREFORE, THERE IS NO DOOR AND/OR HINGE SLACK ASSOCIATED WITH THESE DIMENSIONS, THE MISALIGNMENT VIEW DOES NOT TAKE FLEXING OF THE STRIKER BOLT INTO ACCOUNT.

THIRD ANGLE PROJECTION				southco [®] CONNECT • CREATE • INNOVATE	
MILLIMETERS [IN]					
TOLERANCES UNLESS OTHERWISE NOTED		DESCRIPTION R4 LATCH ASSEMBLY - TWO POINT LEFT HAND ACTUATION STAINLESS STEEL			
ALL DIMENSIONS WITHOUT TOLERANCES ARE FOR REFERENCE ONLY.		SIZE A3	SYSTEM NX	DWG NO. J-R4-30-40-301-20	
PER ASME Y14.5M-1994		DRAWN BY YK/ACH	DATE 14OCT2014	SCALE 1:1	SHEET 1 OF 1